

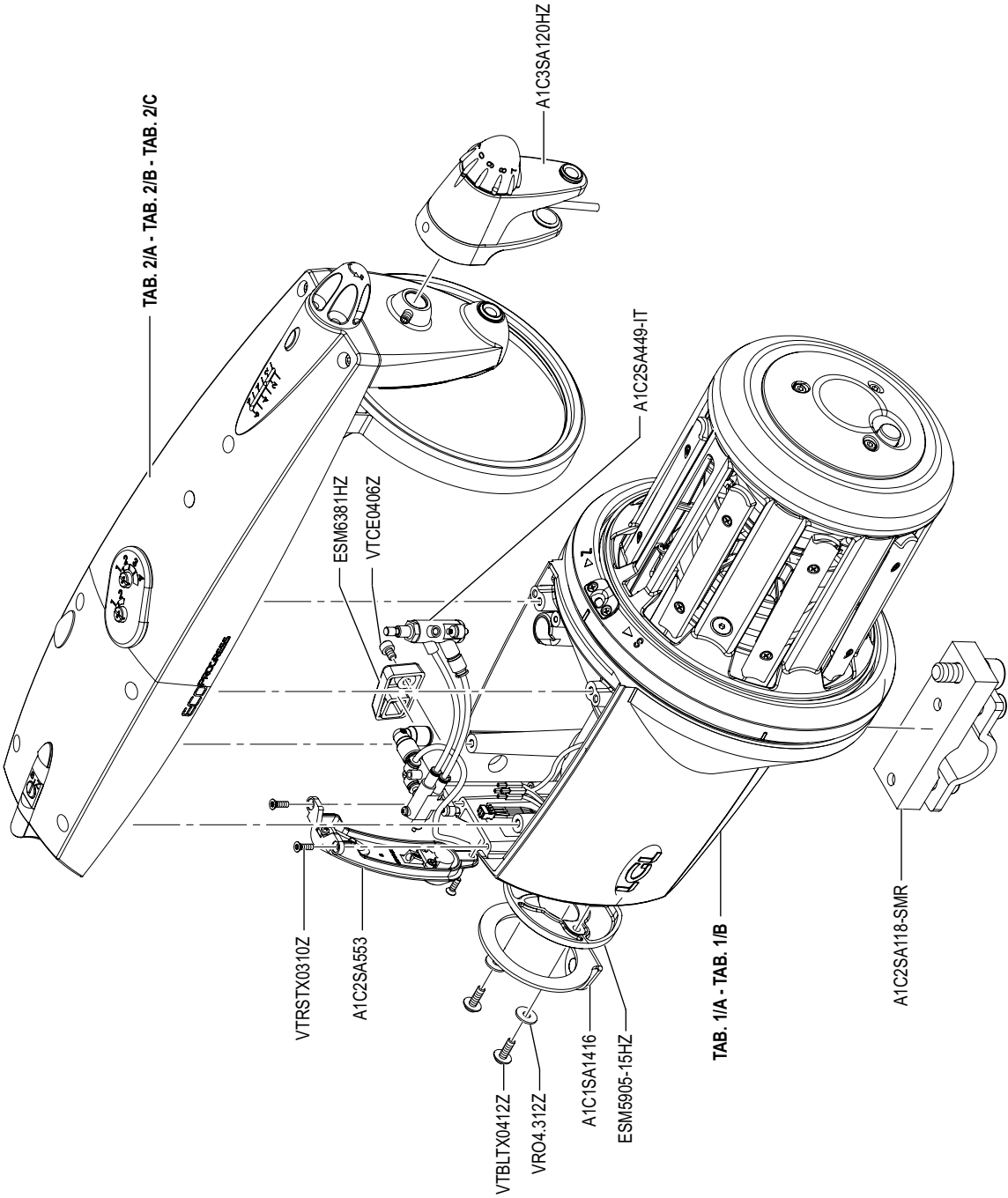


Rev. 0
12/22

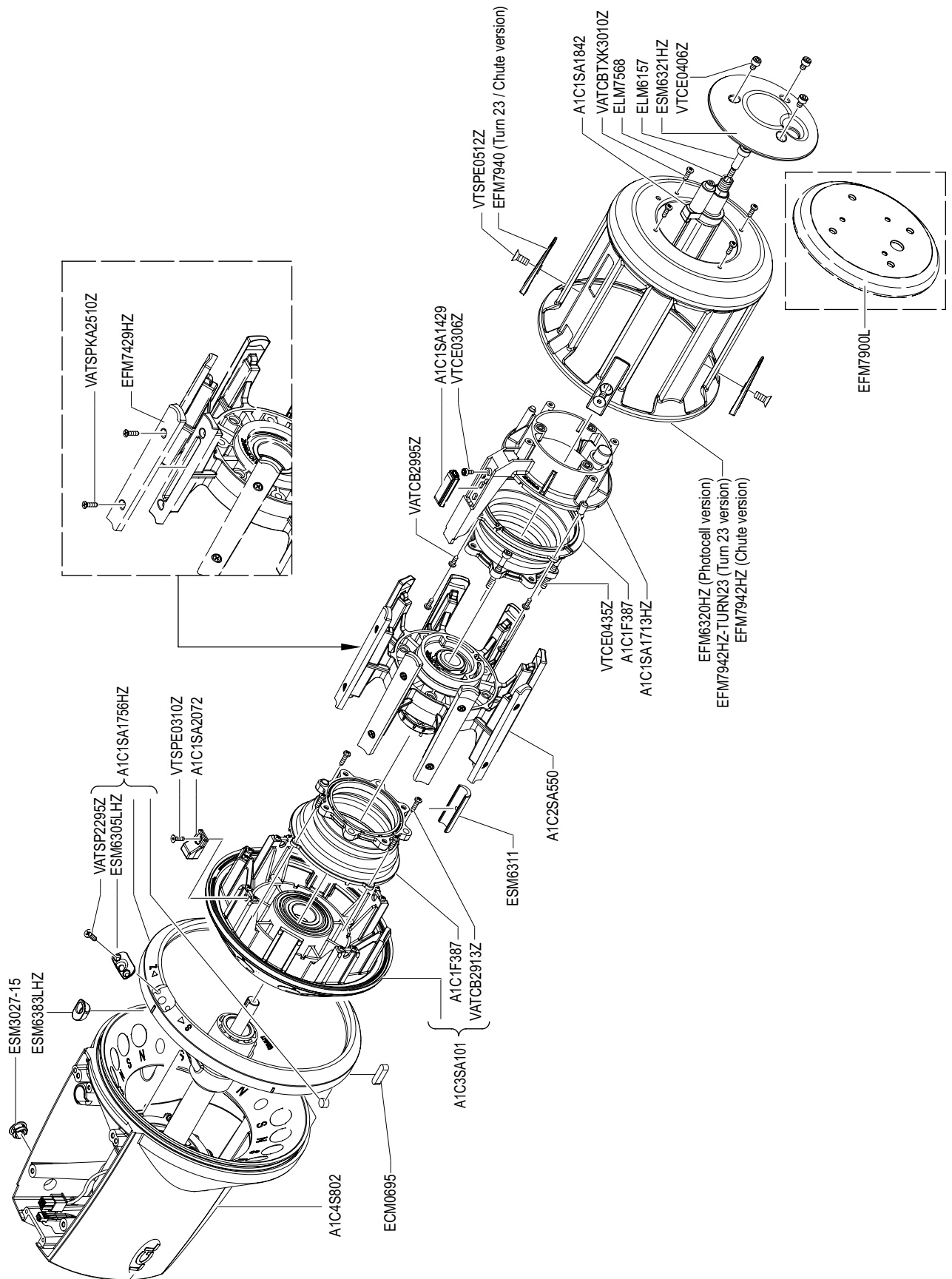
ECO PROGRESS

SPARE PARTS

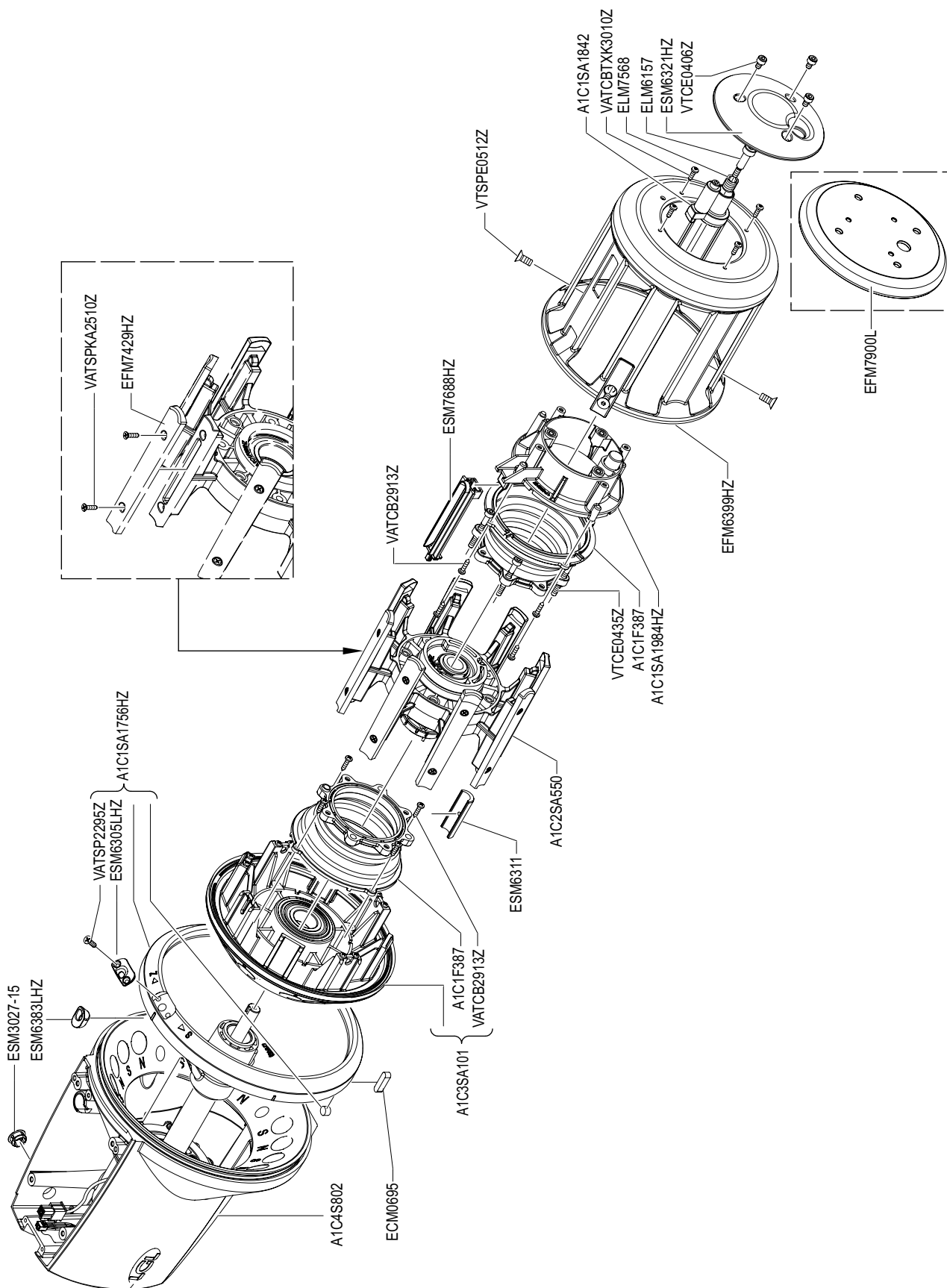
EXPLODED VIEW - TAB. 0



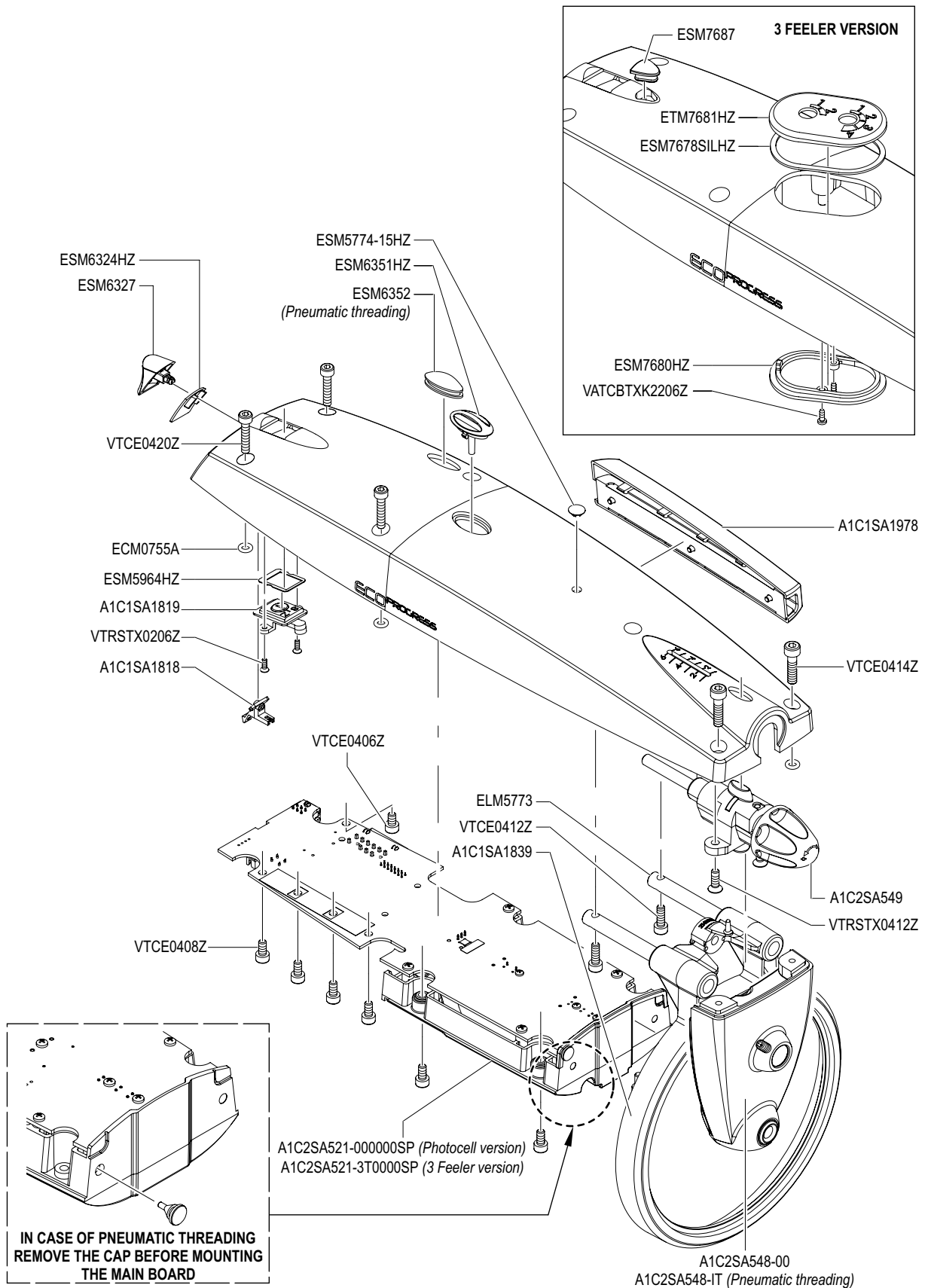
EXPLODED VIEW - TAB. 1/A - PHOTOCELL VERSION



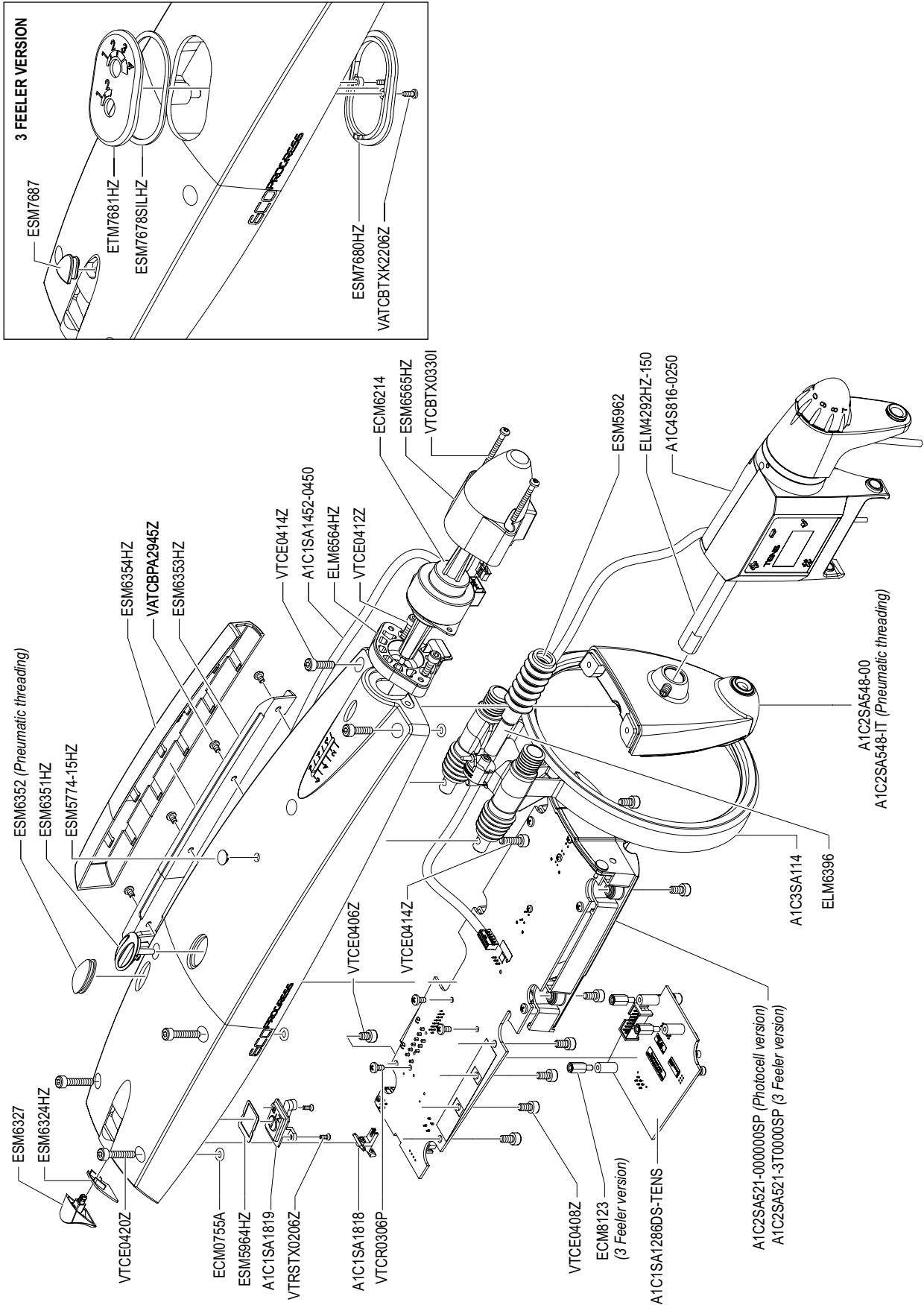
EXPLODED VIEW - TAB. 1/B - 3 FEELER VERSION



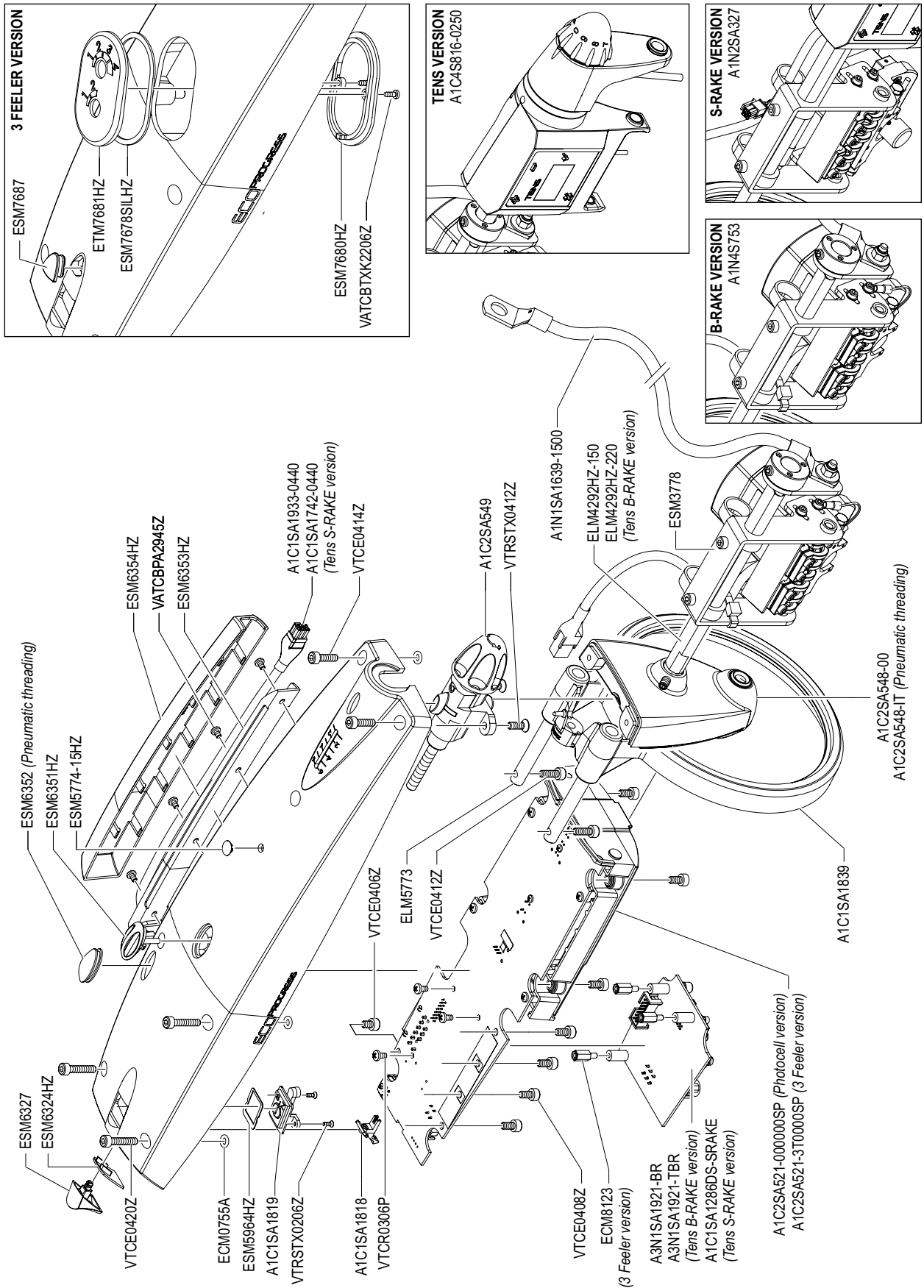
EXPLODED VIEW - TAB. 2/A - PHOTOCELL AND 3 FEELER VERSION



EXPLODED VIEW - TAB. 2/B - TENS VERSION



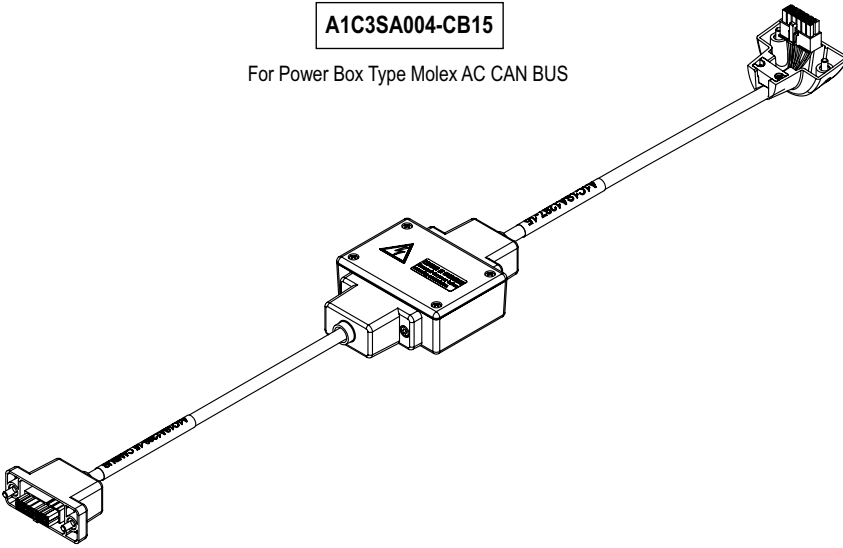
EXPLODED VIEW - TAB. 2/C - B-RAKE / S-RAKE VERSION



EXPLODED VIEW - TAB. 3 - CABLES

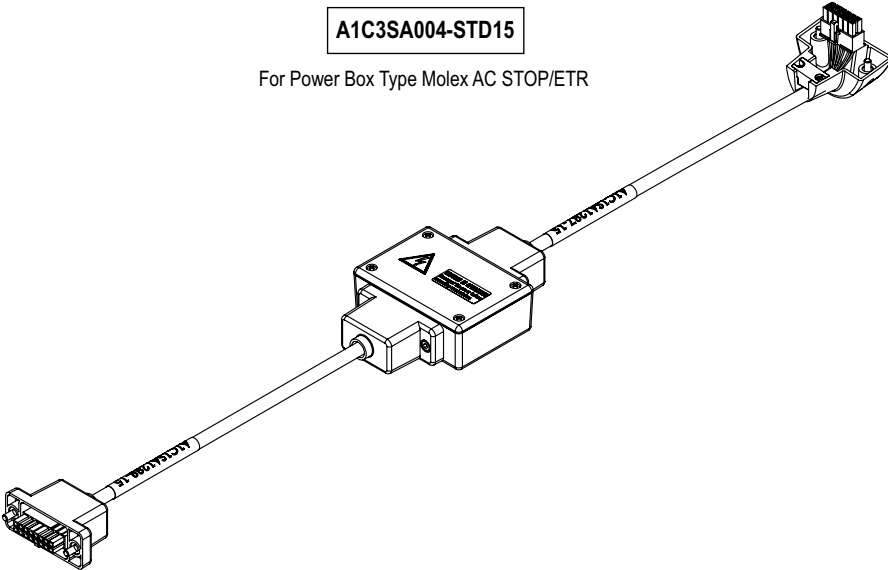
A1C3SA004-CB15

For Power Box Type Molex AC CAN BUS



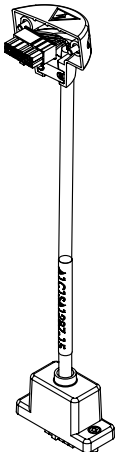
A1C3SA004-STD15

For Power Box Type Molex AC STOP/ETR



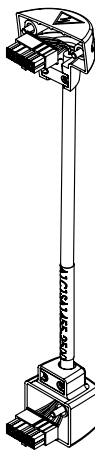
A1C1SA1287-15

For DC Power Box
code:
A3N2SA180
A3N2SA113-PC
A3N3SA040ST



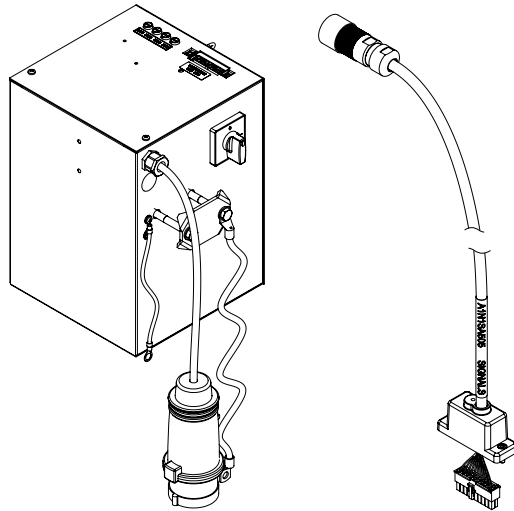
A1C1SA1455-2500

For DC Power Box
code:
A3N7S007xxxxxxx
and
A3N7S008xxxxxxx series



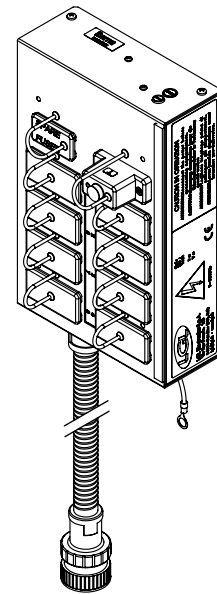
EXPLODED VIEW - TAB. 4

AC



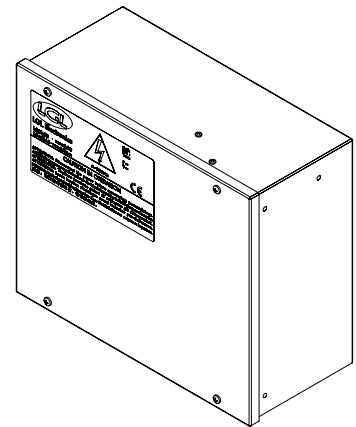
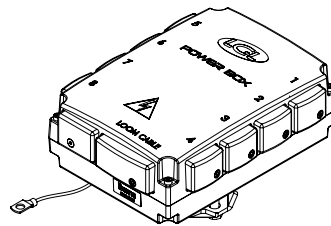
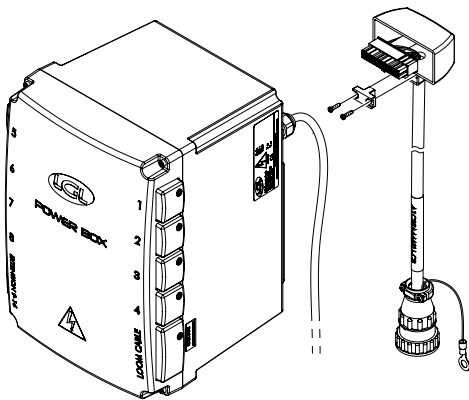
CUSTOMER	POWER BOX	SIGNAL CABLE	
DORNIER	A3N2S877-TT	A1N1SA505	
ITEMA	A3N2S883-TT	A1N1SA517	CAN BUS
	A3N2SA269-FA-TT	A1N1SA1341	NCP - ALPHA
	A3N2SA269-FA-TT	A1N1SA1113	NCP - R9500/SILVER 501
SULTEX	A3N2S908TT	A1N1SA567	
SMIT	A3N2S899-TT	A1N1SA552	

DC



CUSTOMER	POWER BOX	SIGNAL CABLE
ITEMA	A3N2SA180	INCLUDED IN POWER BOX
PICANOL	A3N2SA113-PC	A1N1SA374
SMIT	A3N3SA040-ST	A1N1SA552

DC NEW VERSION

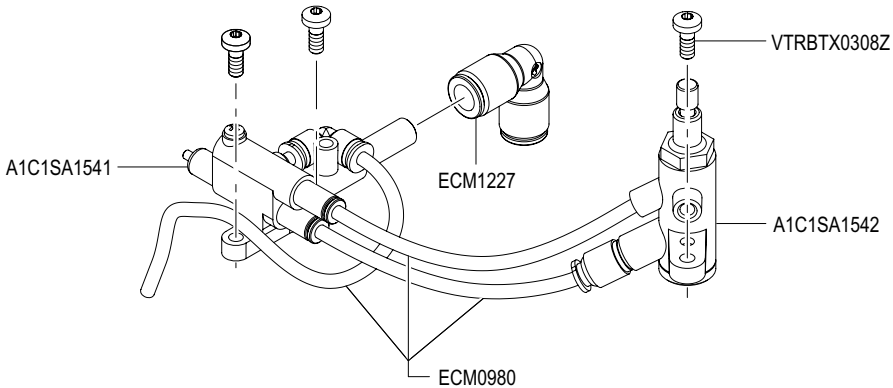


CUSTOMER	POWER BOX CAN BUS (UP TO 8 FEEDERS)	POWER BOX CAN BUS (UP TO 16 FEEDERS)	SIGNAL CABLE CAN BUS	POWER BOX ETR	SIGNAL CABLE ETR
DORNIER	A3N7S007UNCB0DO	A3N7S007UNCB0DO + A3N7S007EXT-CB	SUPPLIED BY DORNIER - CAP FOR SIGNAL: A1C1SA1548-11		
PICANOL	A3N7S007SMALLPC	A3N7S007PC + A3N7S007EXT-CB	A1C2SA446PC-CB CAP FOR SIGNAL CABLE: A1C1SA1548		
SULTEX	A3N7S007UNCB0SU		A1C2SA446SU-CB		
ITEMATECH	A3N7S007UNCBAPT		SUPPLIED BY ITEMATECH	A3N7S007UNETR00	A1C2SA446PT-ET12
ITEMA	A3N7S007SMALLPR	A3N7S007PR + A3N7S007EXT-CB	A1C2SA446PR-CBPW		
SMIT	A3N7S007UNCB0ST		A1C2SA446ST-CB	A3N7S008HZ00008	A1C2SA446ST-ET08

EXPLODED VIEW - TAB. 5

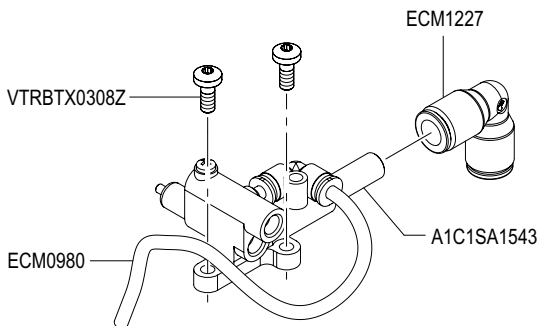
A1C2SA449-IT

COMPLETE PNEUMATIC THREADING



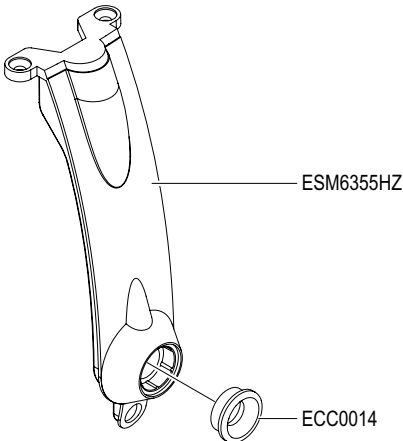
A1C2SA449-IP

PARTIAL BACK PNEUMATIC THREADING



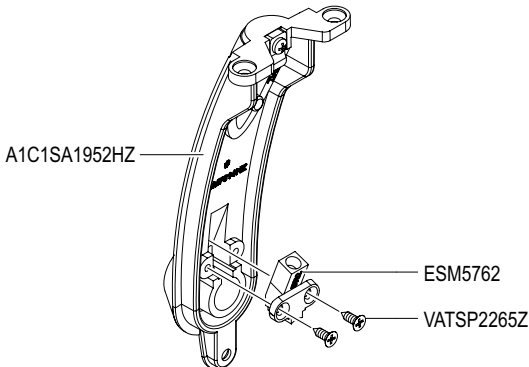
A1C1SA1715HZ

INPUT BRACKET WITHOUT PNEUMATIC THREADING



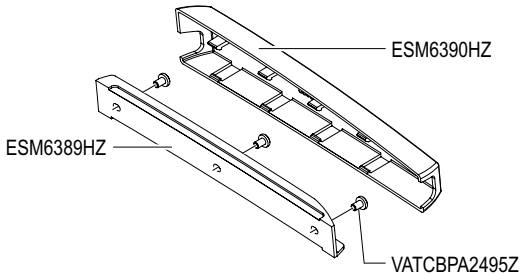
A1C2SA553

INPUT BRACKET WITH PNEUMATIC THREADING

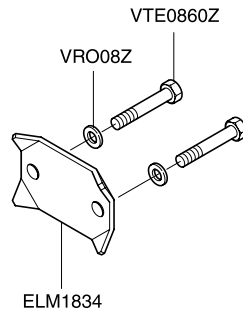


A1C1SA1978

COVER FOR EXTERNAL CABLE

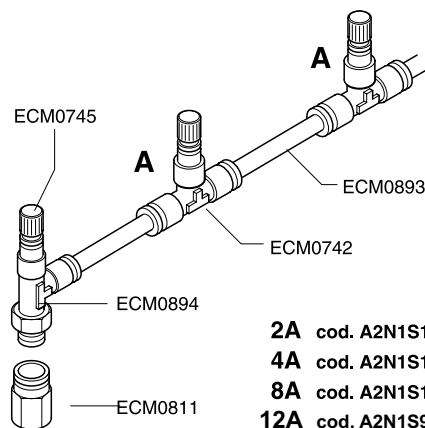


EXPLODED VIEW - TAB. 6



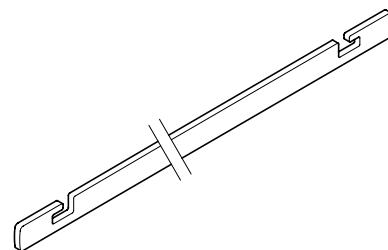
A2N1S285HZ

Kit montaggio cassetta elettrica d'alimentazione
 Power control box installation kit
 Kit de montage boîte électrique d'alimentation
 Befestigungskit Stromversorgungskasten
 Kit de montaje caja eléctrica de alimentación



Kit per infilaggio pneumatico
 Kit for pneumatic threading
 Kit pour enfilage pneumatique
 Kit für pneumatisches Einfädeln
 Kit para enhebrado neumático

2A cod. A2N1S166
4A cod. A2N1S151
8A cod. A2N1S152
12A cod. A2N1S920



Passetta
 Weft taker
 Passette
 Einfädler
 Gancho de enhebrado

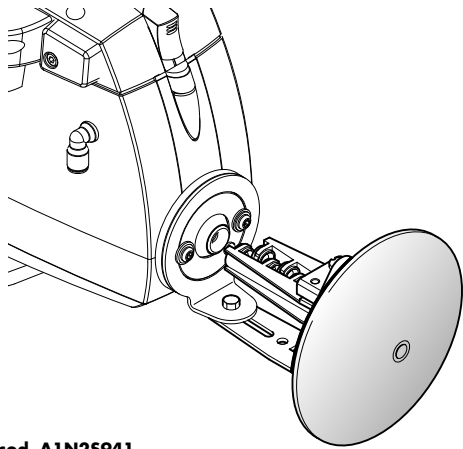
cod. ESM1224A



Rev. 0
12/22

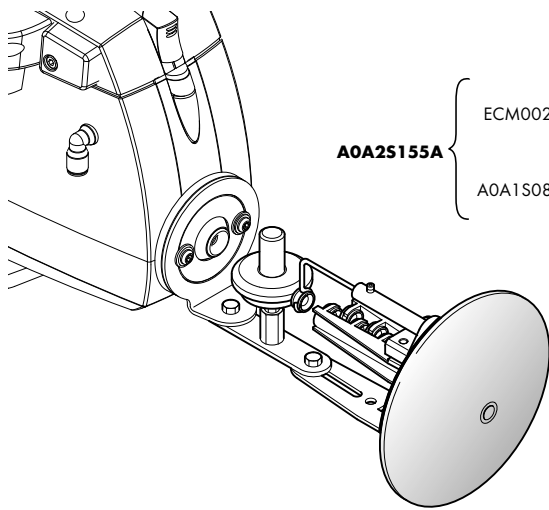
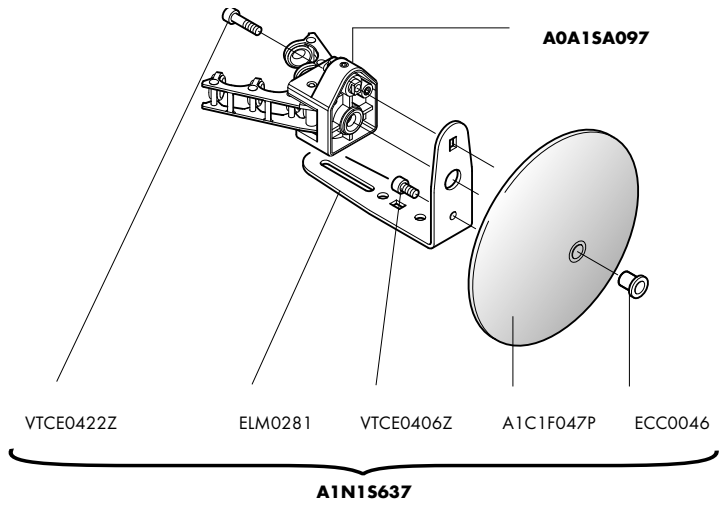
ECO PROGRESS
ACCESSORIES

INPUT TENSIONERS



cod. A1N25941

Compensator tensioner



Waxing unit + compensator

AOA2S155A

ECM0020A

AOA1S085A

HZM0005

ECC0013

ECC0014

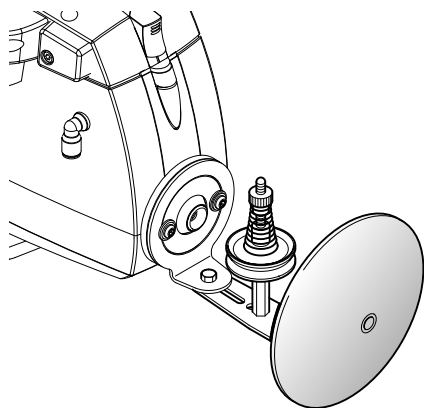
ELM0281

VTCE0406Z

A1C1F047P

ECC0046

A1N15637



cod. A1N25942

Disk tensioner for pneumatic threading

A1N15A058

VMT104206

VTCE0410Z

VTCE0406Z

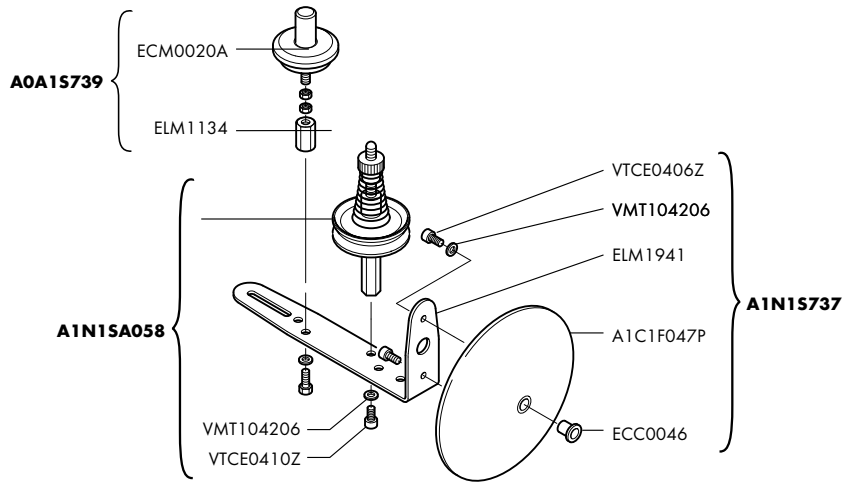
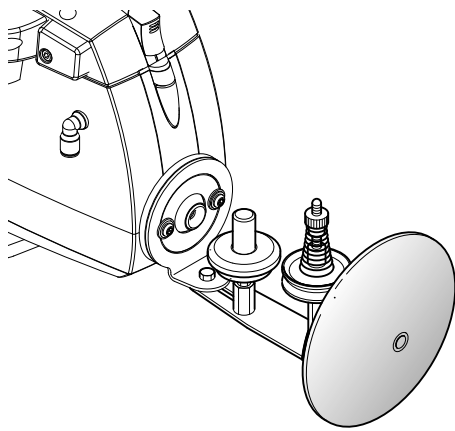
ELM0281

A1C1F047P

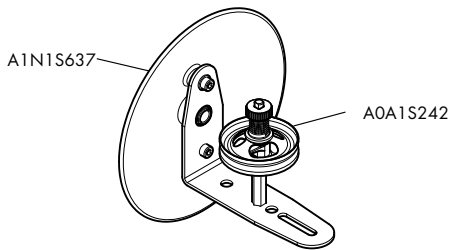
ECC0032

A1N15A637

INPUT TENSIONERS

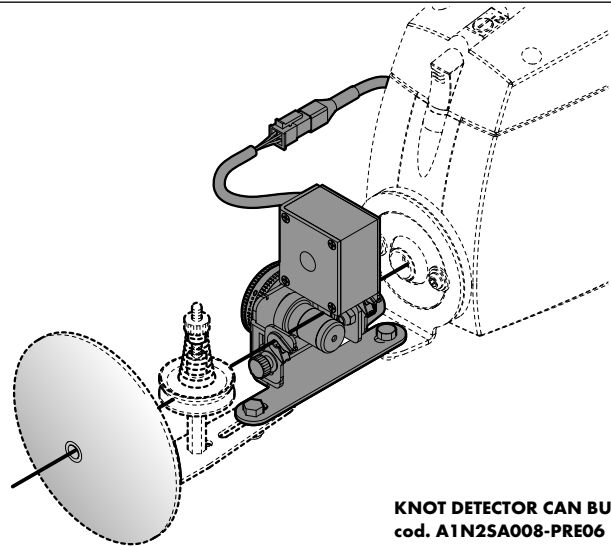


Disk tensioner for pneumatic threading with waxing unit

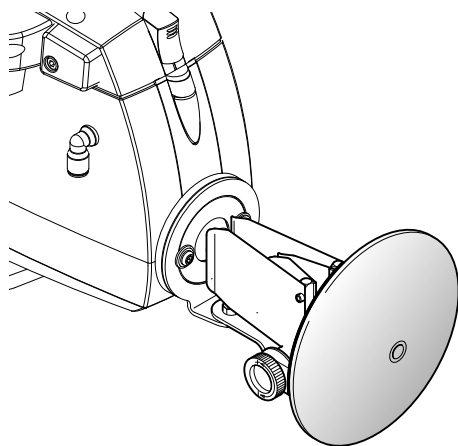


cod. A1N2SA066

Disk tensioner for pneumatic threading

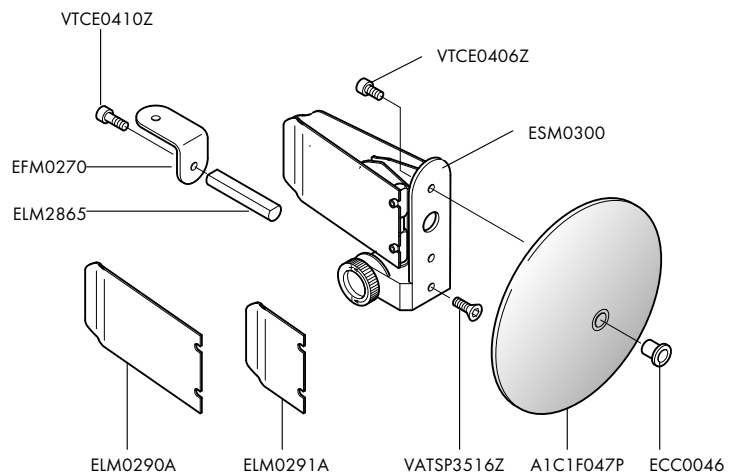


KNOT DETECTOR CAN BUS:
cod. A1N2SA008-PRE06

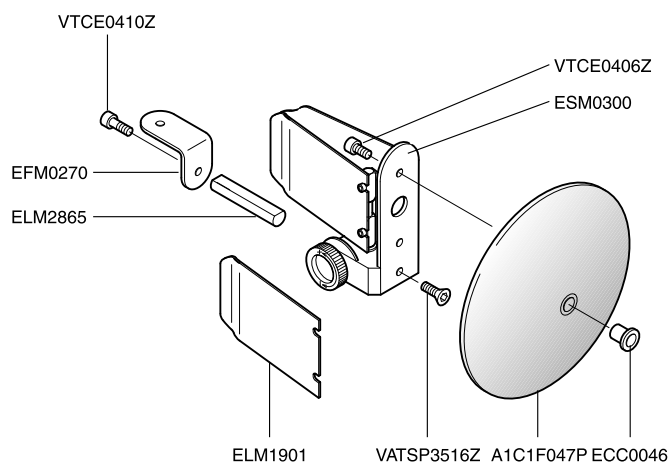
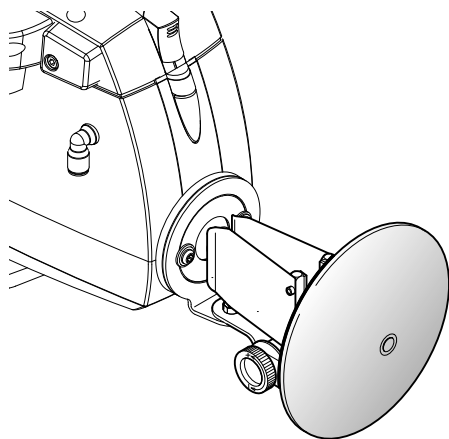


cod. A0A2S584

Standard leaf tensioner

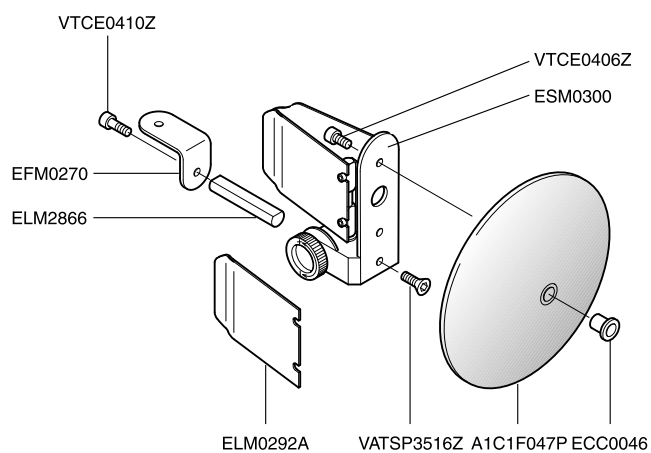
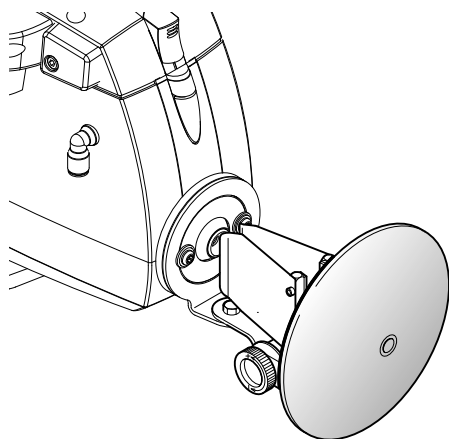


INPUT TENSIONERS



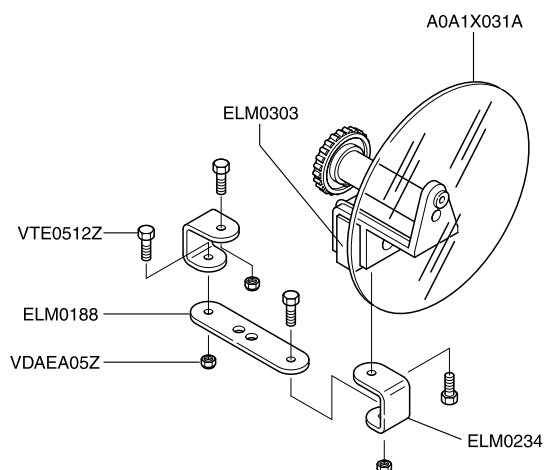
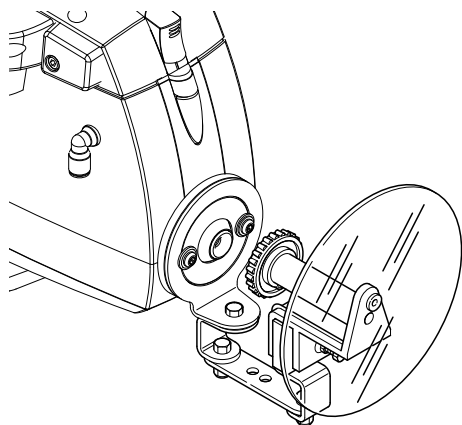
cod. A0A25600

Medium leaf tensioner



cod. A0A25392

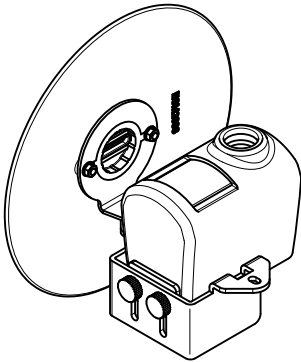
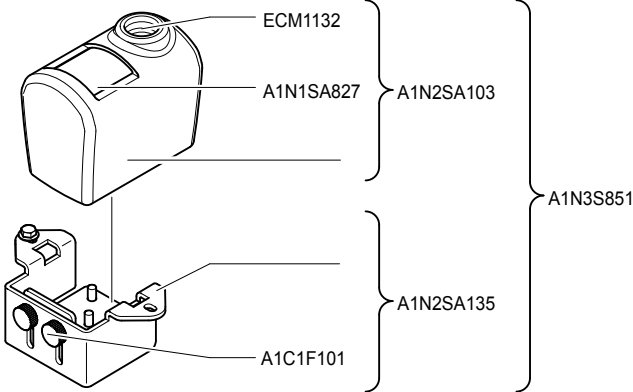
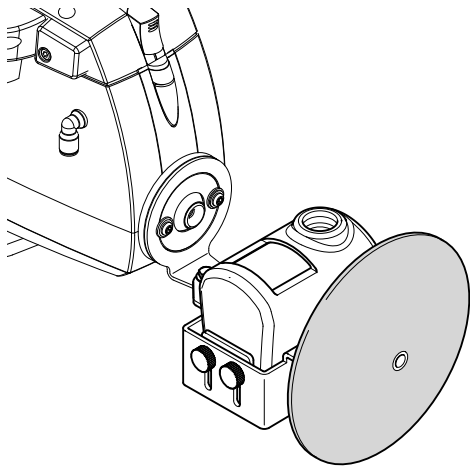
Bended leaf tensioner



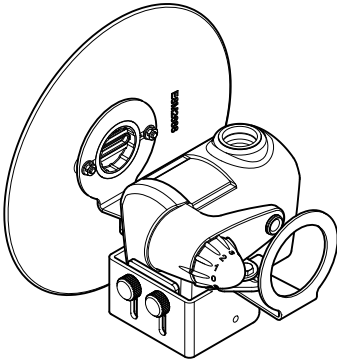
cod. A0A25157A

Anti-snarling unit

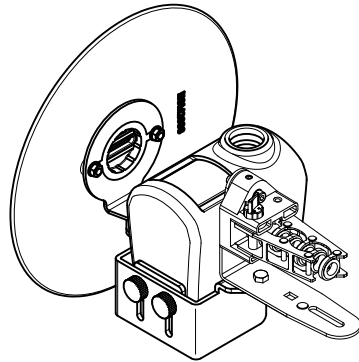
OILING UNITS



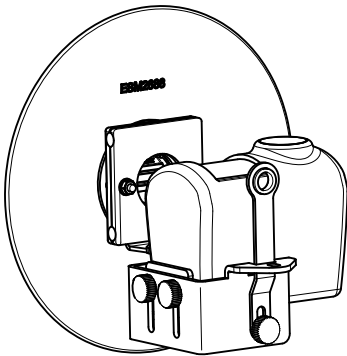
ANTIBALLON VERSION
cod. A1N2SA104



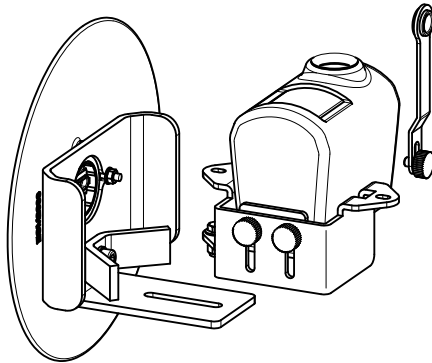
ANTIBALLON + RECUPERATOR VERSION
cod. A1N3S829



ANTIBALLON + COMPENSATOR VERSION
cod. A1N3S847

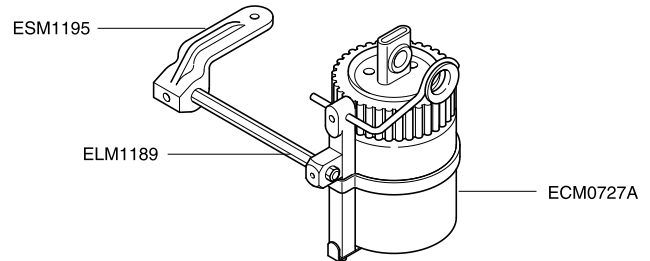
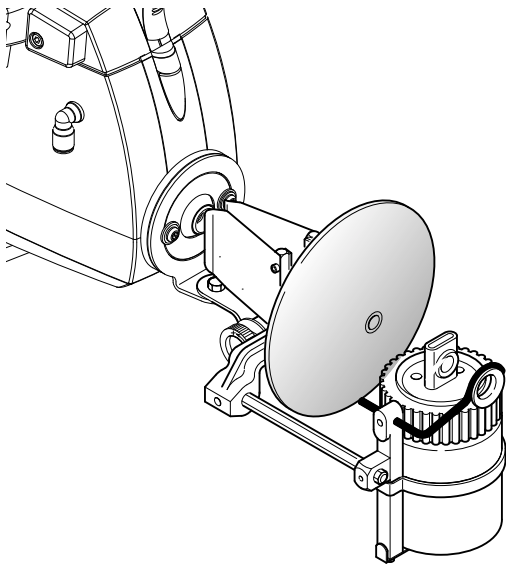


HORIZONTAL CREELS VERSION
cod. A1N3S853

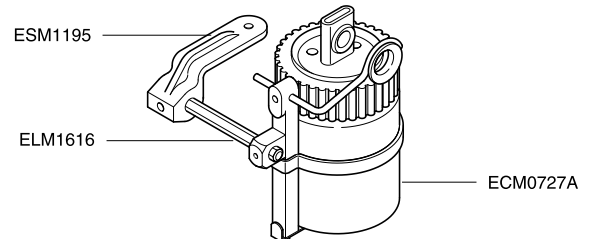
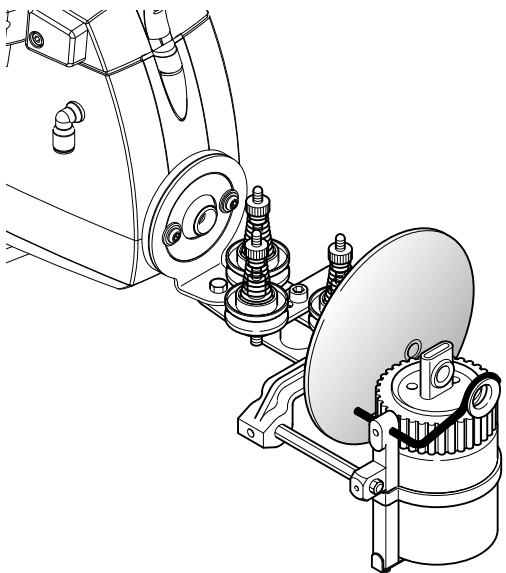


VERTICAL CREELS VERSION
cod. A1N4S727

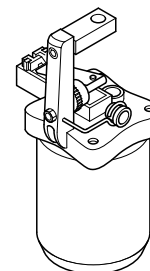
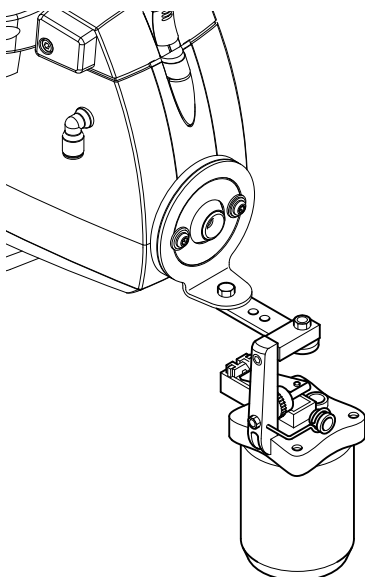
OILING UNITS



cod. AOA15318
Oiling unit for leaf tensioner

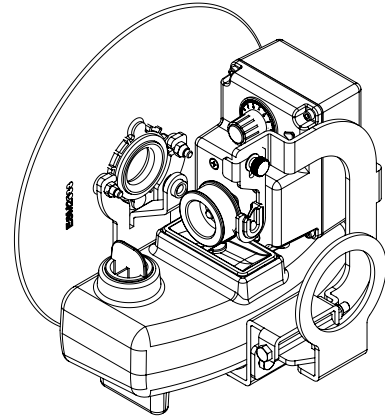
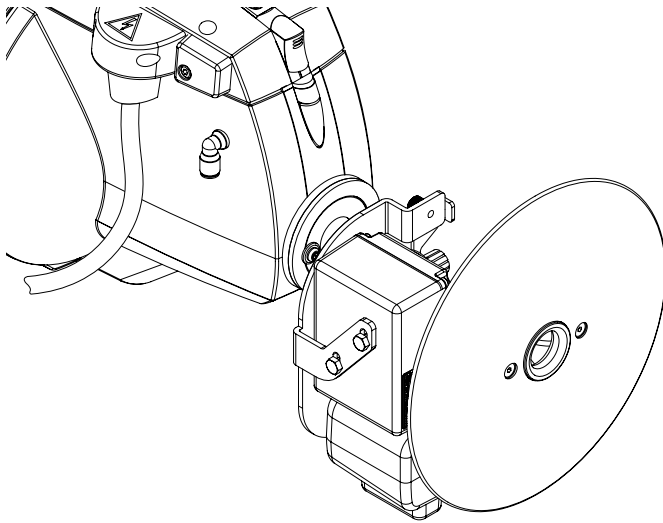


cod. AOA15092
Oiling unit OT-23

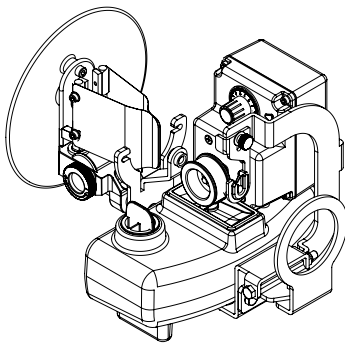


cod. AOA15A263
Waxing unit Kombi Lubre

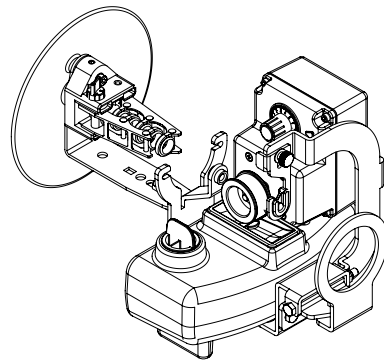
MOTORIZED OILERS AND WAXING DEVICES



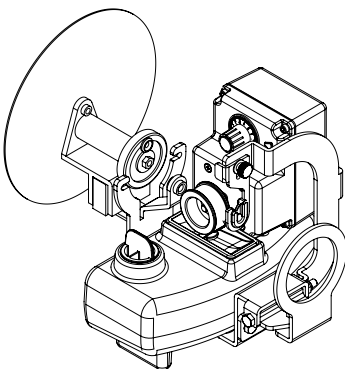
A1C3SA082



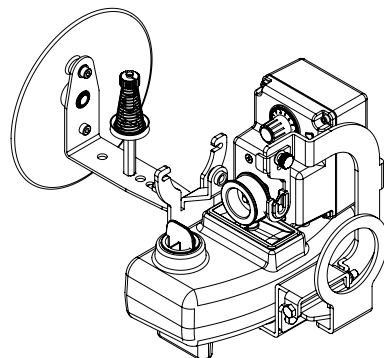
A1C4S803-LEAFBK



A1C4S803-COMPBK

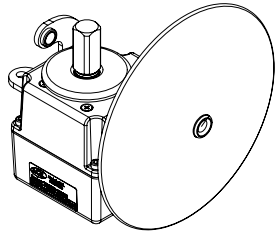


A1C4S803-ANTISN

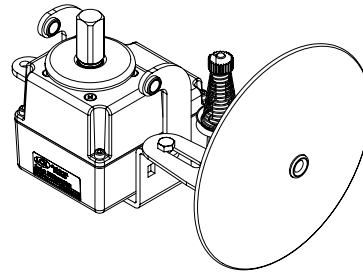


A1C4S803-DISKBK

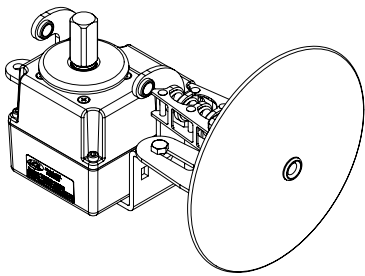
MOTORIZED OILERS AND WAXING DEVICES



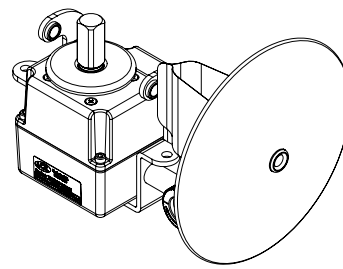
WAXING UNIT WHIT ANTIBALLON
A1C4S823-ANTIBL



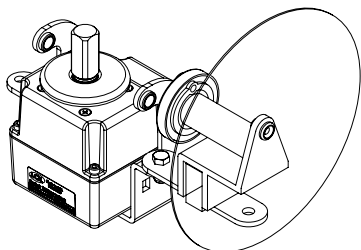
WAXING UNIT WHIT DISK BRAKE
A1C4S823-DISKBK



WAXING UNIT WHIT COMPENSATOR BRAKE
A1C4S823-COMPBK

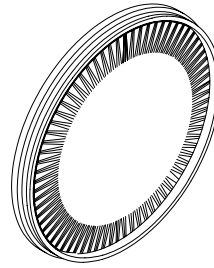
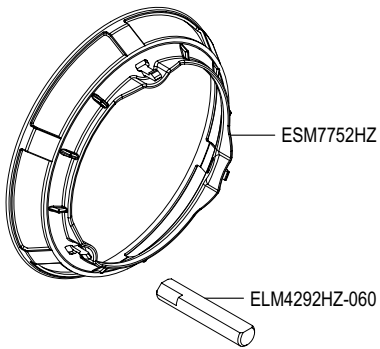


WAXING UNIT WHIT LEAF BRAKE
A1C4S823-LEAFBK



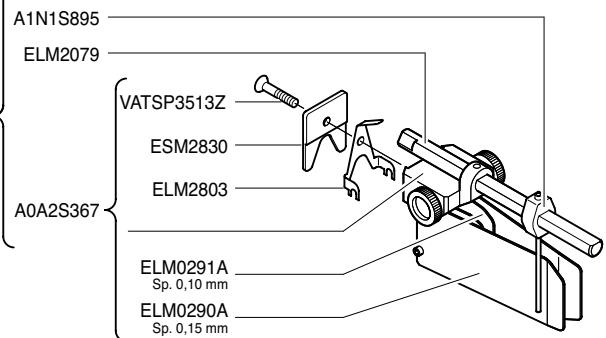
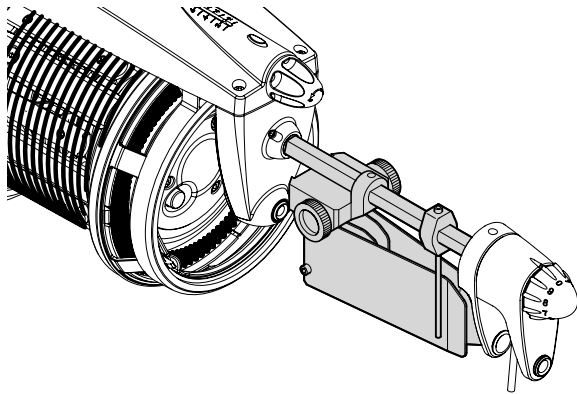
WAXING UNIT WHIT ANTISNARLING
A1C4S823-ANTISN

OUTPUT TENSIONERS



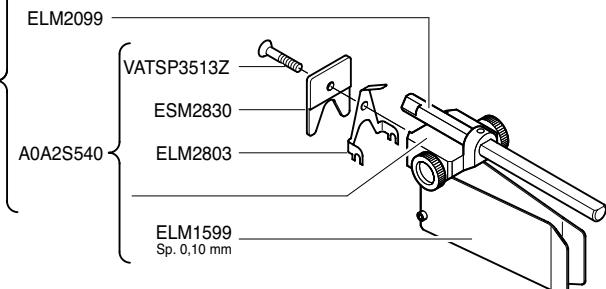
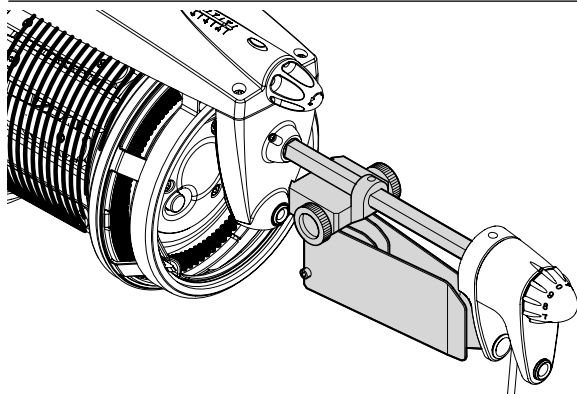
BRISTLE BRUSHES			
BRISTLE TYPE	Code "S" twist	Code "Z" twist	Code RADIAL
Nylon 0,30	A1C1F210-T	A1C1F212-T	A1C1F229-T
Nylon 0,20	A1C1F211-T	A1C1F213-T	A1C1F222-T
Chinese mane	A1C1F214-T	A1C1F215-T	A1C1F223-T
Goat hair	A1C1F216-T	A1C1F217-T	A1C1F231-T

Bristle brush installation kit



cod. A0A45649

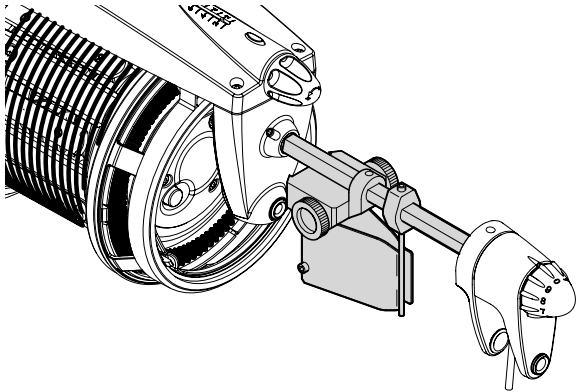
Installation kit for bristle brush with standard leaf tensioner



cod. A0A45673

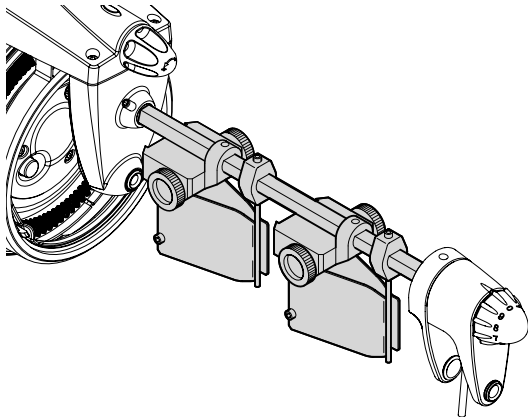
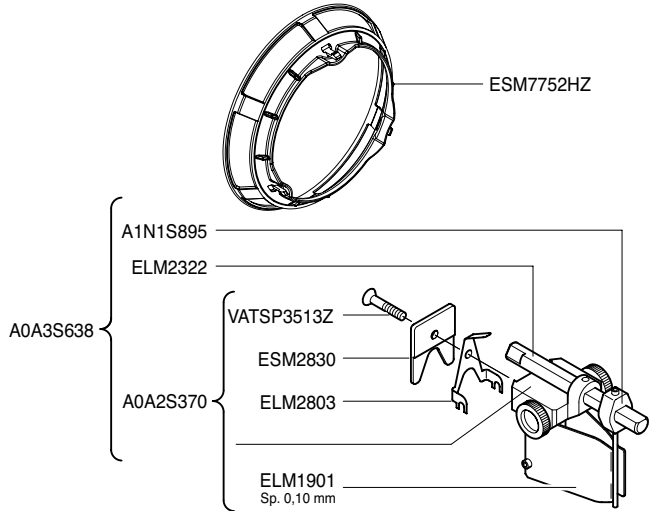
Installation kit for bristle brush with long lamella leaf tensioner

OUTPUT TENSIONERS



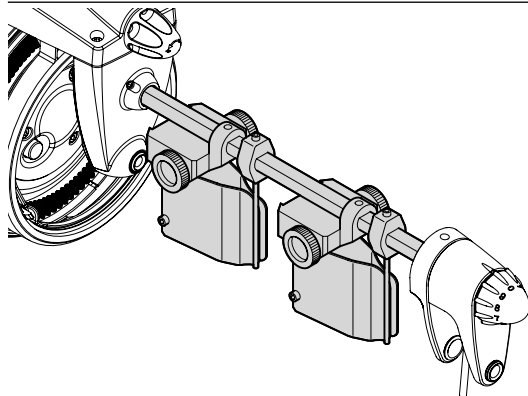
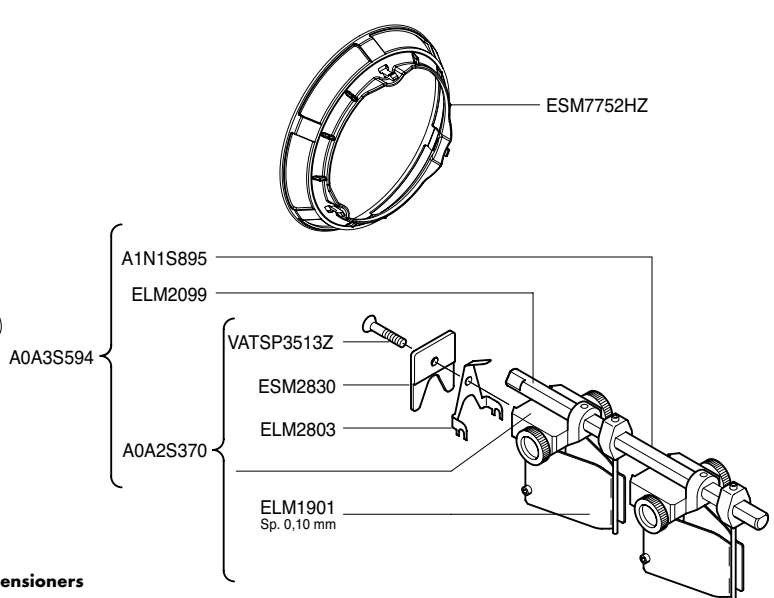
cod. **A0A4S656**

Installation kit for bristle brush with medium lamella leaf tensioner



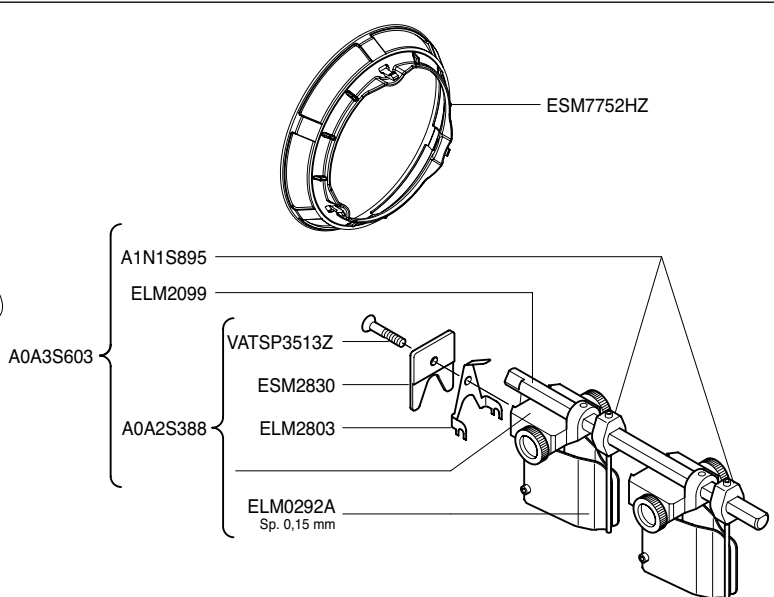
cod. **A0A4S650**

Installation kit for bristle brush with 2 medium lamella leaf tensioners

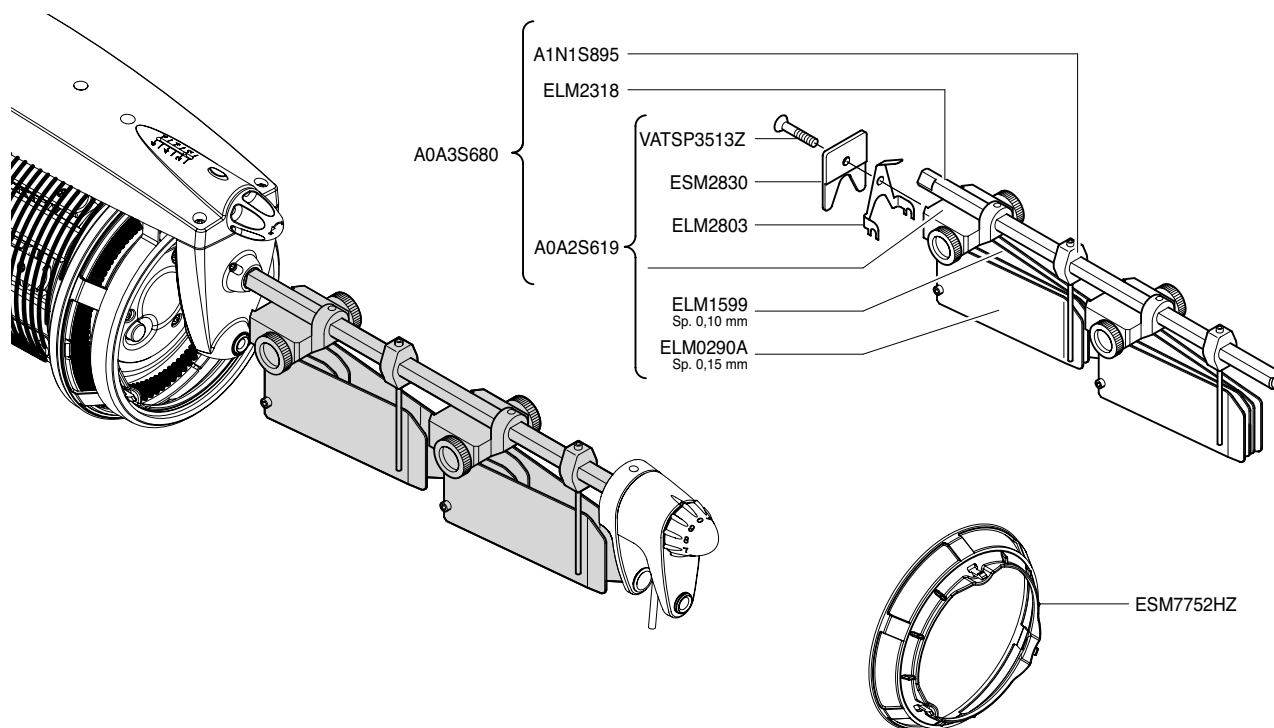


cod. **A0A4S651**

Installation kit for bristle brush with 2 bent lamella leaf tensioners

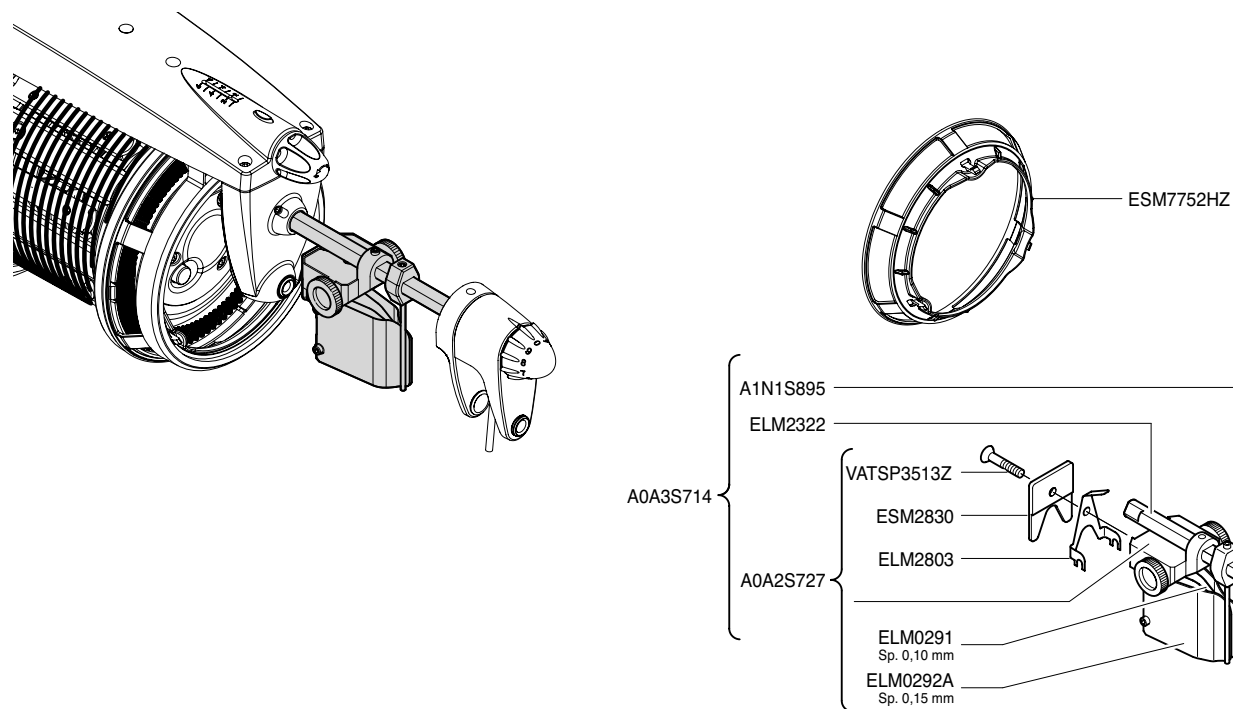


OUTPUT TENSIONERS



cod. **A0A4S675**

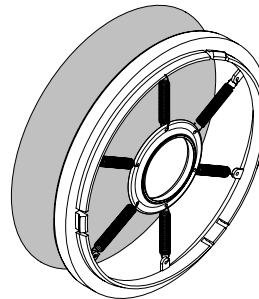
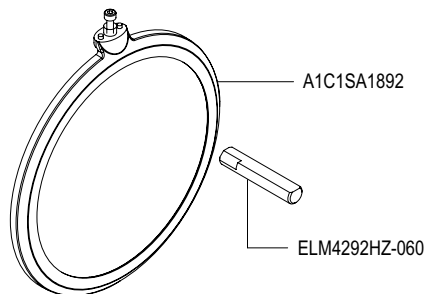
Installation kit for bristle brush with 2 double long lamella leaf tensioners



cod. **A0A4S686**

Installation kit for bristle brush with bent + short lamella leaf tensioners

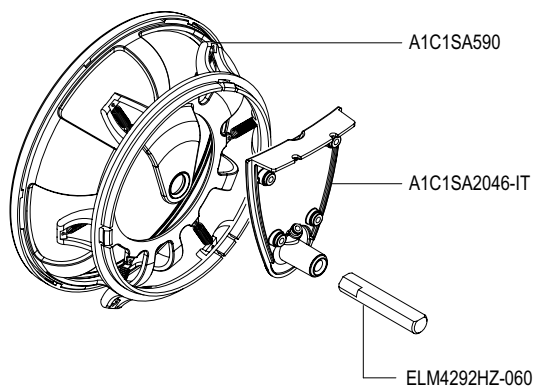
OUTPUT TENSIONERS



TWM BRAKE	
TWM TYPE	Code
RR-80-PRG	A1C4S774RR0080
LT10-PRG	A1C4S774LT10PR
LT05-PRG	A1C4S774LT05PR
KL-PRG	A1N2SA347KL02P
4KR20-PRG	A1N3SA016-4KR20
7KR40-PRG	A1N3SA016-7KR40
04PE20-PRG	A1N3S994-04PE20
74PE40-PRG	A1N3S994-74PE40

cod. A1C2SA571

Installation kit for TWM tension modulator

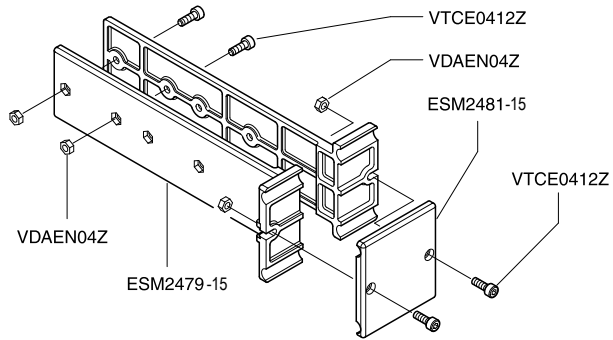


METAL BRUSHES		
TYPE	CODE	SHAPE
Type E 10	EFM6375-10	
Type E 15	EFM6375-15	
Type E 20	EFM6375-20	
Type F 10	EFM6376-10	
Type F 15	EFM6376-15	
Type F 20	EFM6376-20	

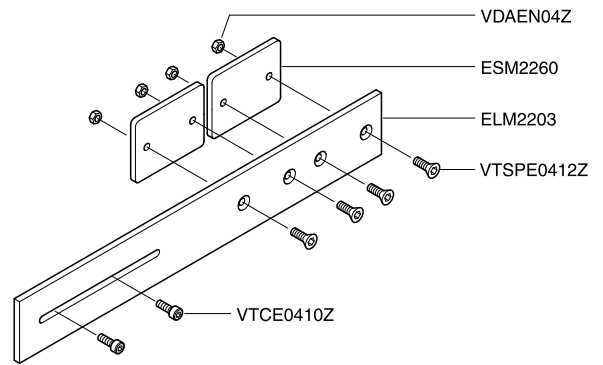
cod. A1C3SA124

Metal brush installation kit

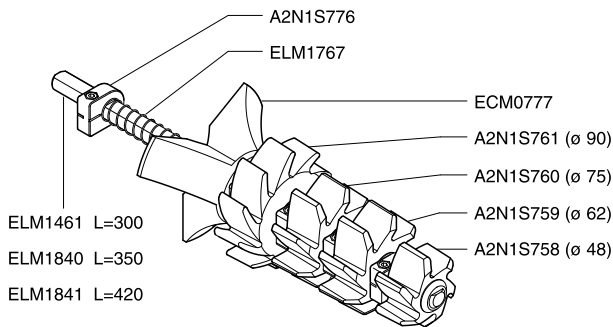
CREEL



A2N1SA144

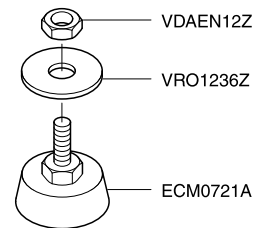


A2N1S801

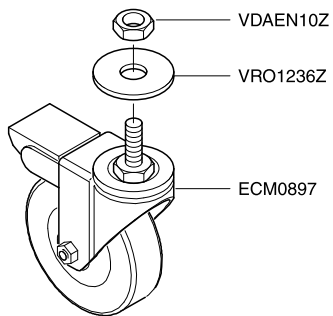


A2N1S368

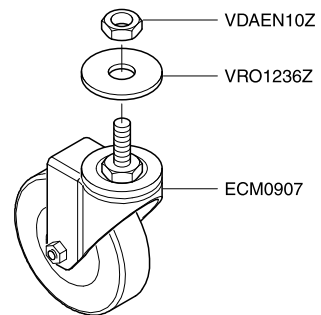
PIEDINO - FOOT



RUOTE CANTRE VERTICALI - VERTICAL CREEL WHEELS

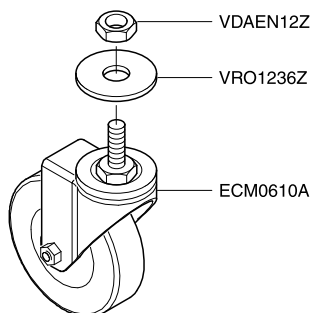


A2N1S777

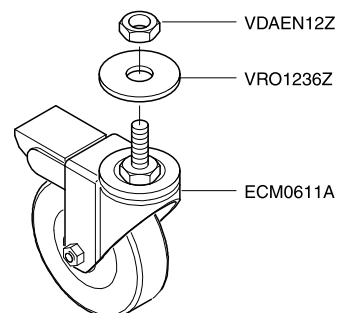


A2N1S841

RUOTE CANTRE ORIZZONTALI - HORIZONTAL CREEL WHEELS



A2N1S253



A2N1S254



L.G.L. Electronics S.p.A. reserve the right to alter in any moment one or more specifications of his machines for any technical or commercial reason without prior notice and without any obligation to supply these modifications to the machines, already installed.

T +39 035 733 408 **L.G.L. Electronics S.p.A.**
F +39 035 733 146 Via Ugo Foscolo, 156
lgj@lgl.it 24024 Gandino (BG)
www.lgl.it Italy