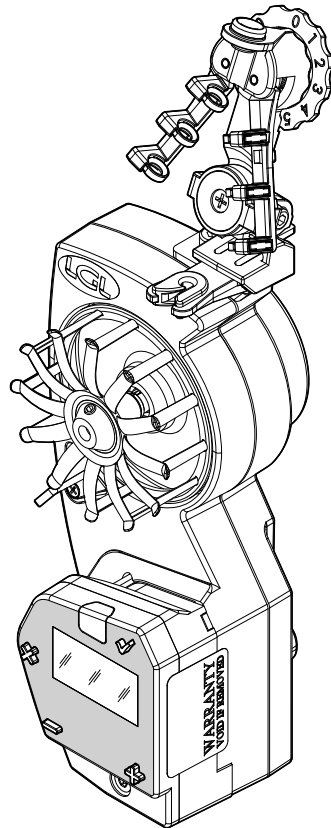




Rev. 0  
04/22

# SPIN<sup>2</sup>

## SPARE PARTS



# EXPLODED VIEW - TAB. 0

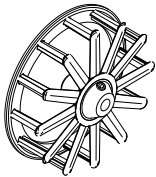
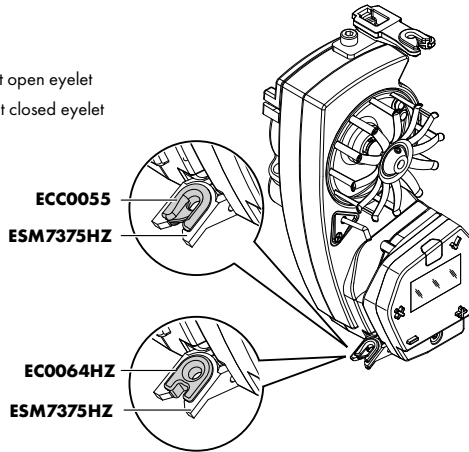
## FEEDER

**A1C7S011-0000LG:** Output open eyelet

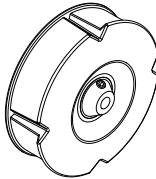
**A1C7S011-D300LG:** Output closed eyelet

**A1C7S011-00RCLG:** Ceramic wheel, output open eyelet

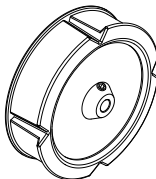
**A1C7S011-D3RCLG:** Ceramic wheel, output closed eyelet



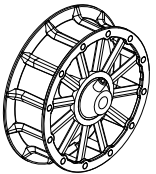
**A1C2SA574-RC15**  
(CERAMIC)



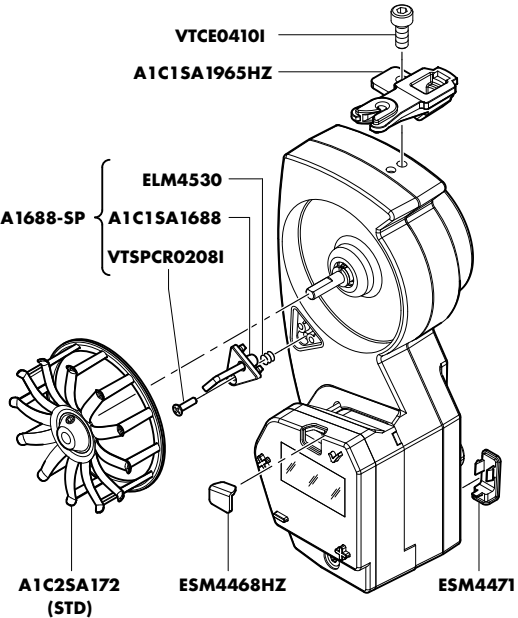
**A1C2SA340**  
(WHEEL)



**A1C2SA444**  
(RUBBER)



**A1C2SA447**  
(WITHOUT SEPARATION)



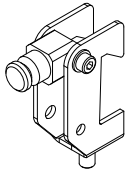
# EXPLODED VIEW - TAB. 1

## CLAMP



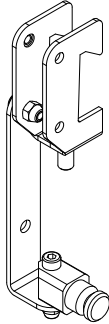
**A1C25A345**

SPIN2 clamp  
on CZ

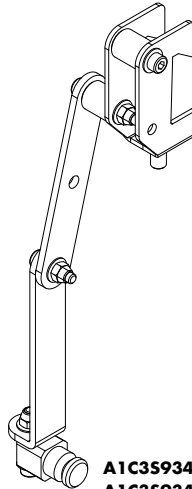


**A1C25A060**

SPIN2 clamp  
on round cable  
power supply

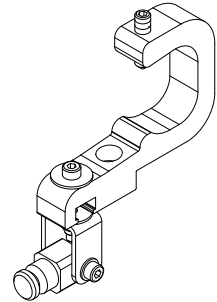


**A1C25A239 - SX**  
**A1C25A239 - DX**

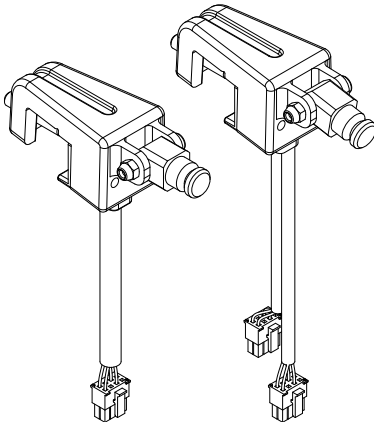


**A1C35934HZ - L**  
**A1C35934HZ - R**

SPIN2 clamp  
(Rotating extension)

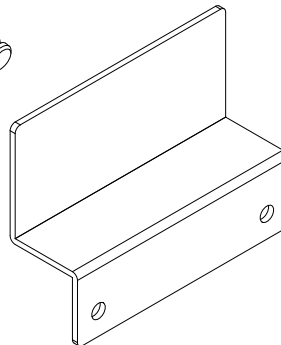


**A2N15A1339**

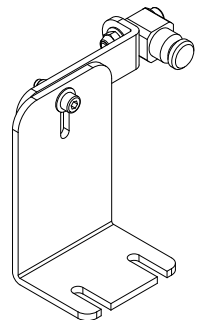


**A1C25A381**

**A1C25A381DOP**



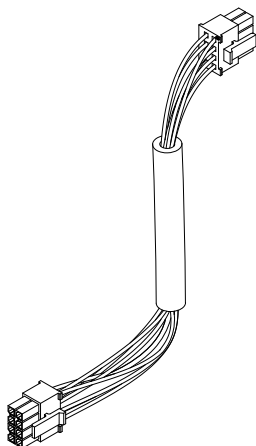
**ELM6038**



**A2N15A1206HZ**

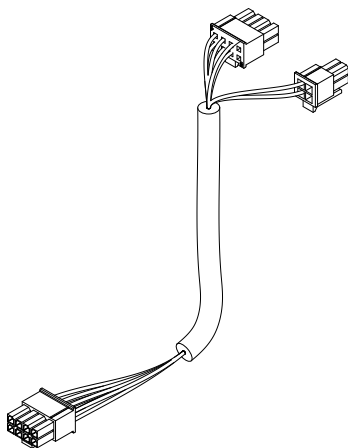
# EXPLODED VIEW - TAB. 2

## CABLE



**A1N1SA791-XXXS**  
SPIN2 cable on LGL power box

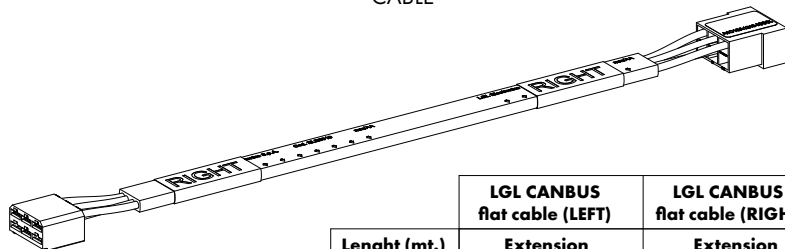
Code	L = XXXX (mm)
A1N1SA791-100S	1000
A1N1SA791-200S	2000
A1N1SA791-250S	2500
A1N1SA791-300S	3000
A1N1SA791-350S	3500
A1N1SA791-400S	4000
A1N1SA791-500S	5000
A1N1SA791-10MS	10000



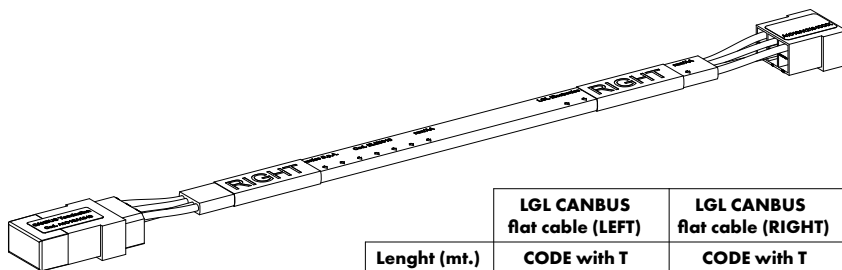
**A1C1SA1745-3500**  
SPIN2 cable with 3 INC-DEC signals

# EXPLODED VIEW - TAB. 3

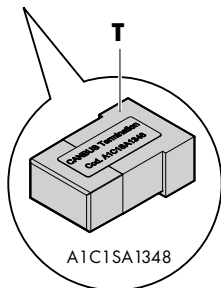
## CABLE



Lenght (mt.)	LGL CANBUS flat cable (LEFT)	LGL CANBUS flat cable (RIGHT)
	Extension	Extension
1,5 mt.	A1C1SA1251-1500	A1C1SA1218-1500
2 mt.	A1C1SA1251-2000	A1C1SA1218-2000
3 mt.	A1C1SA1251-3000	A1C1SA1218-3000
4 mt.	A1C1SA1251-4000	A1C1SA1218-4000
5 mt.	A1C1SA1251-5000	A1C1SA1218-5000
6 mt.	A1C1SA1251-6000	A1C1SA1218-6000
7 mt.	A1C1SA1251-7000	A1C1SA1218-7000
8 mt.	A1C1SA1251-8000	A1C1SA1218-8000
9 mt.	A1C1SA1251-9000	A1C1SA1218-9000
10 mt.	A1C1SA1251-10MT	A1C1SA1218-10MT
11 mt.	A1C1SA1251-11MT	A1C1SA1218-11MT
12 mt.	A1C1SA1251-12MT	A1C1SA1218-12MT
14 mt.	A1C1SA1251-14MT	A1C1SA1218-14MT
16 mt.	A1C1SA1251-16MT	A1C1SA1218-16MT
18 mt.	A1C1SA1251-18MT	A1C1SA1218-18MT



Lenght (mt.)	LGL CANBUS flat cable (LEFT)	LGL CANBUS flat cable (RIGHT)
	CODE with T	CODE with T
1,5 mt.	A1C2SA391-015L	A1C2SA391-015R
2 mt.	A1C2SA391-020L	A1C2SA391-020R
3 mt.	A1C2SA391-030L	A1C2SA391-030R
4 mt.	A1C2SA391-040L	A1C2SA391-040R
5 mt.	A1C2SA391-050L	A1C2SA391-050R
6 mt.	A1C2SA391-060L	A1C2SA391-060R
7 mt.	A1C2SA391-070L	A1C2SA391-070R
8 mt.	A1C2SA391-080L	A1C2SA391-080R
9 mt.	A1C2SA391-090L	A1C2SA391-090R
10 mt.	A1C2SA391-100L	A1C2SA391-100R
11 mt.	A1C2SA391-110L	A1C2SA391-110R
12 mt.	A1C2SA391-120L	A1C2SA391-120R
14 mt.	A1C2SA391-140L	A1C2SA391-140R
16 mt.	A1C2SA391-160L	A1C2SA391-160R
18 mt.	A1C2SA391-180L	A1C2SA391-180R

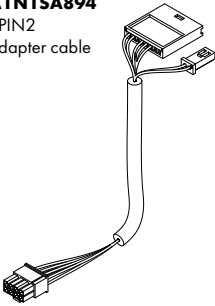


# EXPLODED VIEW - TAB. 4

## ADAPTERS

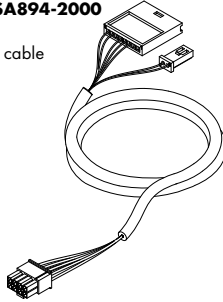
### A1N1SA894

SPIN2  
adapter cable



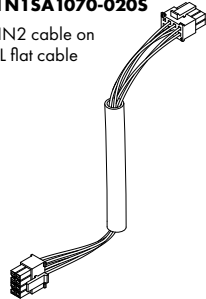
### A1N1SA894-2000

SPIN2  
adapter cable



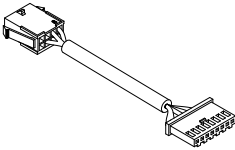
### A1N1SA1070-020S

SPIN2 cable on  
LGL flat cable



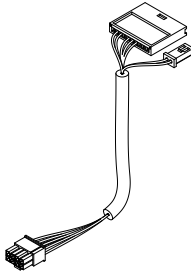
### A1N1SA895

Cable SPIN2 adapter  
power box



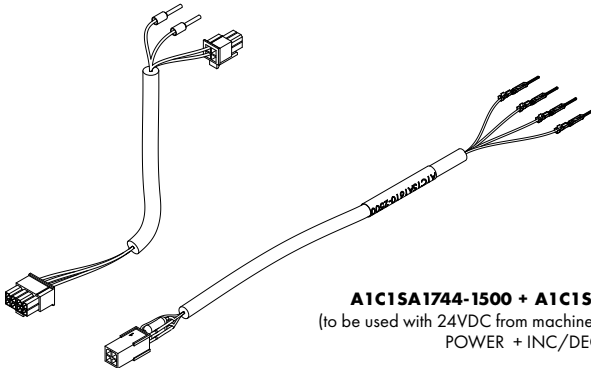
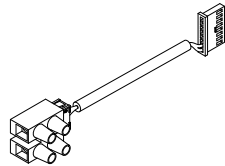
### A1C1SA1790-0100

(cable with 10 pole plug - UF)



### A1C1SA1749-2500

(takes power from  
other power box)

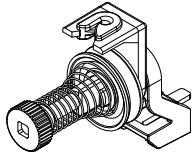


### A1C1SA1744-1500 + A1C1SA1610-2500

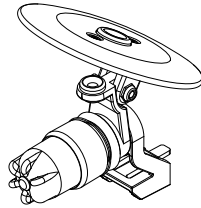
(to be used with 24VDC from machine-without power kit)  
POWER + INC/DEC

# EXPLODED VIEW - TAB. 5

## INPUT BRAKE

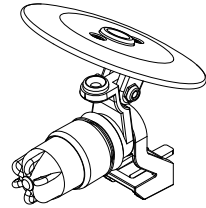


**A1C15A746SP2**



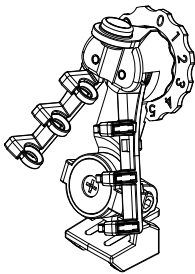
**A1C15A916SP2-AB**

Metallic disc brake

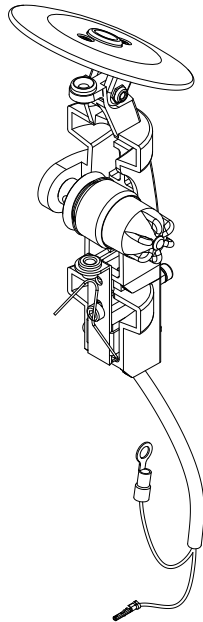


**A1C15A916SP2-AB06**

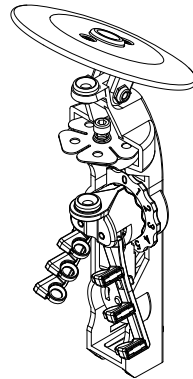
Metallic disc brake  
(hard spring)



**A1C35A130H-M05-6**

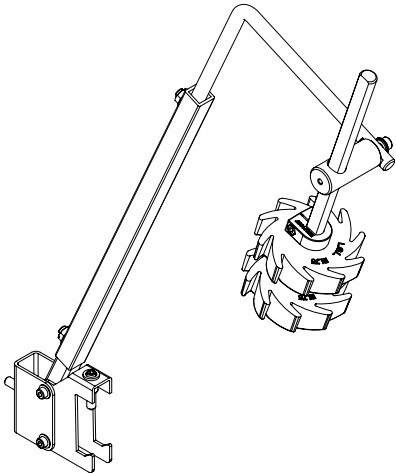


**A1C35A102SP2-889AB**

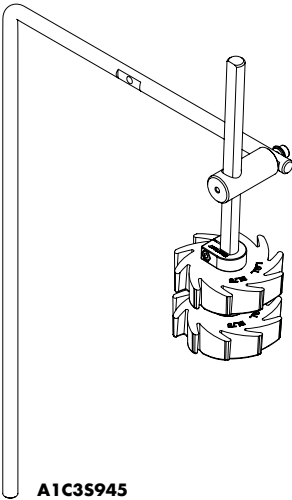


**A1C35A089-05-ABHZ**

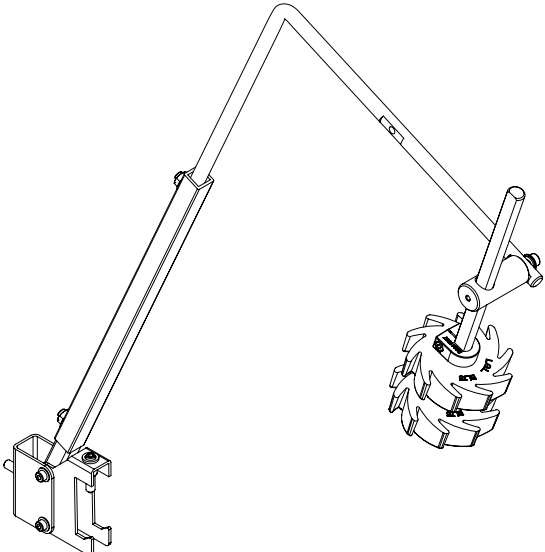
# EXPLODED VIEW - TAB. 6



**A1C35933**



**A1C35945**



**A1C35933-DP**





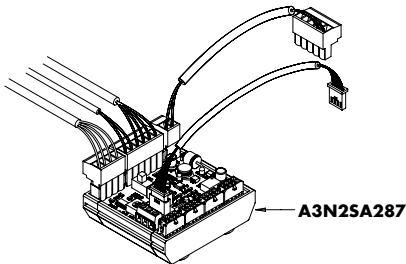
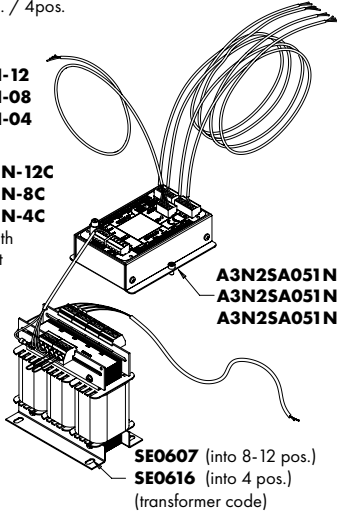
## SUPPLY VOLTAGE SETTING

### POWER SUPPLY BOX

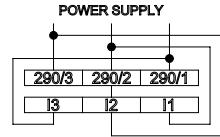
LGL SPIN2 power box (double INC/DEC)  
12pos. / 8pos. / 4pos.

**A3N3S871N-12**  
**A3N3S871N-08**  
**A3N3S871N-04**  
(complete)

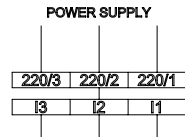
**A3N2SA051N-12C**  
**A3N2SA051N-8C**  
**A3N2SA051N-4C**  
(power box with  
cables without  
transformer)



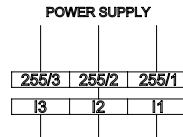
Rated Input voltage: from 280V to 335V  
Terminals: 290V



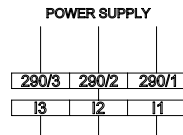
Rated Input voltage: from 340V to 425V  
Terminals: 220V



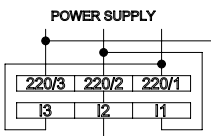
Rated Input voltage: from 390V to 490V  
Terminals: 255V



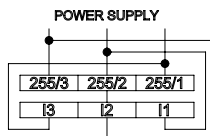
Rated input voltage: from 450V to 580V  
Terminals: 290V



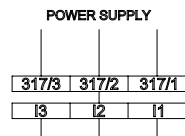
Rated Input voltage: from 190V to 245V  
Terminals: 220V



Rated Input voltage: from 230V to 285V  
Terminals: 255V

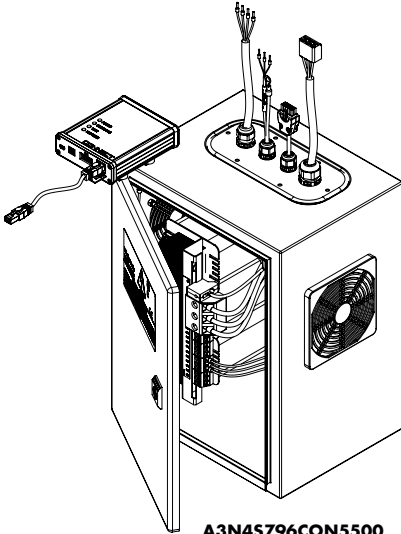


Rated Input voltage: from 490V to 620V  
Terminals: 317V

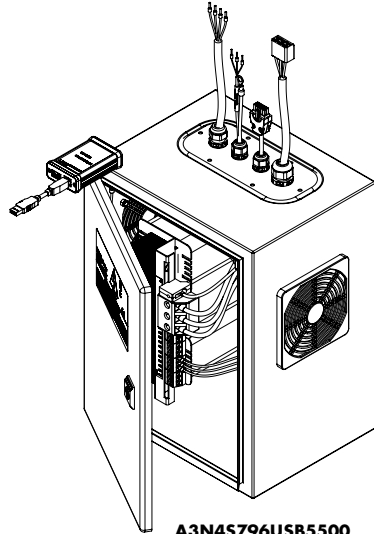


# EXPLODED VIEW - TAB. 8

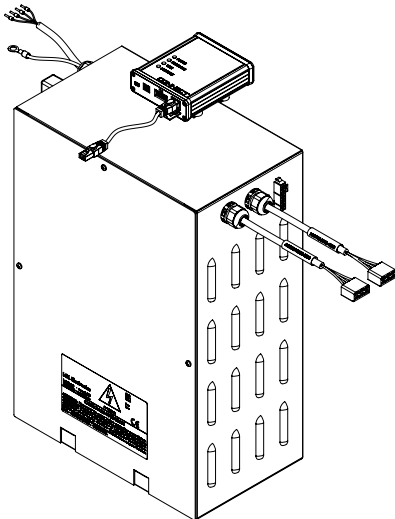
## POWER SUPPLY BOX and EQUIPMENT



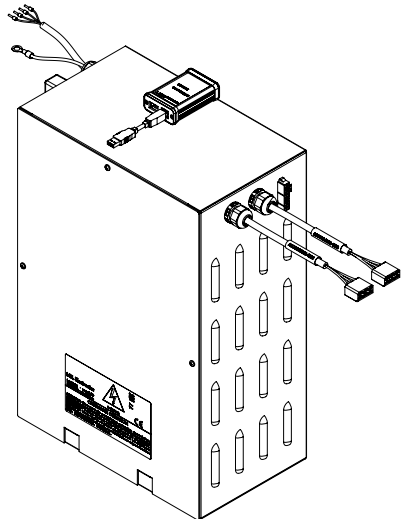
**A3N45796CON5500**  
(40VDC up to 55 feeders,  
with CONNECT device)



**A3N45796USB5500**  
(40VDC up to 55 feeders,  
with USBCONNECT device)



**A3N45768CONC800**  
(40VDC up to 120 feeders,  
with CONNECT device)



**A3N45768USBC800**  
(40VDC up to 120 feeders,  
with USBCONNECT device)

# EXPLODED VIEW - TAB. 8/A

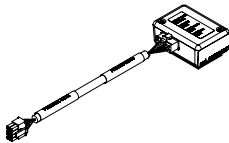
## POWER SUPPLY BOX and EQUIPMENT

### Communication

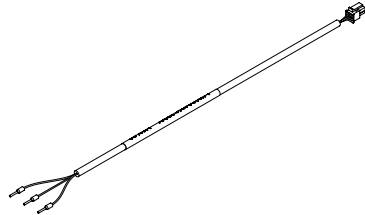


**ECM6770+USB**  
Tablet (ANDROID)

### Single STOP motion adapter

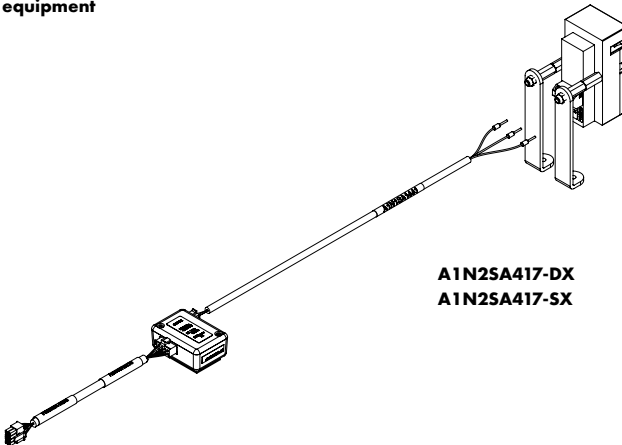


**A1C2SA311**  
**A1C2SA311-05**



**A1N1SA1216-XXXX**

### Cutter equipment



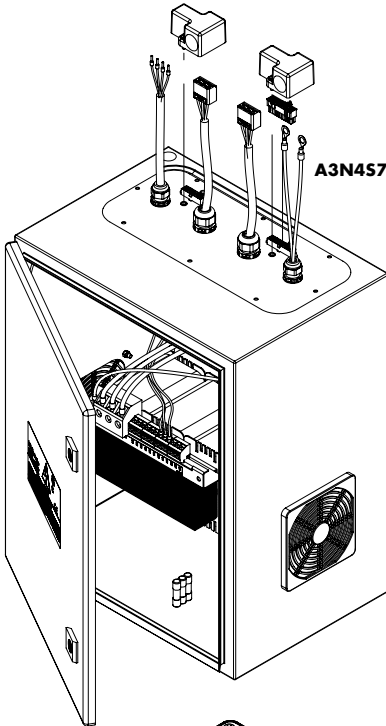
**A1N2SA417-DX**  
**A1N2SA417-SX**

In case of 24VDC cutter, use code A1C2SA311-CT with cable A1C1SA1504 (Cutter not provided)

# EXPLODED VIEW - TAB. 9

## LARGE DIAMETER MACHINE:

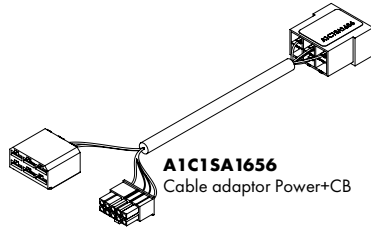
consult the information included in the various power supply kits specific to each machine manufacturer



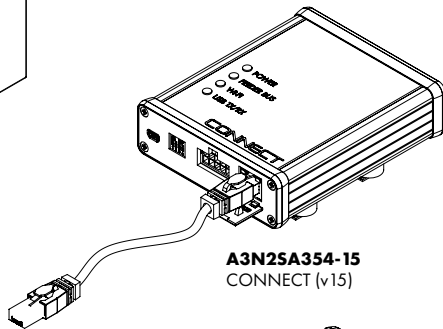
**A3N4S77500EXT00**



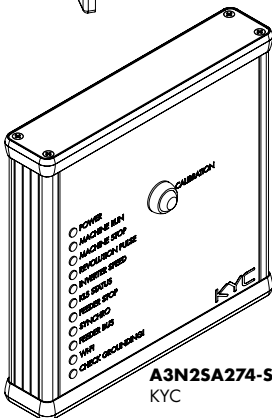
**ECM6770+USB**  
Tablet (ANDROID)



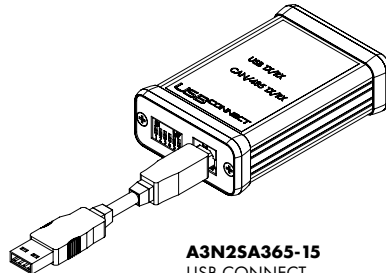
**A1C15A1656**  
Cable adaptor Power+CB



**A3N25A354-15**  
CONNECT (v15)



**A3N25A274-STD**  
KYC



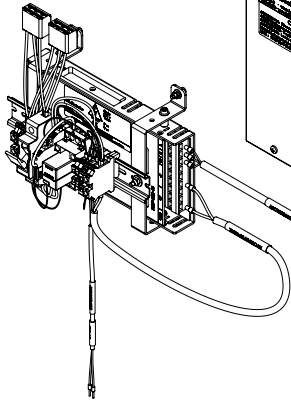
**A3N25A365-15**  
USB CONNECT

# EXPLODED VIEW - TAB. 10

## DC POWER KITS with FLAT CABLE (FLAT CABLE not included)

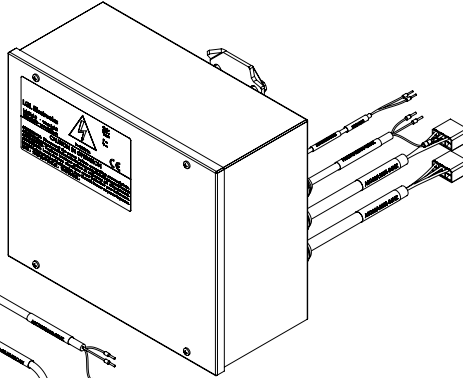
### **A3N2SA569-48HZ**

Kit CB just STOP up to 6



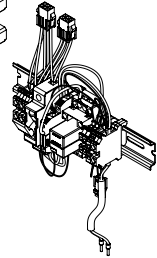
### **A3N3SA113-06-48HZ**

Power box switching up to 6 just STOP



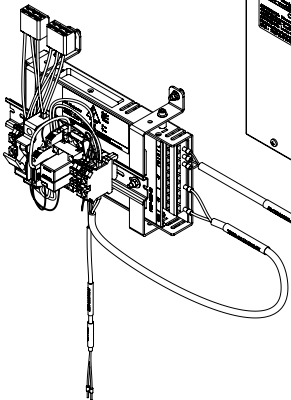
### **A3N2SA424-48HZ + A1N1SA898-30HZ**

Power kit KM CB-up to 16 (48VDC)  
+ STOP cable



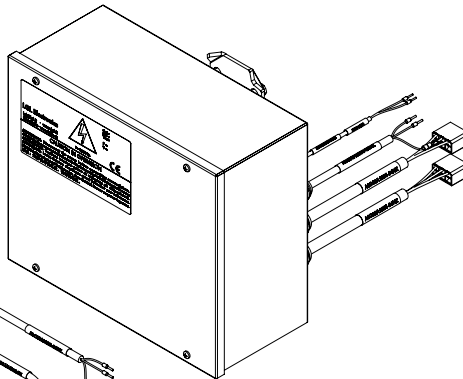
### **A3N2SA545-48HZ**

Kit CB flat knitting up to 6



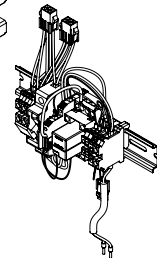
### **A3N3SA107-06-48HZ**

Power box switching up to 6



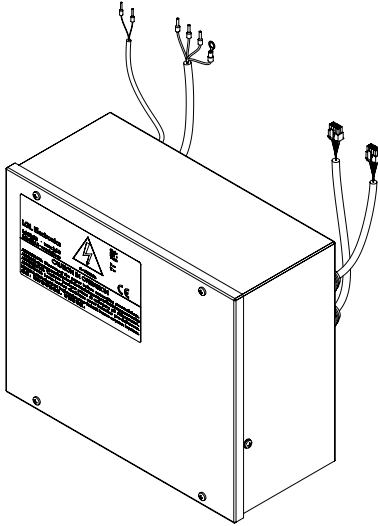
### **A3N2SA495-48HZ + A1N1SA898-30HZ**

Power kit KM CB-up to 16 (48VDC/micro)  
+ STOP cable

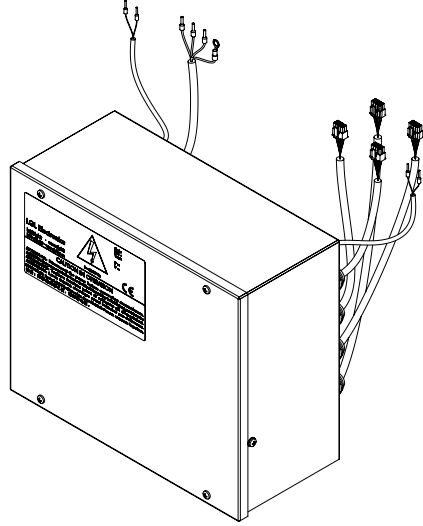


# EXPLODED VIEW - TAB. 11

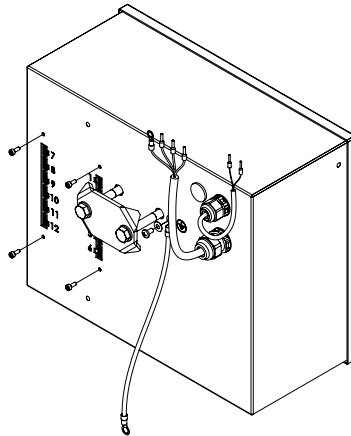
## DC POWER KIT with CABLE



**A3N3SA091-02HZ**  
Power box up to 2 SPIN2



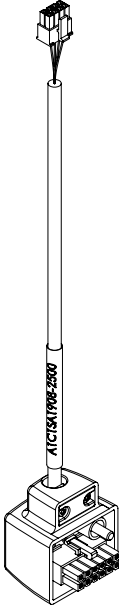
**A3N3SA091-04HZ**  
Power box up to 4 SPIN2



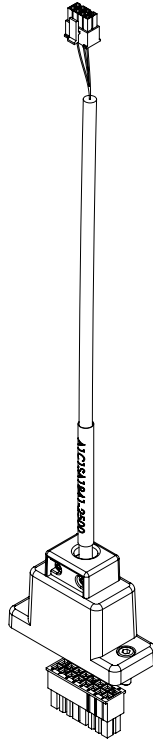
**A3N3SA112**  
Power box SPIN2 up to 12 cables

# EXPLODED VIEW - TAB. 12

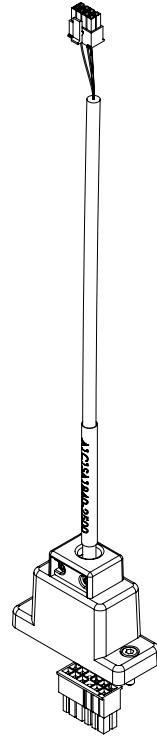
## SPIN2 on WEAVING MACHINE POWER BOX CABLE



**A1C15A1908-2500**



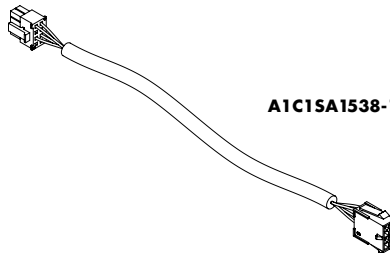
**A1C15A1841-2500**



**A1C15A1840-2500**



**A1C15A1836**



**A1C15A1538-15HZ**



L.G.L. Electronics S.p.A. reserve the right to alter in any moment one or more specifications of his machines for any technical or commercial reason without prior notice and without any obligation to supply these modifications to the machines, already installed.

T +39 035 733 408 **L.G.L. Electronics S.p.A.**  
F +39 035 733 146 Via Ugo Foscolo, 156  
lgf@lgl.it 24024 Gandino (BG)  
www.lgl.it Italy