

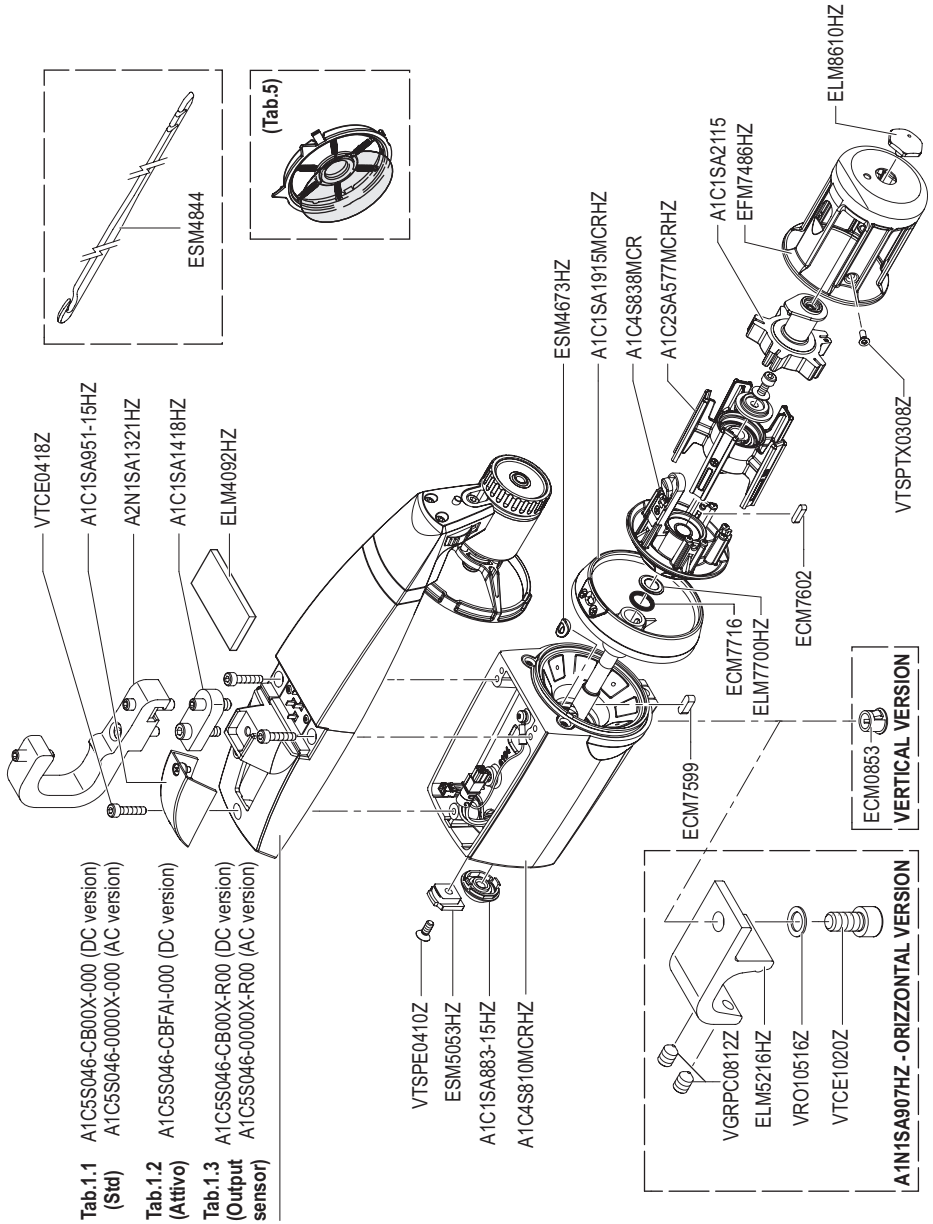


Rev. 1
02/26

ECOMICRO

SPARE PARTS

EXPLODED VIEW - TAB. 0



Tab.1.1 (Std)

- A1C5S046-CB00X-000 (DC version)
- A1C5S046-0000X-000 (AC version)

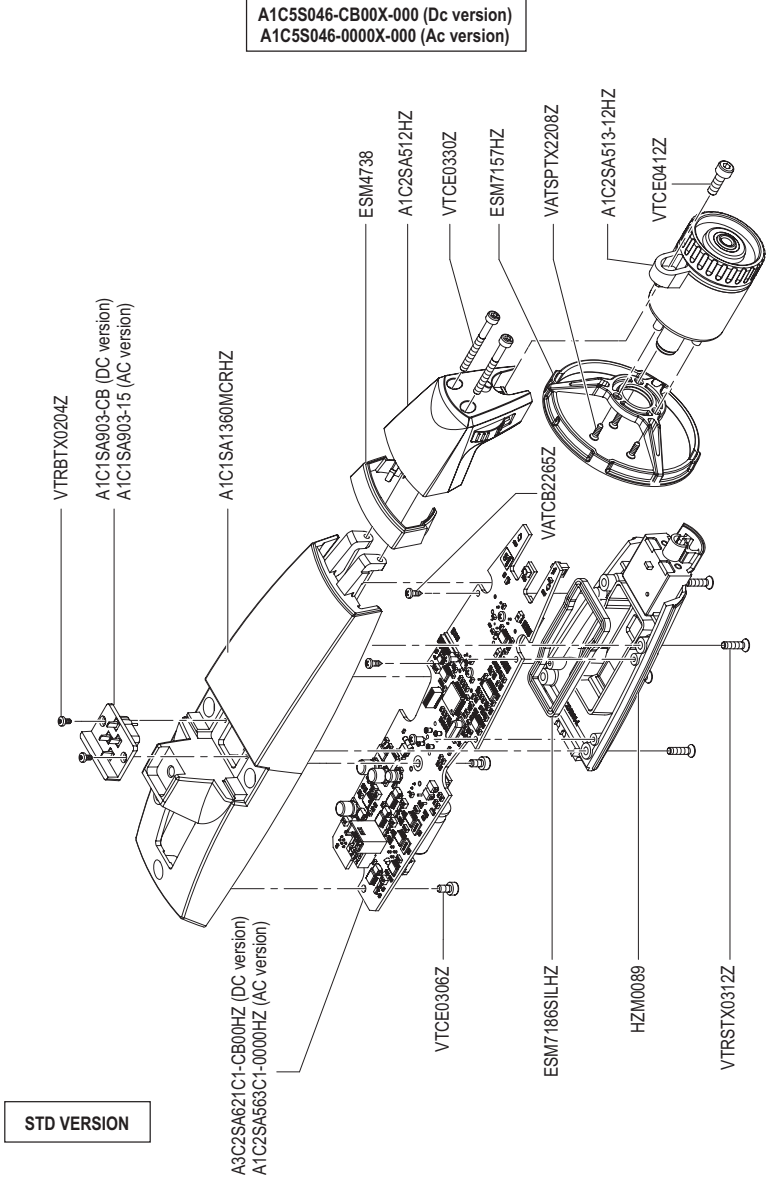
Tab.1.2 (Attivo)

- A1C5S046-CBFAI-000 (DC version)

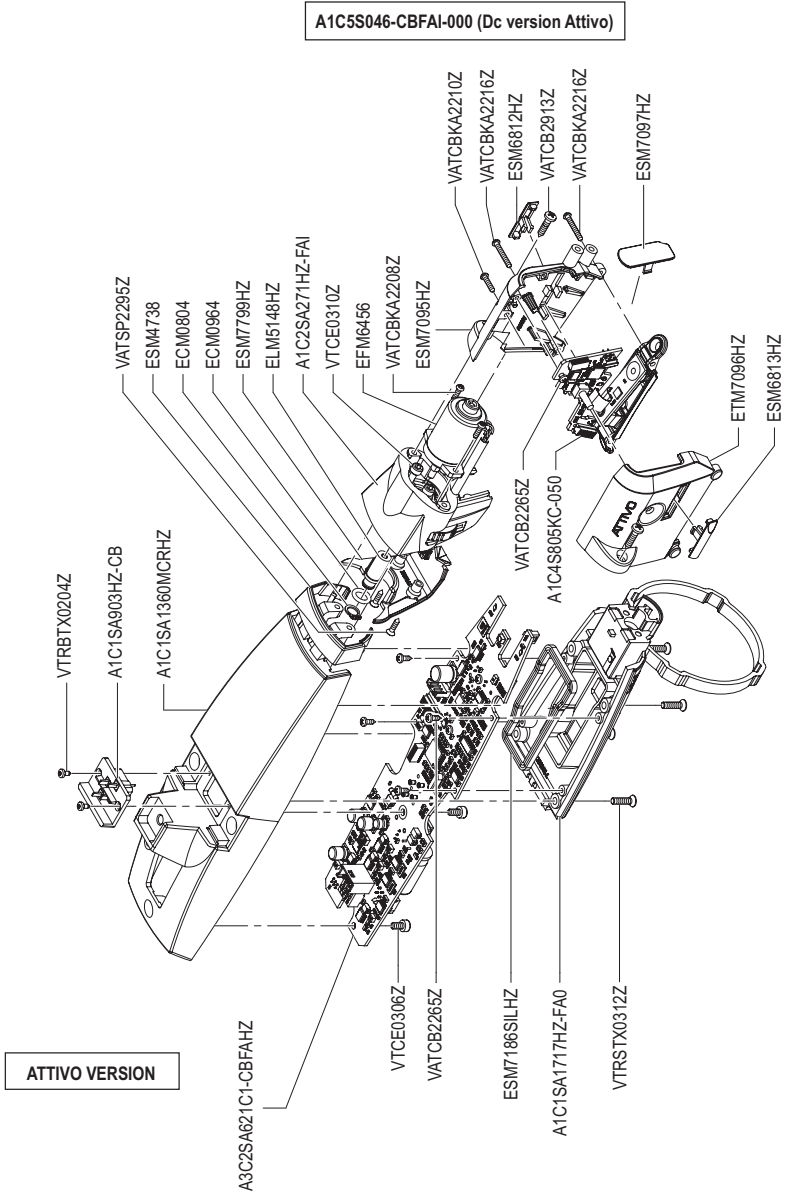
Tab.1.3 (Output sensor)

- A1C5S046-CB00X-R00 (DC version)
- A1C5S046-0000X-R00 (AC version)

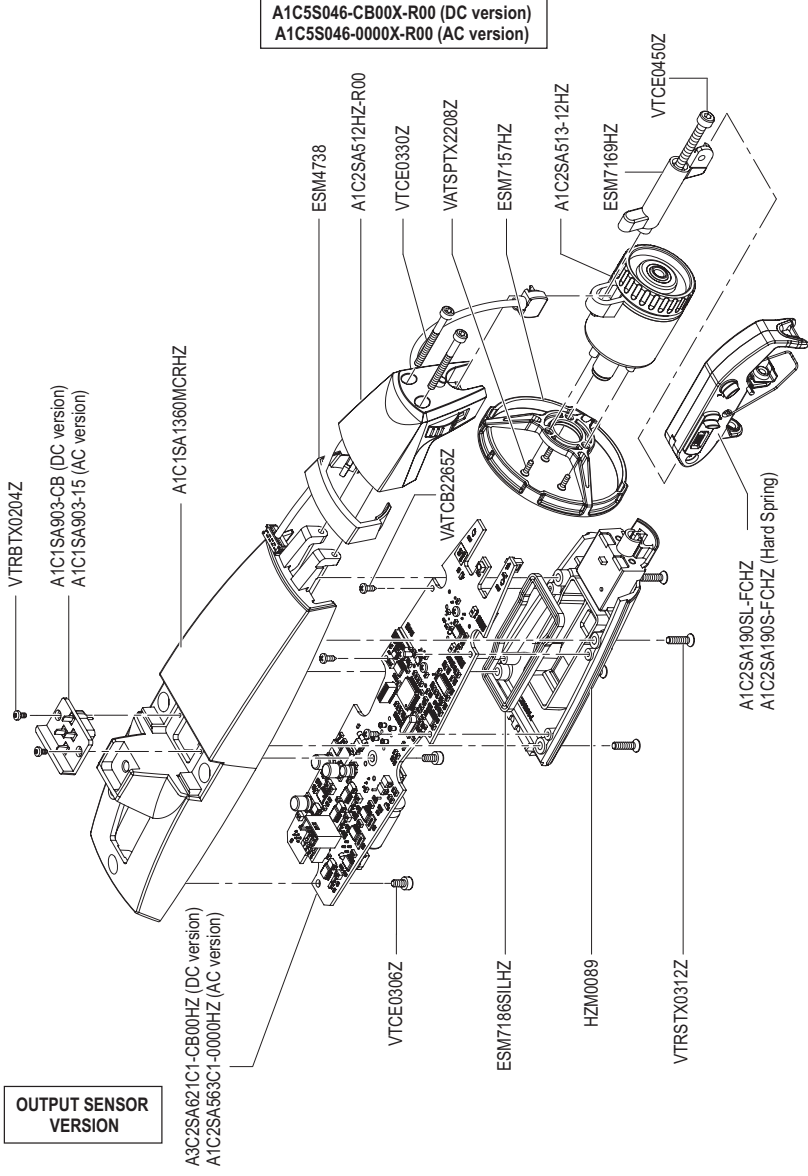
EXPLODED VIEW - TAB. 1.1



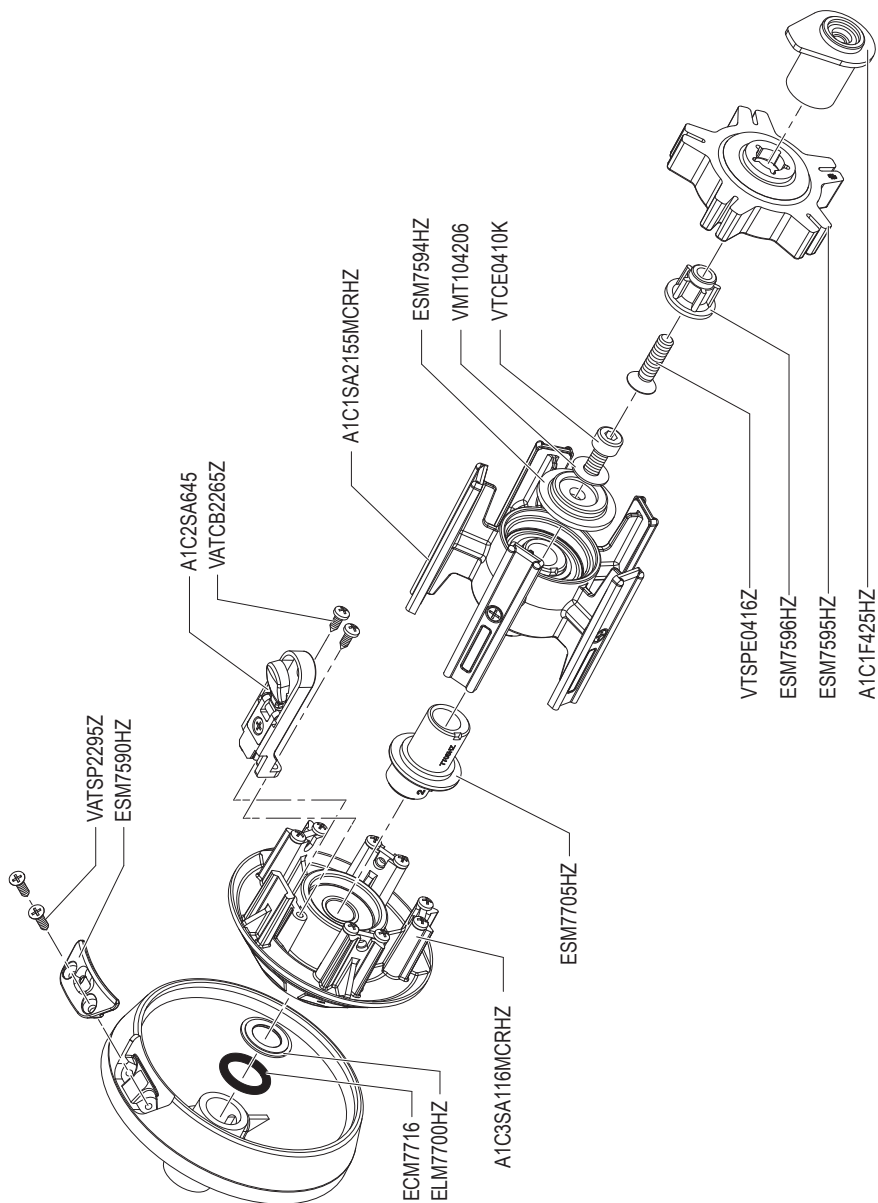
EXPLODED VIEW - TAB. 1.2



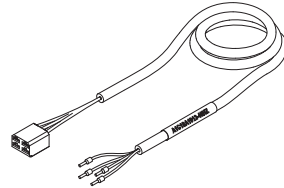
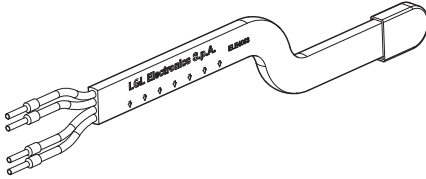
EXPLODED VIEW - TAB. 1.3



EXPLODED VIEW - TAB. 2



EXPLODED VIEW - TAB. 3.1

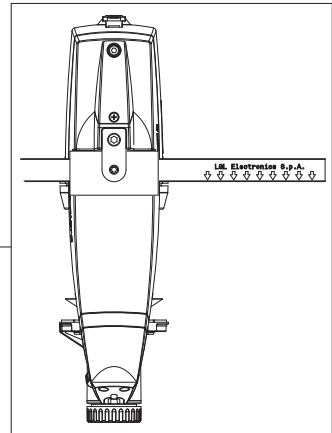


A1C1SA1912-40HZ

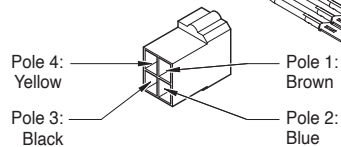
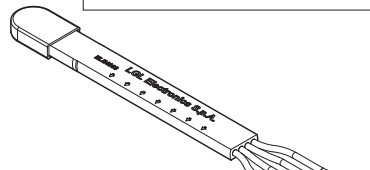
CONNECTION CABLE

CODICE	L=XXX (mm)
A1N1SA572-2000	2000
A1N1SA572-5000	5000
A1N1SA572-6000	6000
A1N1SA572-8000	8000
A1N1SA572-10000	10000
A1N1SA572-11000	11000

SOCKS



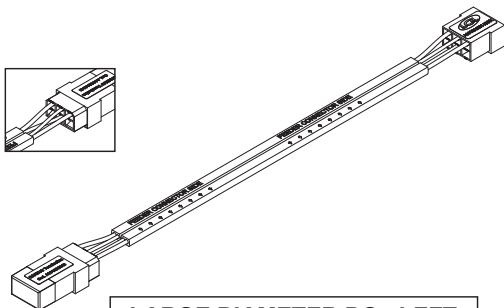
CODICE	L=XXX (mm)
A1C1SA1000-10HZ	1000
A1C1SA1000-20HZ	2000
A1C1SA1000-30HZ	3000
A1C1SA1000-33HZ	3300
A1C1SA1000-38HZ	3800
A1C1SA1000-40HZ	4000
A1C1SA1000-48HZ	4800
A1C1SA1000-50HZ	5000
A1C1SA1000-60HZ	6000
A1C1SA1000-70HZ	7000
A1C1SA1000-80HZ	8000
A1C1SA1000M10HZ	10000
A1C1SA1000M12HZ	12000
A1C1SA1000M14HZ	14000



LARGE DIAMETER AC

EXPLODED VIEW - TAB. 3.2

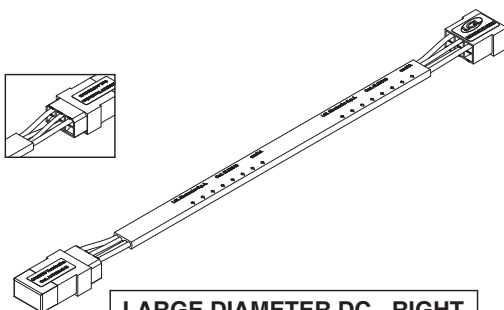
CODE (LEFT)	L=XXX (mm)
A1C2SA391H030L	3000
A1C2SA391H040L	4000
A1C2SA391H050L	5000
A1C2SA391H060L	6000
A1C2SA391H070L	7000
A1C2SA391H080L	8000
A1C2SA391H100L	10000
A1C2SA391H110L	11000
A1C2SA391H120L	12000
A1C2SA391H140L	14000
A1C2SA391H150L	15000



LARGE DIAMETER DC - LEFT

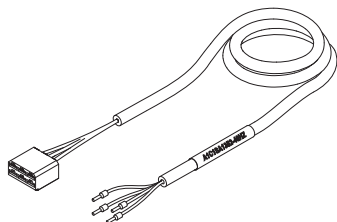
EXTENSION CABLE: A1C1SA1251-XXHZ

CODE (RIGHT)	L=XXX (mm)
A1C2SA391H030R	3000
A1C2SA391H040R	4000
A1C2SA391H050R	5000
A1C2SA391H060R	6000
A1C2SA391H070R	7000
A1C2SA391H080R	8000
A1C2SA391H100R	10000
A1C2SA391H110R	11000
A1C2SA391H120R	12000
A1C2SA391H140R	14000
A1C2SA391H150R	15000



LARGE DIAMETER DC - RIGHT

EXTENSION CABLE: A1C1SA1218-XXHZ

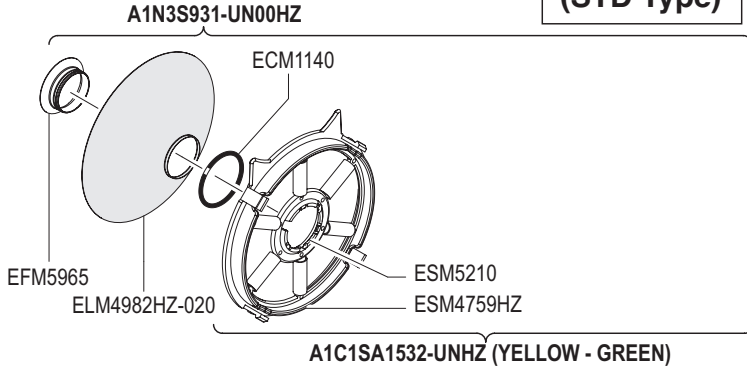


A1C1SA1352-40HZ

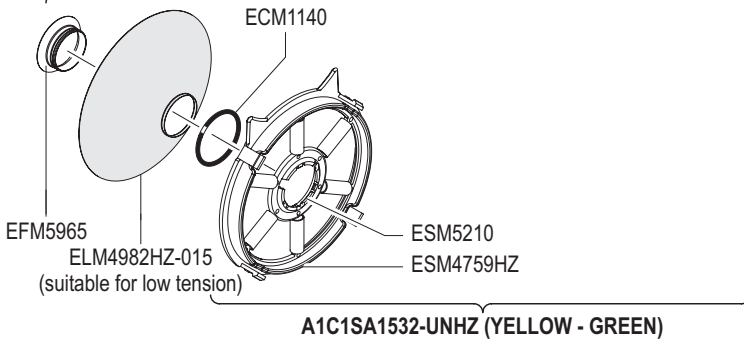
CONNECTION CABLE

EXPLODED VIEW - TAB. 4.1

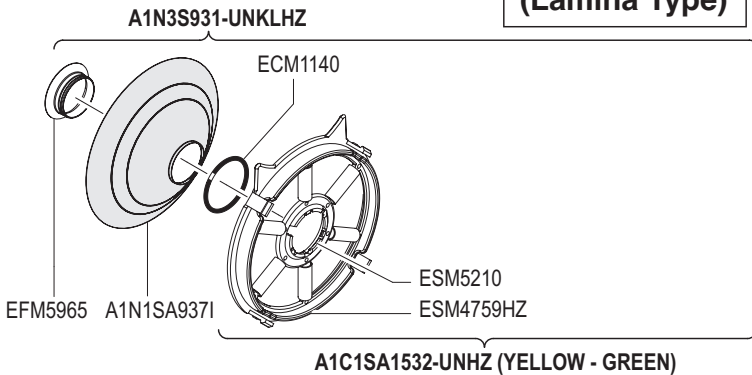
(STD Type)



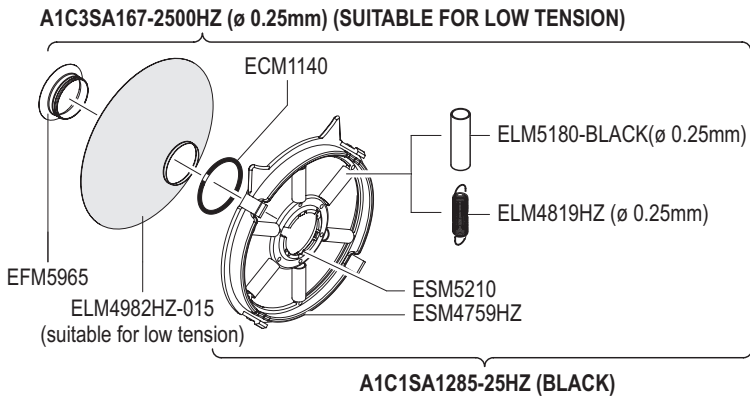
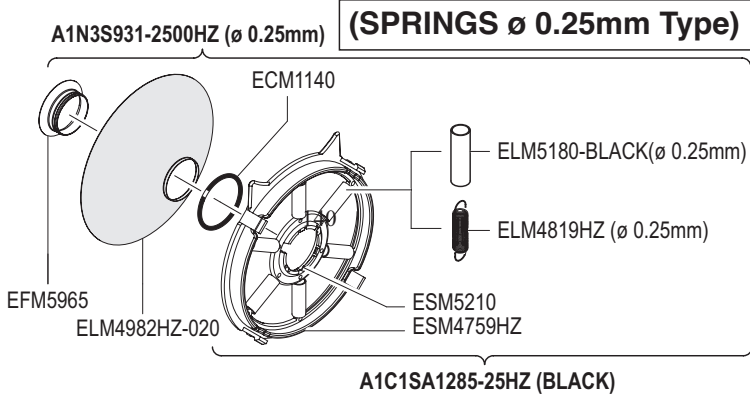
A1C3SA167-UN00HZ (SUITABLE FOR LOW TENSION)



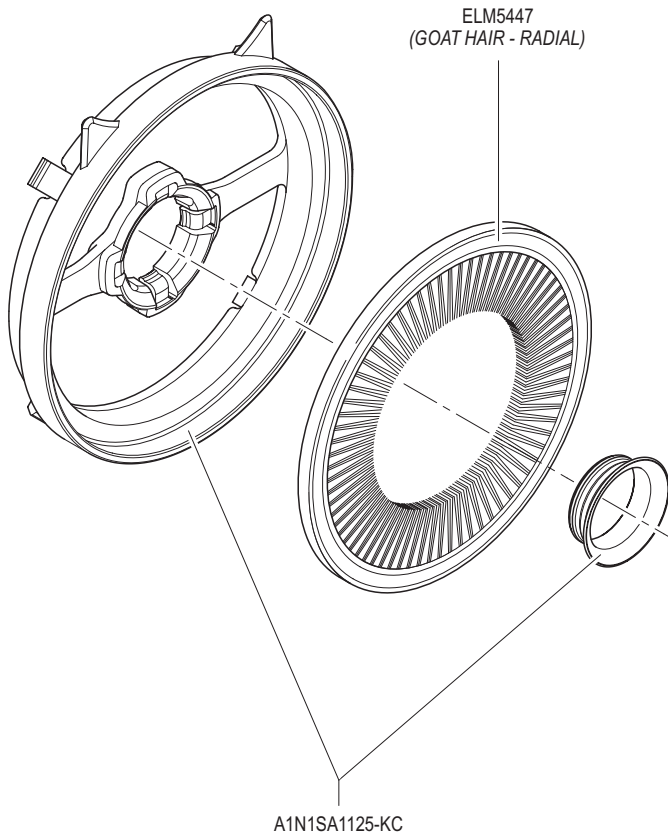
(Lamina Type)



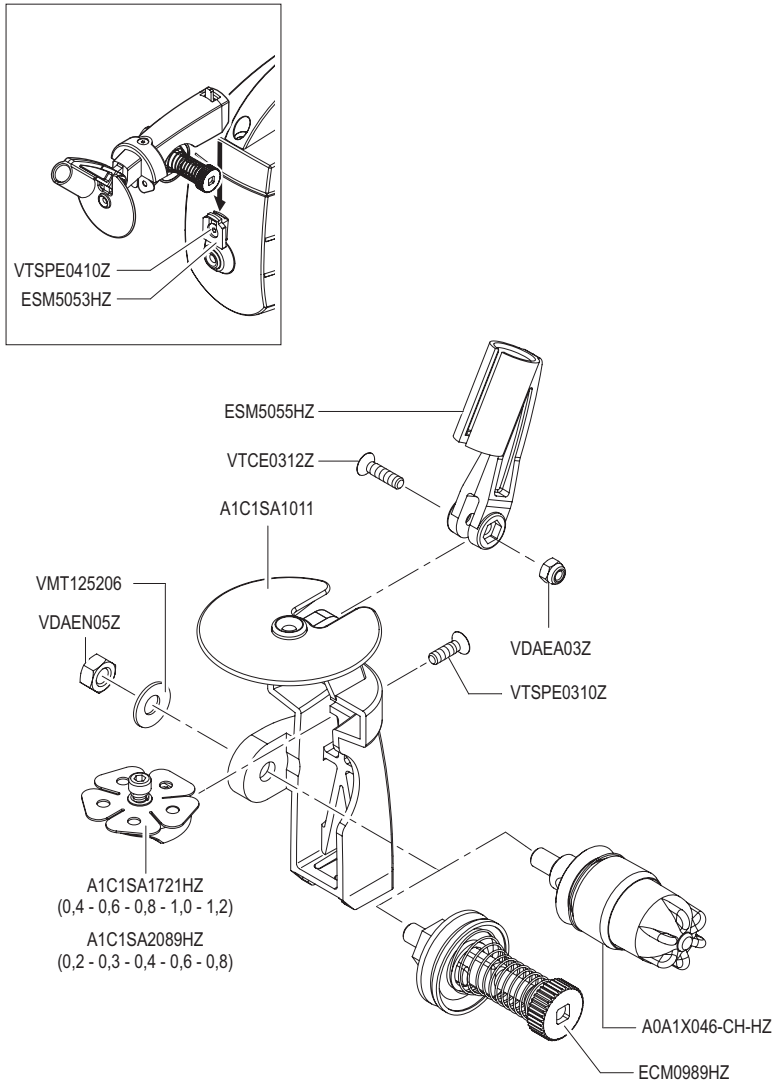
EXPLODED VIEW - TAB. 4.1.1



EXPLODED VIEW - TAB. 4.2

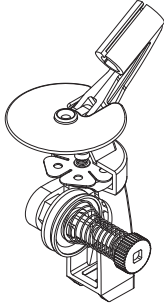


EXPLODED VIEW - TAB. 5.1

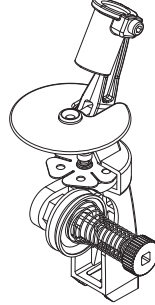


EXPLODED VIEW - TAB. 5.2

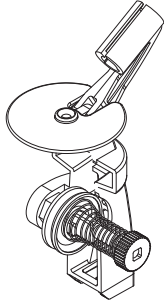
A1C3S900-T10HZ



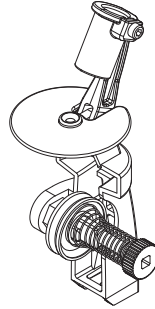
A1C3S900-S10HZ



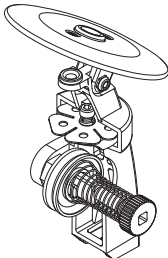
A1C2SA207-T10HZ



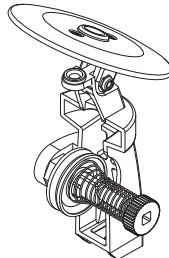
A1C2SA207-S10HZ



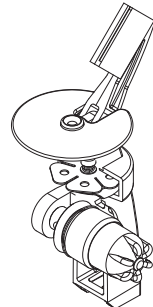
A1C3S881-ABHZ



A1C3S888-ABHZ

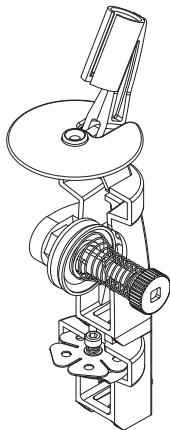


A1C3S946-T10HZ

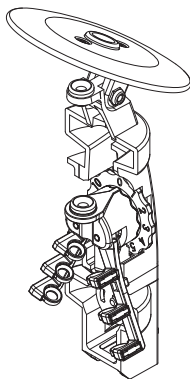


EXPLODED VIEW - TAB. 5.3

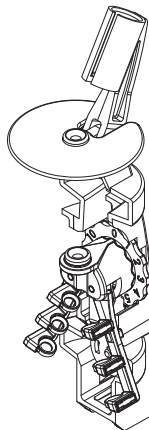
A1C3S929HZ



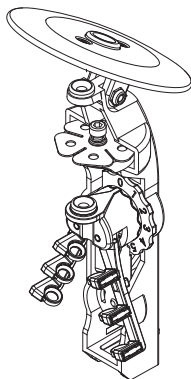
A1C3SA088-05-ABHZ



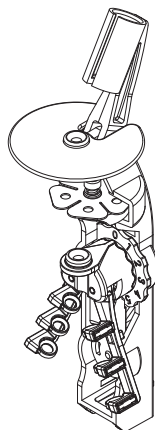
A1C3SA088-05-T10HZ



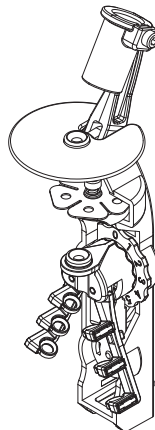
A1C3SA089-05-ABHZ



A1C3SA089-05-T10HZ

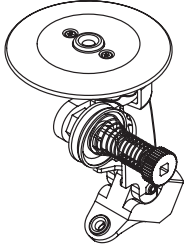


A1C3SA089-05-S10HZ

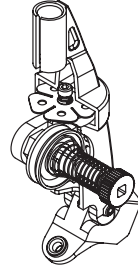


EXPLODED VIEW - TAB. 5.4

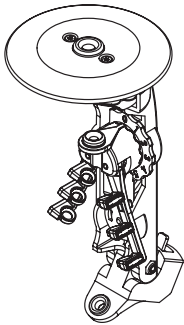
A1C3SA045-ABHZ



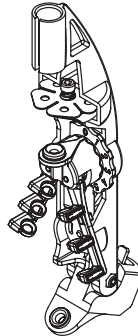
A1C3SA045-T10HZ



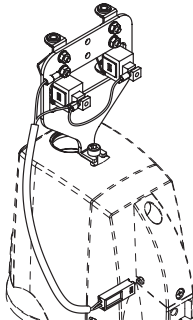
A1C3SA165-05-ABHZ



A1C3SA165-05-T10HZ



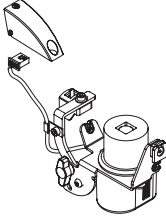
A1C1SA1119MCR



A1C1SA2291HZ-0150

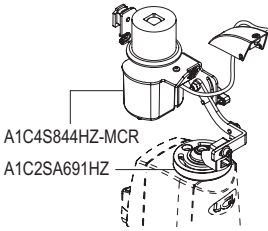
WAXING UNIT - TAB. 5.5

A1C4S844HZ-MCR



Horizontal Version basic

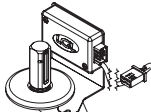
A1C4S844HZ-MCR-V



Vertical Version basic

FEEDER WITHOUT ADDRESS

A1C4S846HZ

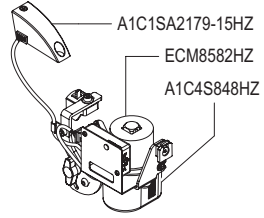


A1C3SA179HZ

A1C3SA181HZ

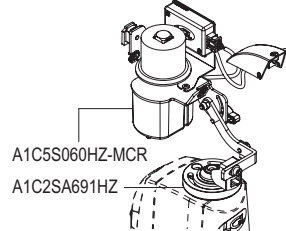
Wax End Upgrade Sensor

A1C5S060HZ-MCR



Horizontal Version complete

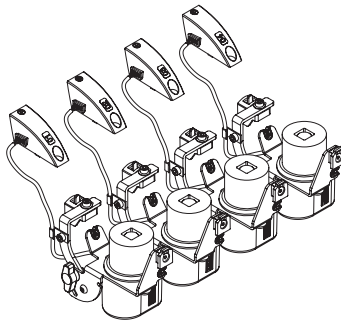
A1C5S060HZ-MCR-V



Vertical Version complete

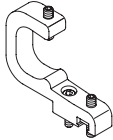
FEEDER WITH ADDRESS

A1C4S844HZ-XXX



EXPLODED VIEW - TAB. 6

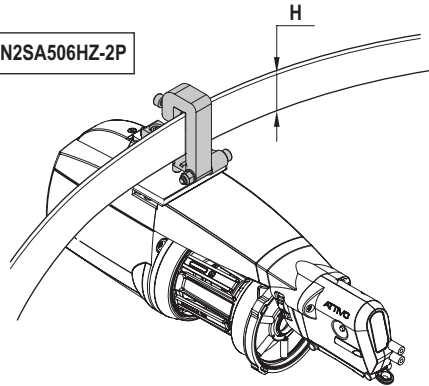
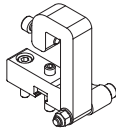
A2N1SA1321HZ-2P



A1C1SA1368HZ



A2N2SA506HZ-2P



EXPLODED VIEW - TAB. 7.1

A3N1SA566HZ

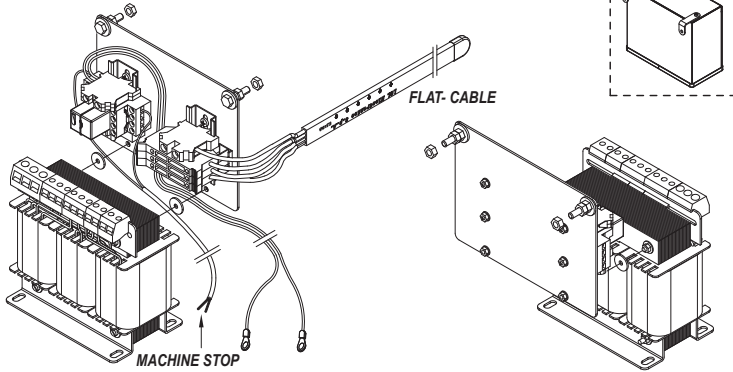
TRANSFORMER ASSEMBLY KIT
UP TO 8/10 FEEDERS (AC)

A3N3SA035-05HZ

TRANSFORMER ASSEMBLY KIT
UP TO 5 FEEDERS (AC)

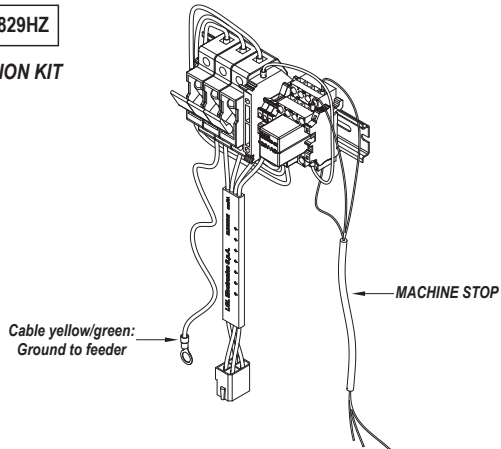
A3N3SA036-05HZ

TRANSFORMER ASSEMBLY KIT
UP TO 5 FEEDERS - ECOMINI + SPIN2 (AC)



A3N2S829HZ

DERIVATION KIT



EXPLODED VIEW - TAB. 7.2

A3N2SA525GT08-48HZ DC KIT SEAMLESS UP TO 8

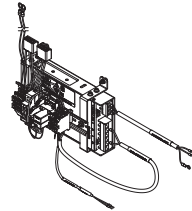
A3N2SA569-48HZ

WITHOUT BOX

STOP 320W

A3N2SA546-48HZ

CAN500W



A3N3SA107-06-48HZ

CAN320W

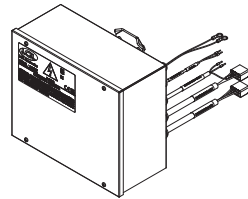
A3N3SA107-12-48HZ

WITH BOX

CAN500W

A3N3SA107-24-48HZ

CAN1000W



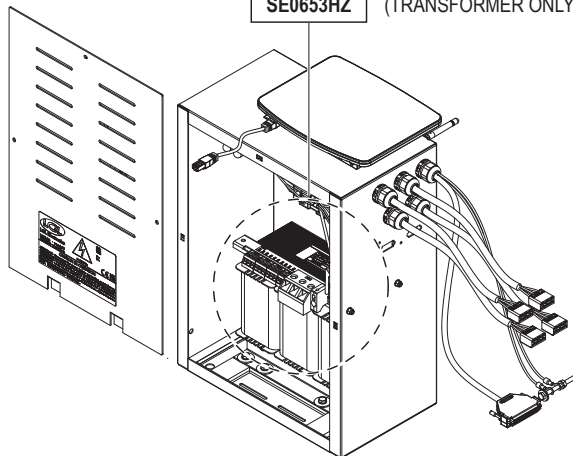
ECM6889

MEANWELL 320W 48V

ECM6919

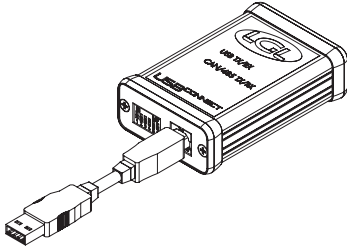
MEANWELL 500W 48V

SE0653HZ (TRANSFORMER ONLY)

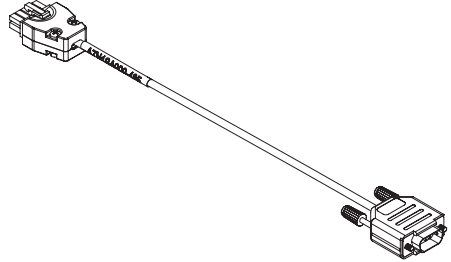


EXPLODED VIEW - TAB. 8.2

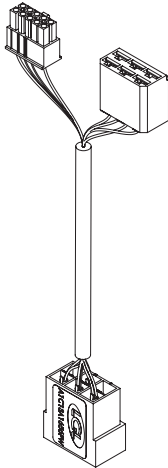
USB CONNECT
A3N2SA365-15



A7N1SA909-485

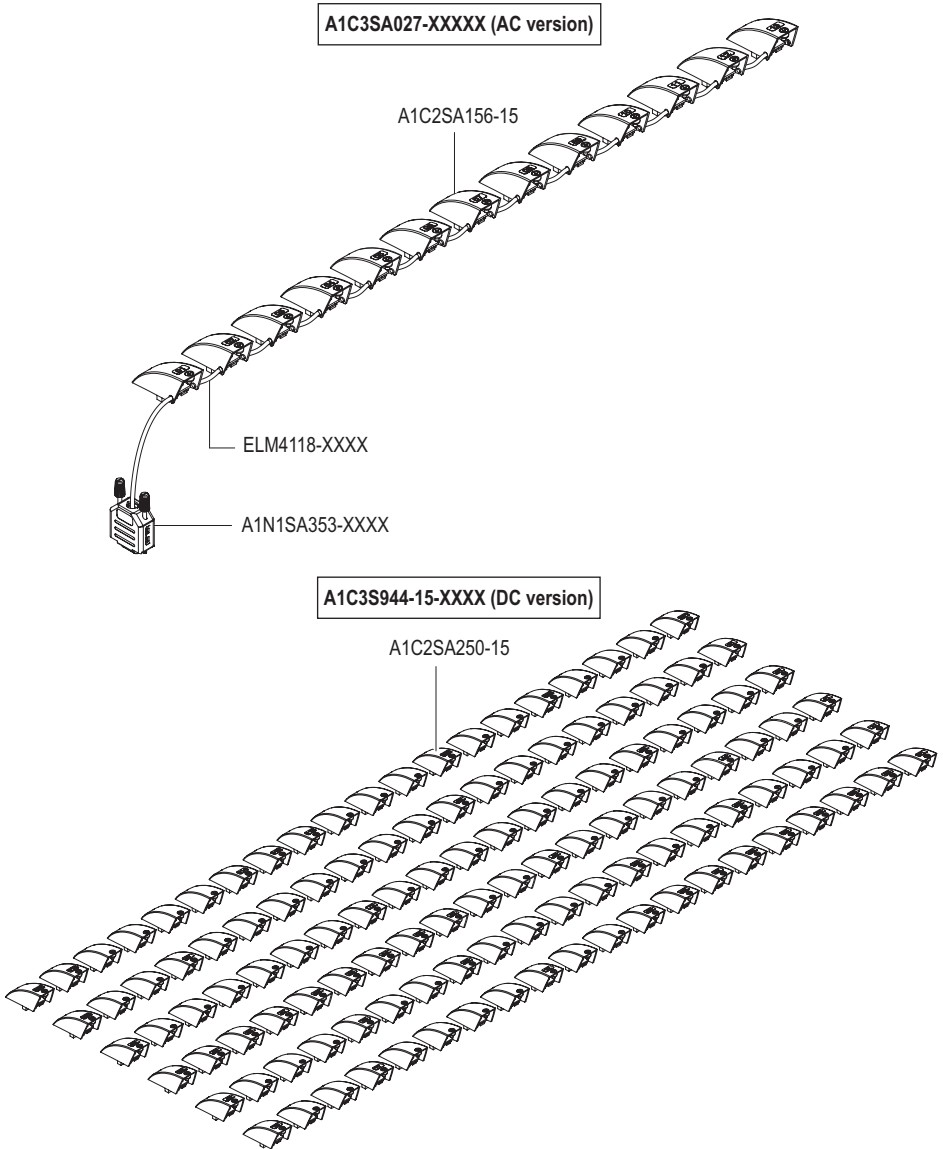


A1C1SA1656PW

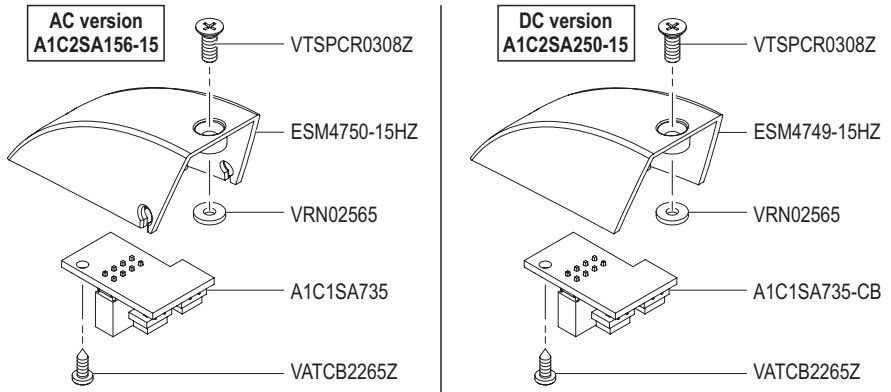


ECM6770 + USB

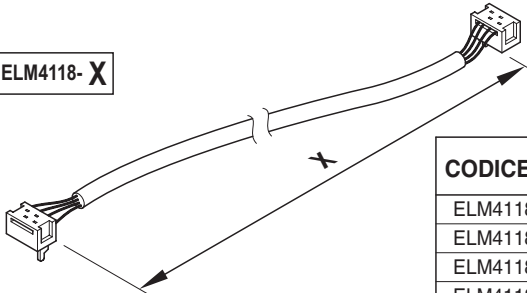
EXPLODED VIEW - TAB. 9.1



EXPLODED VIEW - TAB. 9.2

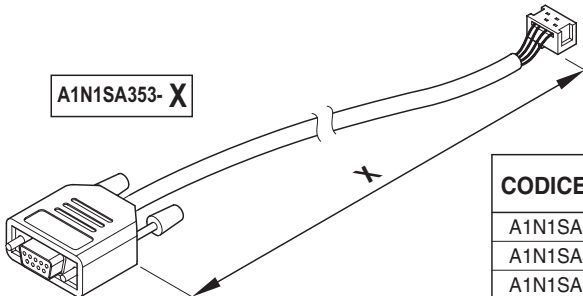


ELM4118- X



CODICE / CODE	X
ELM4118-0200	200
ELM4118-0500	500
ELM4118-1000	1000
ELM4118-1600	1600
ELM4118-2000	2000
ELM4118-3000	3000

A1N1SA353- X



CODICE / CODE	X
A1N1SA353-1500	1500
A1N1SA353-2000	2000
A1N1SA353-4000	4000
A1N1SA353-6000	6000



L.G.L. Electronics (Hangzhou) CO.Ltd.

Building 17, 189 Hongcan Road,
Hongken Nongchang, Economic Development Zone,
Xiaoshan District, Hangzhou, Zhejiang
T: +86-571-82877258
F: +86-571-82877268
Email: lglhz@lgl.it

爱吉尔电子(杭州)有限公司
浙江省杭州市萧山区经济技术开发区红垦农场红
灿路189号17幢
电话: +86 0571-82877258
传真: +86 0571-82877268
邮箱: lglhz@lgl.it

**L.G.L. Electronics (Hangzhou) Co.,
Ltd. FOSHAN Branch**

52-54 Jin Hong Street, Textile City, Xiqiao Town,
Nanhai District, Foshan, Guangdong
T: +86-757-86819435
F: +86-757-86898258
Email: yli@lgl.it

爱吉尔电子(杭州)有限公司佛山分公司
广东省佛山市南海区西樵轻纺城锦虹街52-54号
电话: +86-757-86819435
传真: +86-757-86898258
邮箱: yli@lgl.it

**L.G.L. Electronics (Hangzhou) Co.,Ltd. -
SHANTOU service station**

A2108, Building 15, Dongsheng New World,
Gurao Town, Chaoyang District, Shantou City,
Guangdong Province, China
T: +86-757-86819435
F: +86-757-86898258
Email: yli@lgl.it

爱吉尔电子(杭州)有限公司 - 汕头服务点
中国广东省汕头市潮阳区谷饶镇东升新世界15
栋A2108
电话: +86-757-86819435
传真: +86-757-86898258
邮箱: yli@lgl.it

L.G.L. Electronics S.p.A. reserve the right to alter in any moment
one or more specifications of his machines for any technical or
commercial reason without prior notice and without any obligation
to supply these modifications to the machines, already installed.