

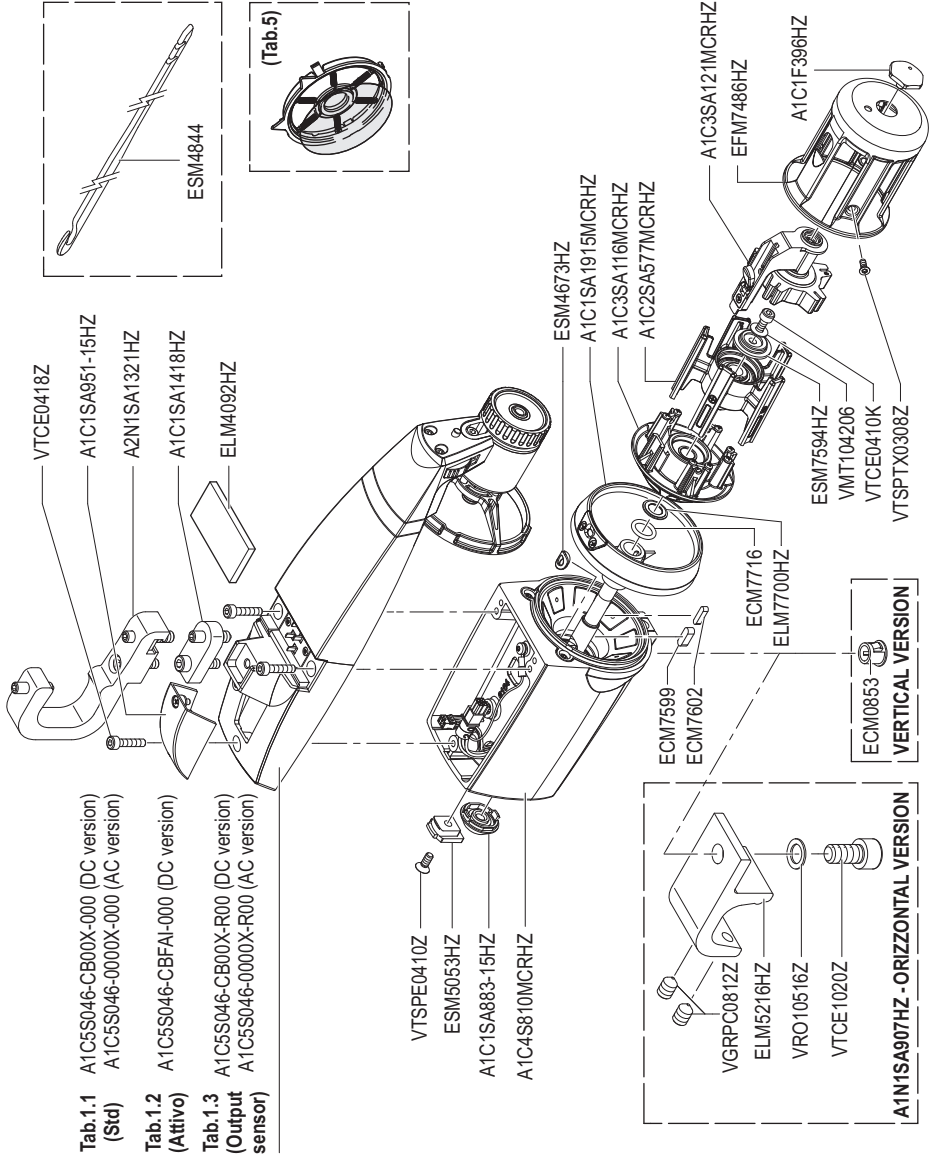


Rev. 0
04/23

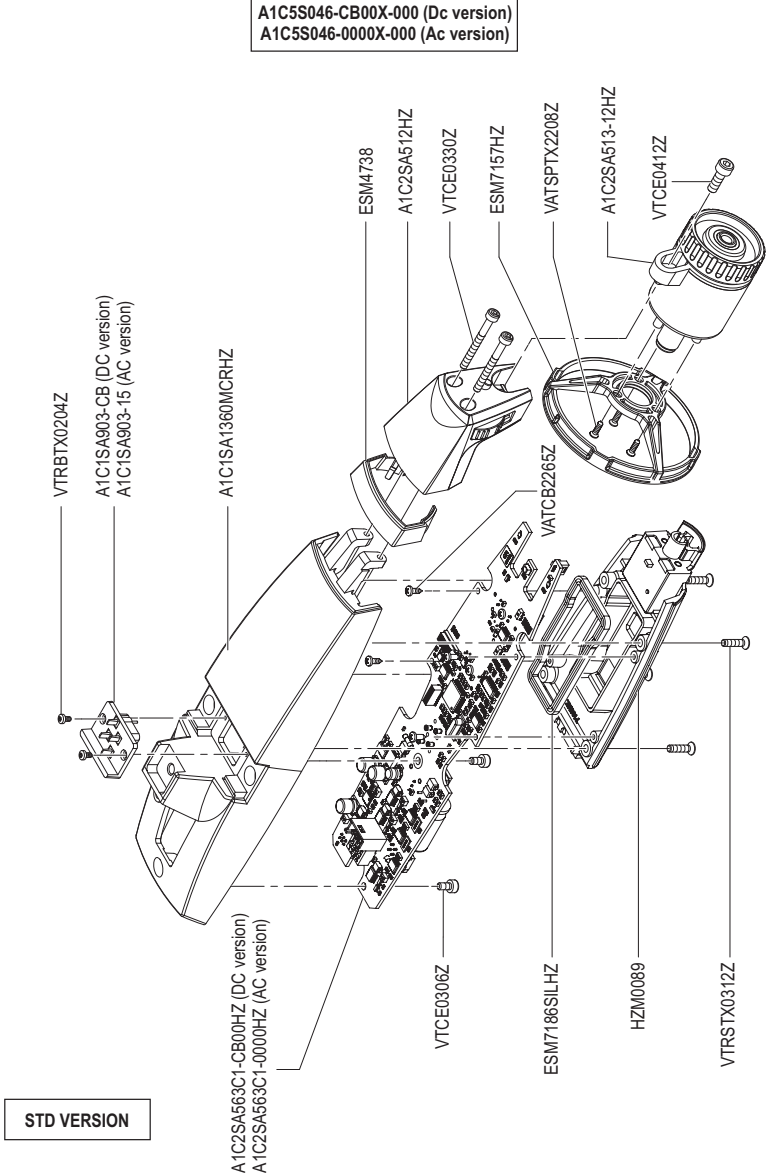
ECOMICRO

SPARE PARTS

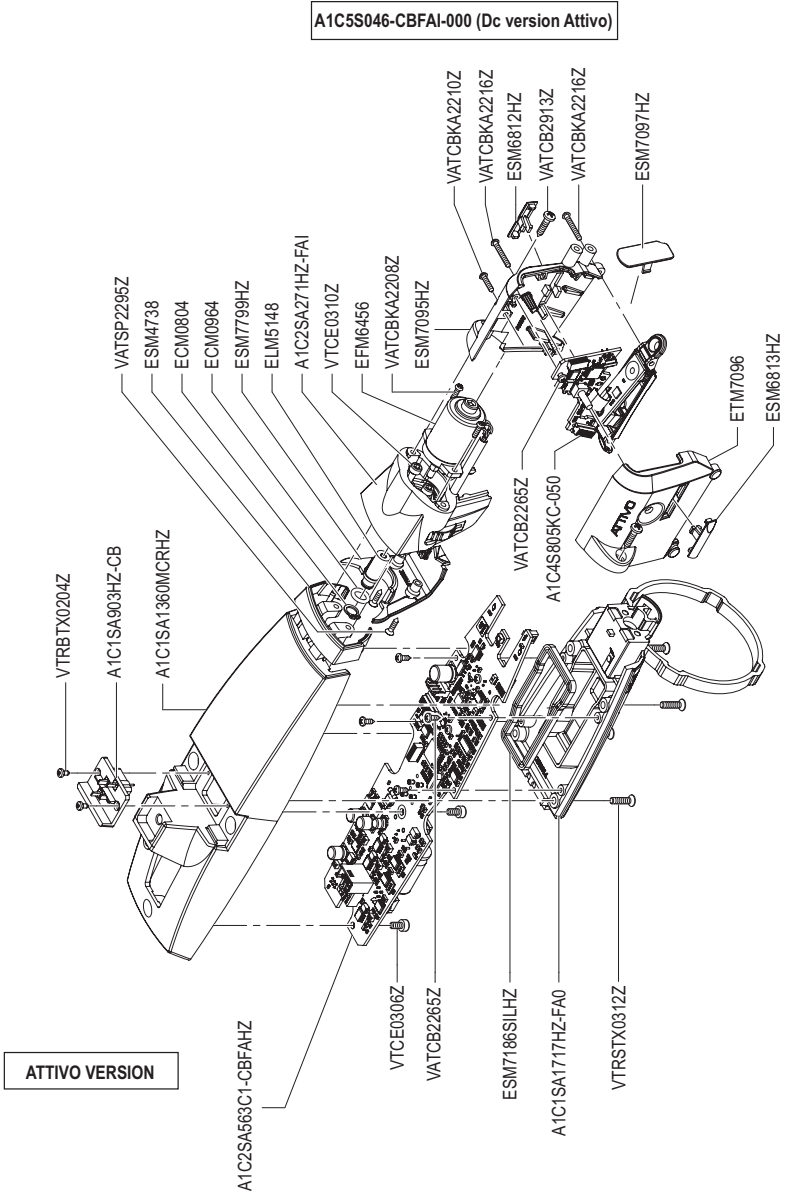
EXPLODED VIEW - TAB. 0



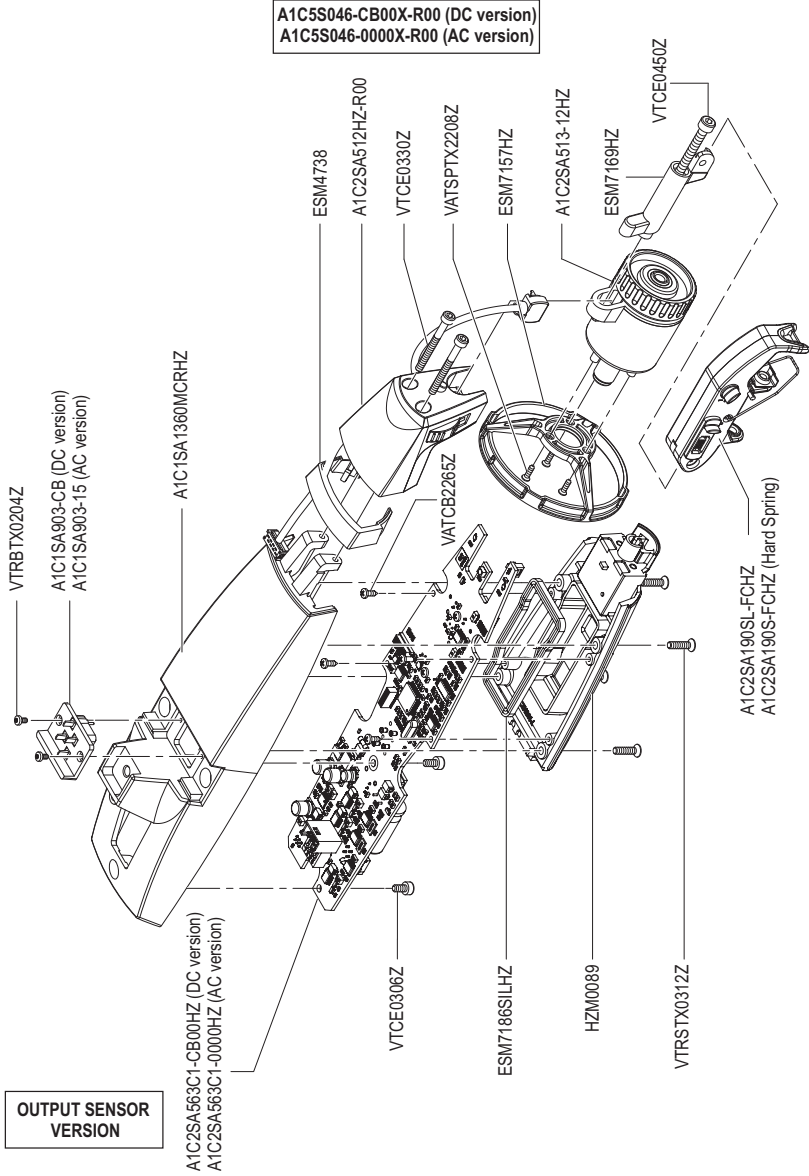
EXPLODED VIEW - TAB. 1.1



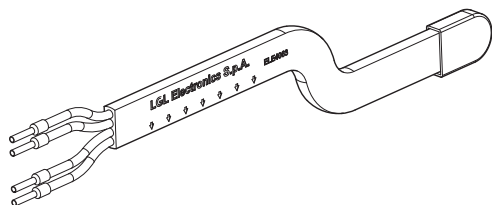
EXPLODED VIEW - TAB. 1.2



EXPLODED VIEW - TAB. 1.3

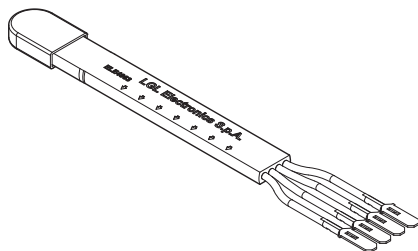
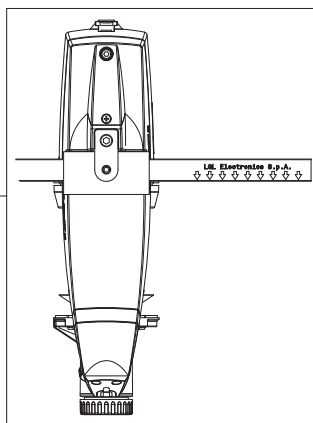


EXPLODED VIEW - TAB. 2.1

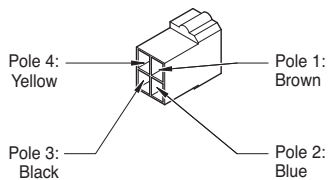


CODICE	L=XXX (mm)
A1N1SA572-2000	2000
A1N1SA572-5000	5000
A1N1SA572-6000	6000
A1N1SA572-8000	8000
A1N1SA572-10000	10000
A1N1SA572-11000	11000

SOCKS



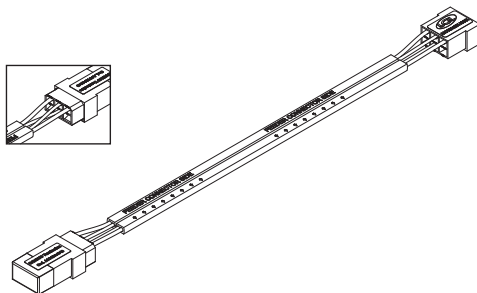
CODICE	L=XXX (mm)
A1C1SA1000-1500	1500
A1C1SA1000-3000	3000
A1C1SA1000-3300	3300
A1C1SA1000-5000	5000
A1C1SA1000-6000	6000
A1C1SA1000-8000	8000
A1C1SA1000-11MT	11000
A1C1SA1000-12MT	12000



LARGE DIAMETER AC

EXPLODED VIEW - TAB. 2.2

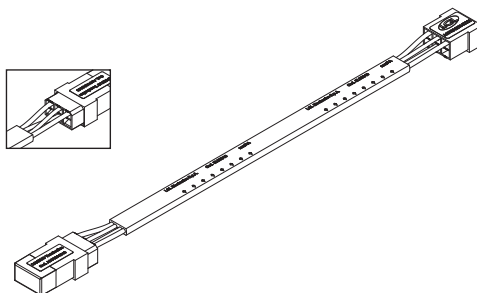
CODE (LEFT)	L=XXX (mm)
A1C2SA391-015L	1500
A1C2SA391-020L	2000
A1C2SA391-030L	3000
A1C2SA391-040L	4000
A1C2SA391-050L	5000
A1C2SA391-060L	6000
A1C2SA391-070L	7000
A1C2SA391-080L	8000
A1C2SA391-090L	9000
A1C2SA391-100L	10000
A1C2SA391-110L	11000
A1C2SA391-120L	12000
A1C2SA391-140L	14000



LARGE DIAMETER DC - LEFT

EXTENSION CABLE: A1C1SA1251-XXXX

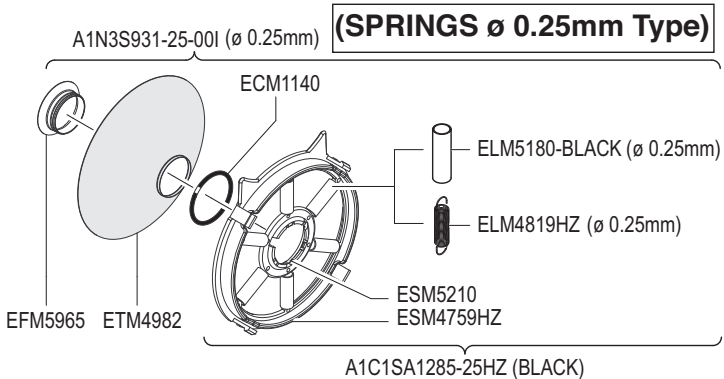
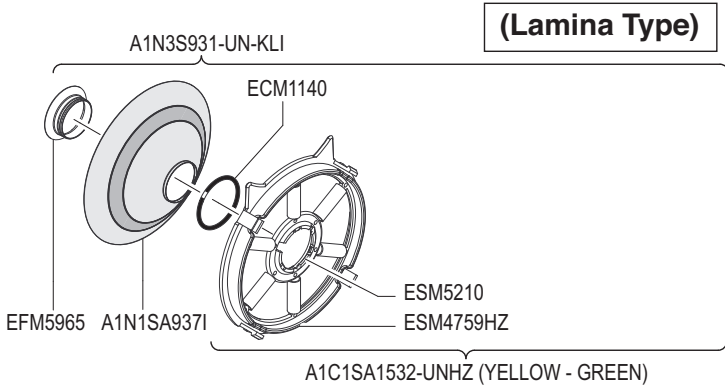
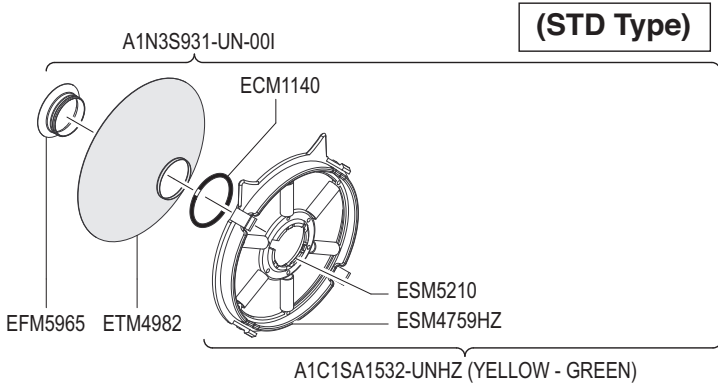
CODE (RIGHT)	L=XXX (mm)
A1C2SA391-015R	1500
A1C2SA391-020R	2000
A1C2SA391-030R	3000
A1C2SA391-040R	4000
A1C2SA391-050R	5000
A1C2SA391-060R	6000
A1C2SA391-070R	7000
A1C2SA391-080R	8000
A1C2SA391-090R	9000
A1C2SA391-100R	10000
A1C2SA391-110R	11000
A1C2SA391-120R	12000
A1C2SA391-140R	14000



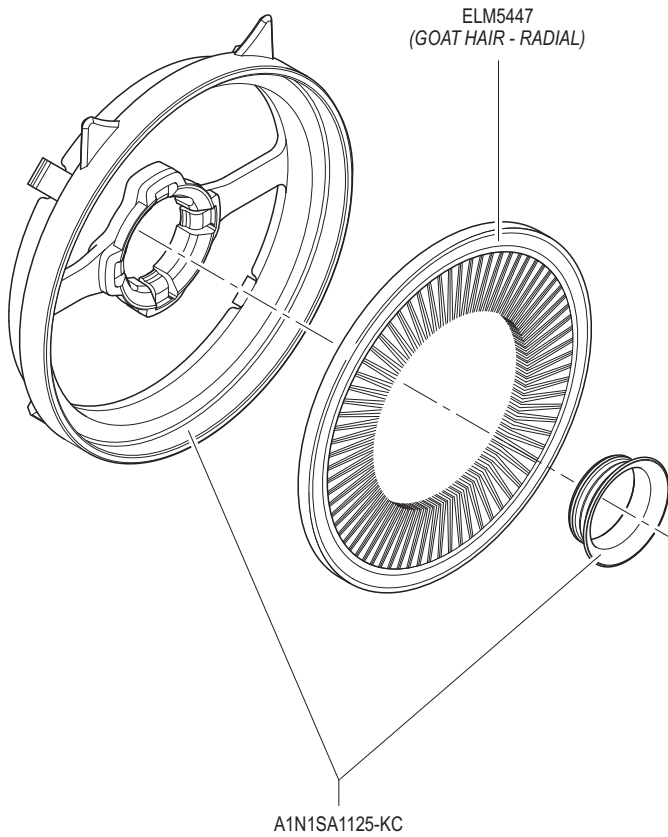
LARGE DIAMETER DC - RIGHT

EXTENSION CABLE: A1C1SA1218-XXXX

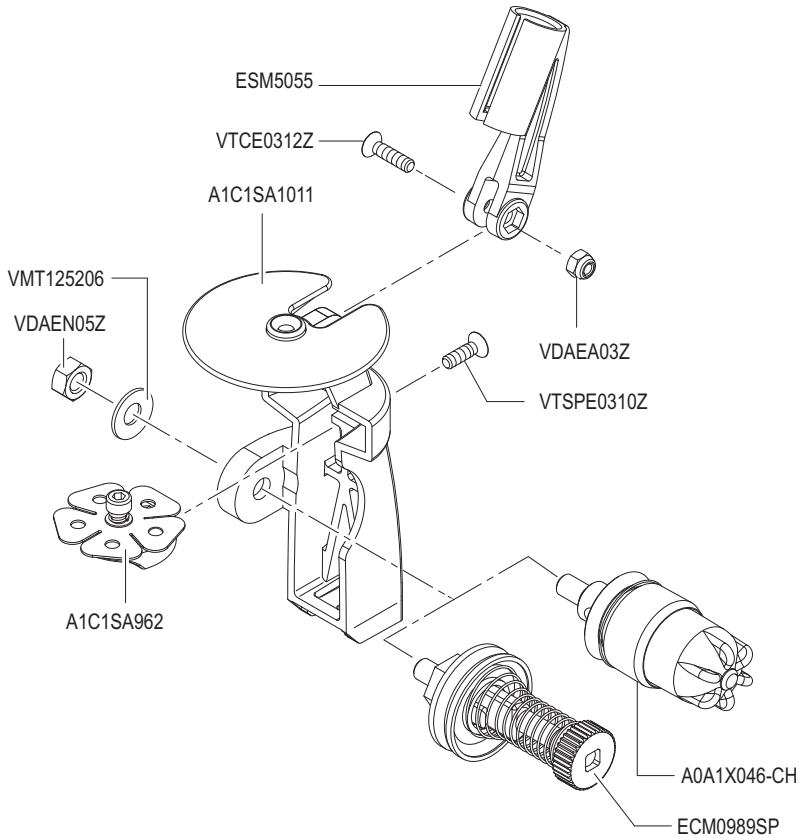
EXPLODED VIEW - TAB. 3.1



EXPLODED VIEW - TAB. 3.2

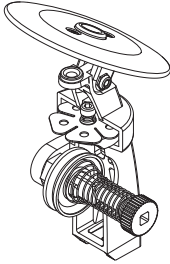


EXPLODED VIEW - TAB. 4.1

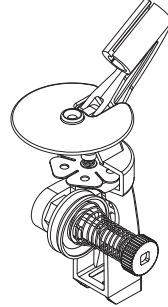


EXPLODED VIEW - TAB. 4.2

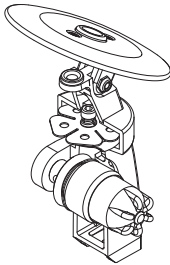
A1C3S881-AB



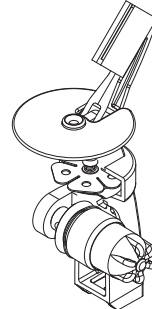
A1C3S900-T10



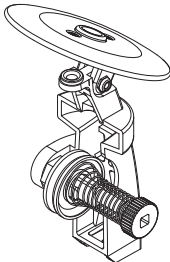
A1C3S882-AB



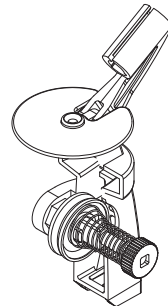
A1C3S946-T10



A1C3S888-AB

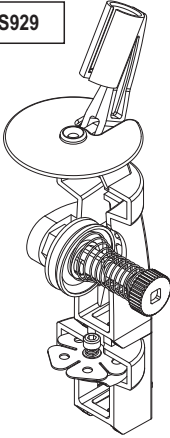


A1C2SA207-T10

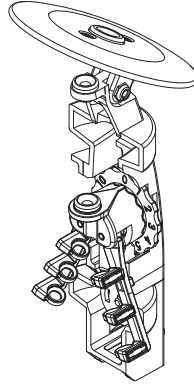


EXPLODED VIEW - TAB. 4.3

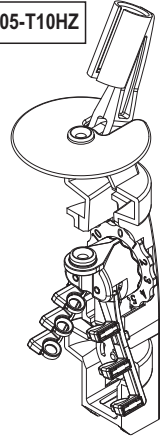
A1C3S929



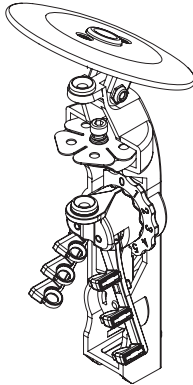
A1C3SA088-05-ABHZ



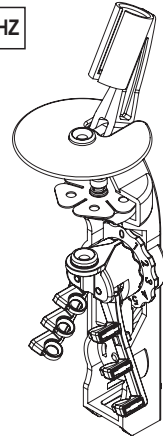
A1C3SA088-05-T10HZ



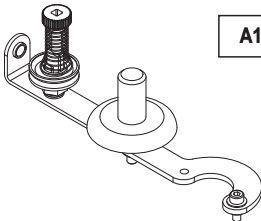
A1C3SA089-05-ABHZ



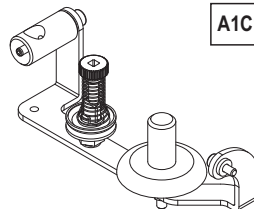
A1C3SA089-05-T10HZ



A1C1SA388

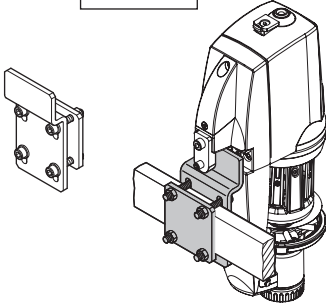


A1C1SA288-OR

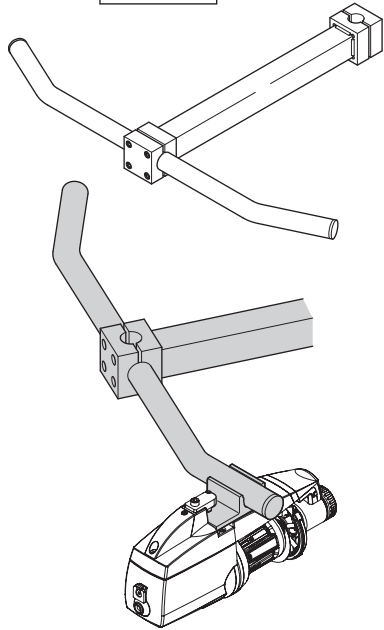


EXPLODED VIEW - TAB. 5

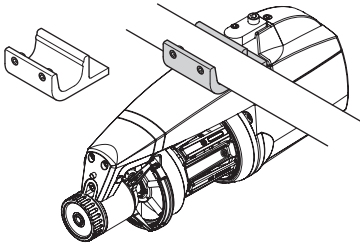
A1C1SA391



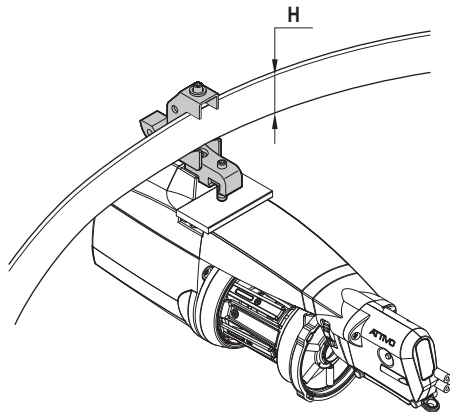
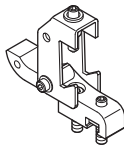
A1N1SA377



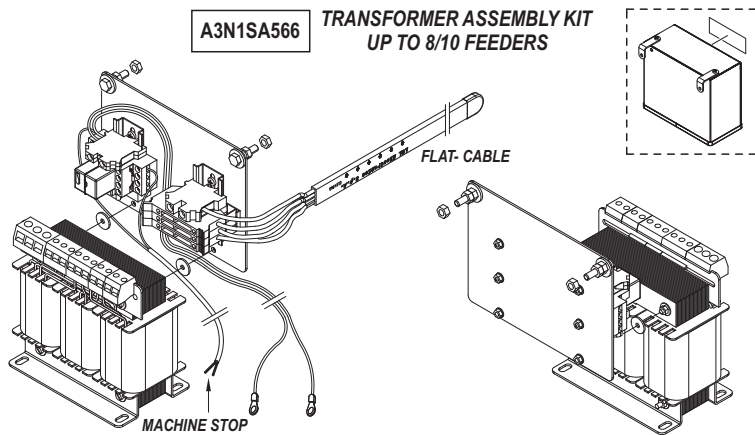
A2N1SA403



A2N2SA506HZ-4453 (H = max 25)
A2N2SA506HZ-5330 (H = max 40)

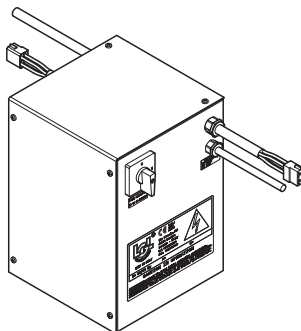


EXPLODED VIEW - TAB. 6.1



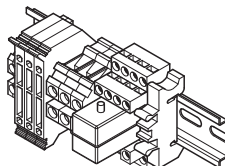
A3N2S827 - 12
- 24
- 36
- 48

POWER SUPPLY
BOX

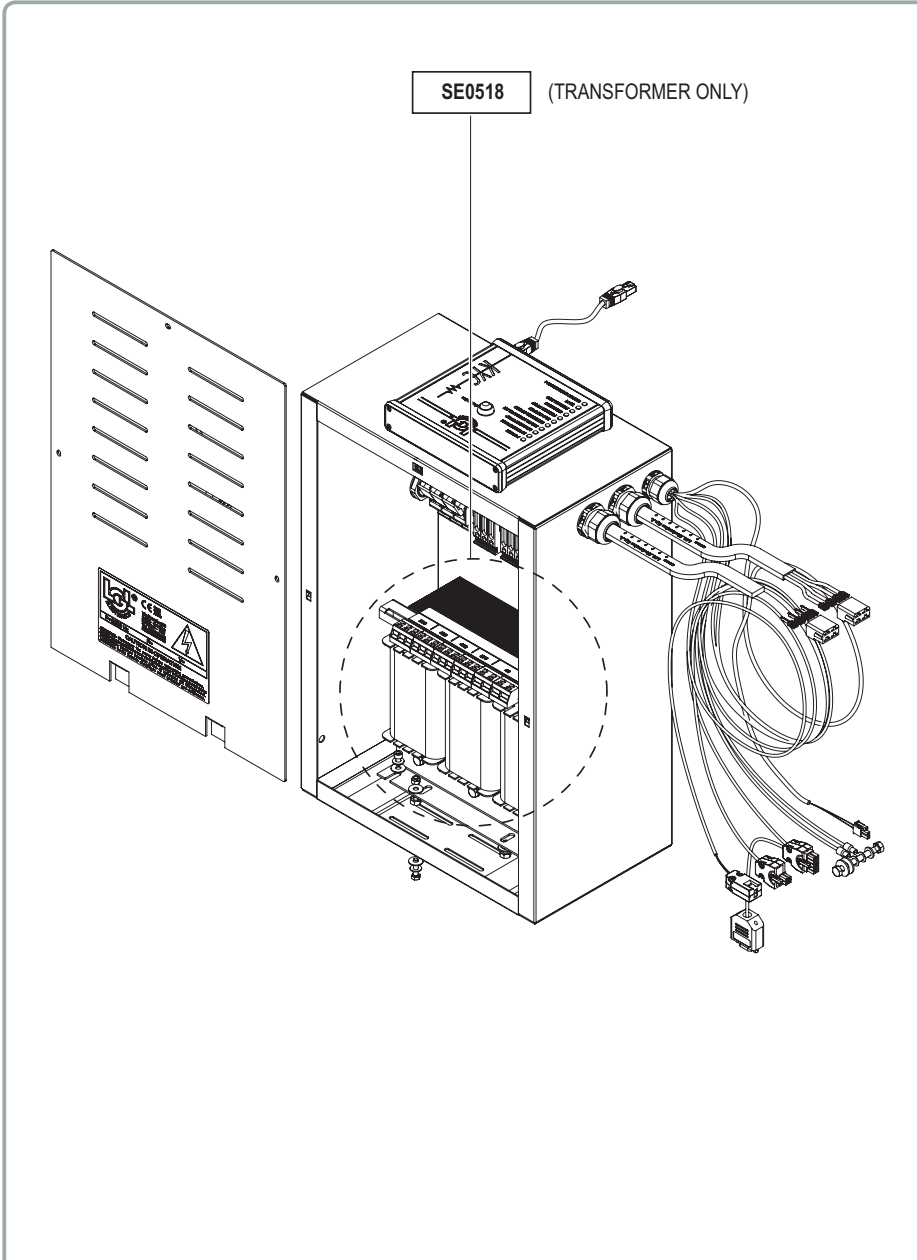


A3N2S829

DERIVATION KIT

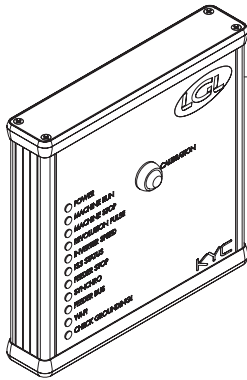
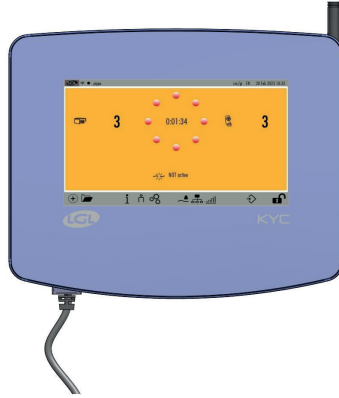


EXPLODED VIEW - TAB. 6.2

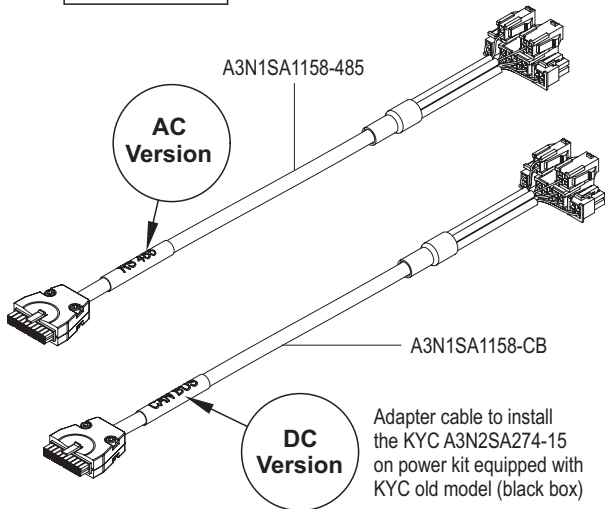


EXPLODED VIEW - TAB. 7.1

KYC TOUCH
A3N3SA111-STD

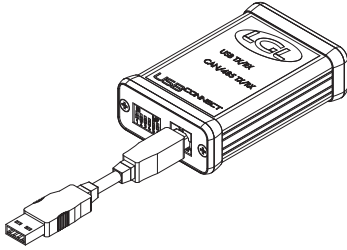


KYC
A3N2SA274-15

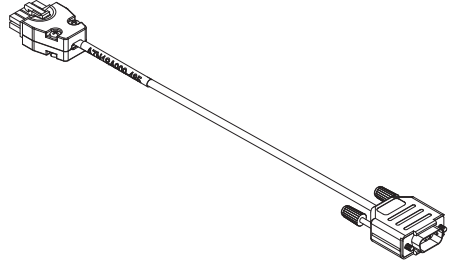


EXPLODED VIEW - TAB. 7.2

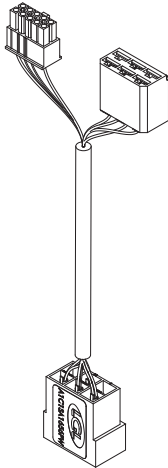
USB CONNECT
A3N2SA365-15



A7N1SA909-485

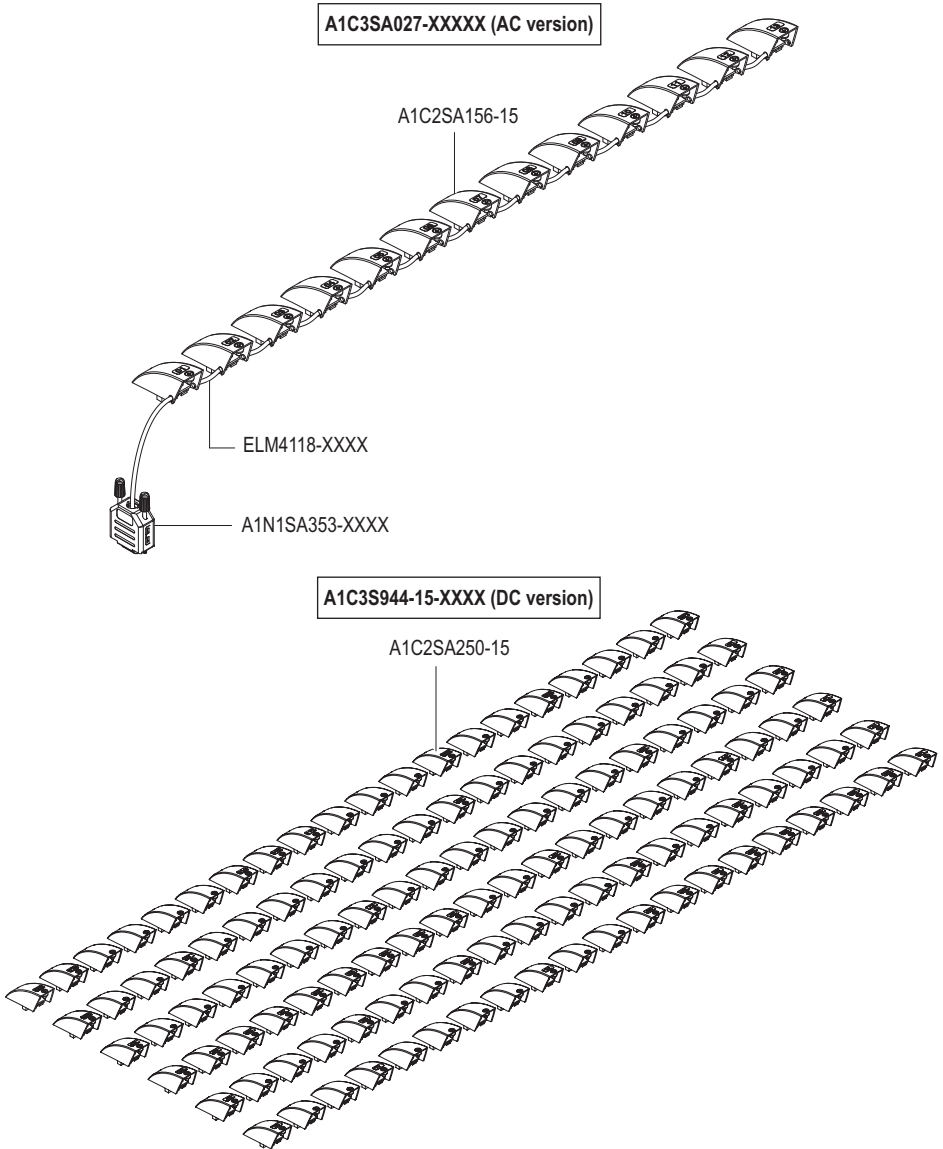


A1C1SA1656PW

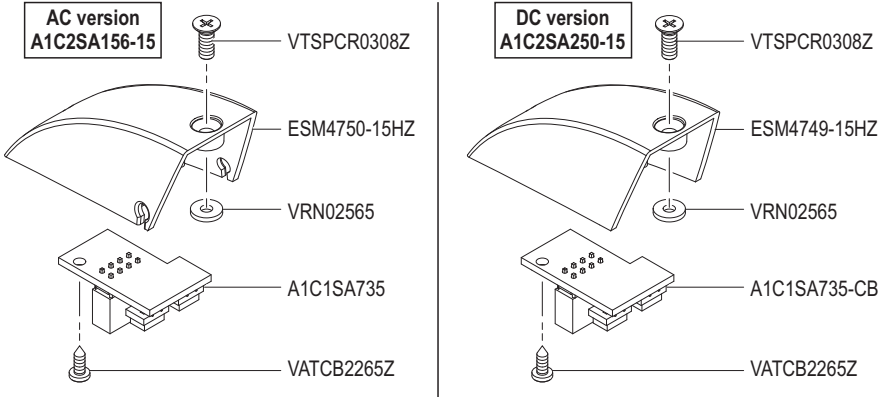


ECM6770 + USB

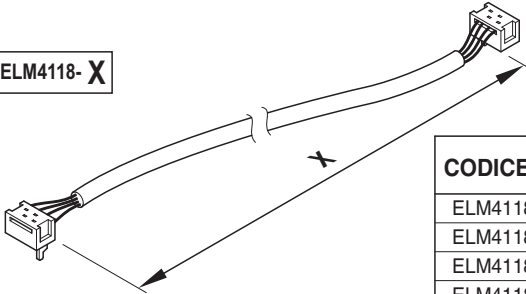
EXPLODED VIEW - TAB. 8.1



EXPLODED VIEW - TAB. 8.2

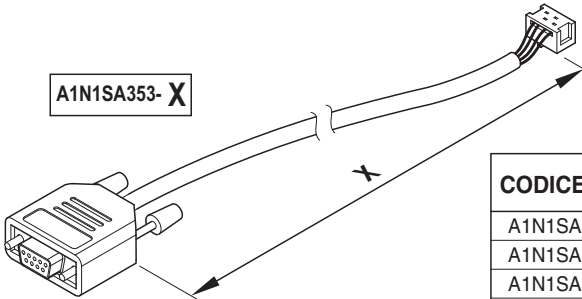


ELM4118- X



CODICE / CODE	X
ELM4118-0200	200
ELM4118-0500	500
ELM4118-1000	1000
ELM4118-1600	1600
ELM4118-2000	2000
ELM4118-3000	3000

A1N1SA353- X



CODICE / CODE	X
A1N1SA353-1500	1500
A1N1SA353-2000	2000
A1N1SA353-4000	4000
A1N1SA353-6000	6000



L.G.L. Electronics (Hangzhou) CO.Ltd.

Building 17, 189 Hongcan Road,
Hongken Nongchang, Economic Development Zone,
Xiaoshan District, Hangzhou, Zhejiang
T: +86-571-82877258
F: +86-571-82877268
Email: lglhz@lgl.it

爱吉尔电子(杭州)有限公司
浙江省杭州市萧山区经济技术开发区红垦农场红
灿路189号17幢
电话: +86 0571-82877258
传真: +86 0571-82877268
邮箱: lglhz@lgl.it

**L.G.L. Electronics (Hangzhou) Co.,
Ltd. FOSHAN Branch**

52-54 Jin Hong Street, Textile City, Xiqiao Town,
Nanhai District, Foshan, Guangdong
T: +86-757-86819435
F: +86-757-86898258
Email: yli@lgl.it

爱吉尔电子(杭州)有限公司佛山分公司
广东省佛山市南海区西樵轻纺城锦虹街52-54号
电话: +86-757-86819435
传真: +86-757-86898258
邮箱: yli@lgl.it

**L.G.L. Electronics (Hangzhou) Co.,Ltd. -
SHANTOU service station**

A2108, Building 15, Dongsheng New World,
Gurao Town, Chaoyang District, Shantou City,
Guangdong Province, China
T: +86-757-86819435
F: +86-757-86898258
Email: yli@lgl.it

爱吉尔电子(杭州)有限公司 - 汕头服务点
中国广东省汕头市潮阳区谷饶镇东升新世界15
栋A2108
电话: +86-757-86819435
传真: +86-757-86898258
邮箱: yli@lgl.it

L.G.L. Electronics S.p.A. reserve the right to alter in any moment
one or more specifications of his machines for any technical or
commercial reason without prior notice and without any obligation
to supply these modifications to the machines, already installed.