

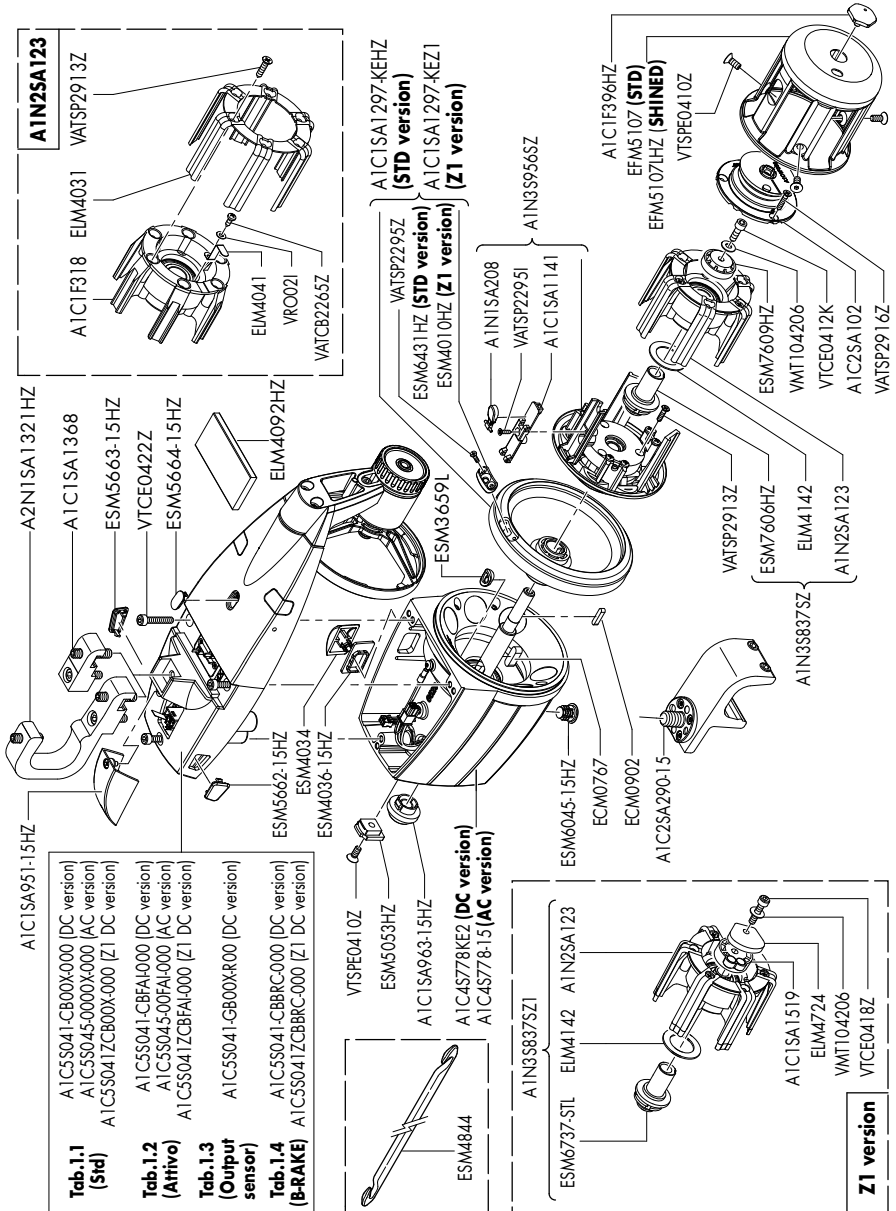


Rev. 0  
04/22

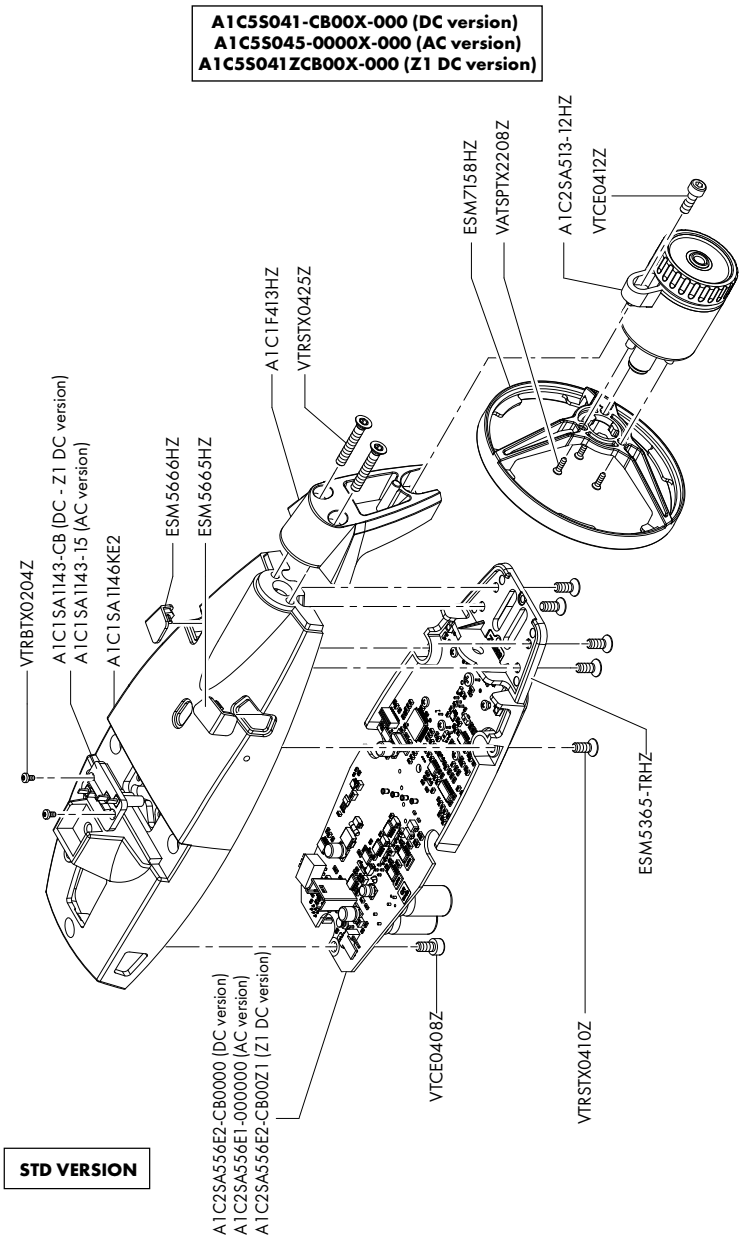
# ECO POWER 2

**SPARE PARTS**

# EXPLODED VIEW - TAB. 0

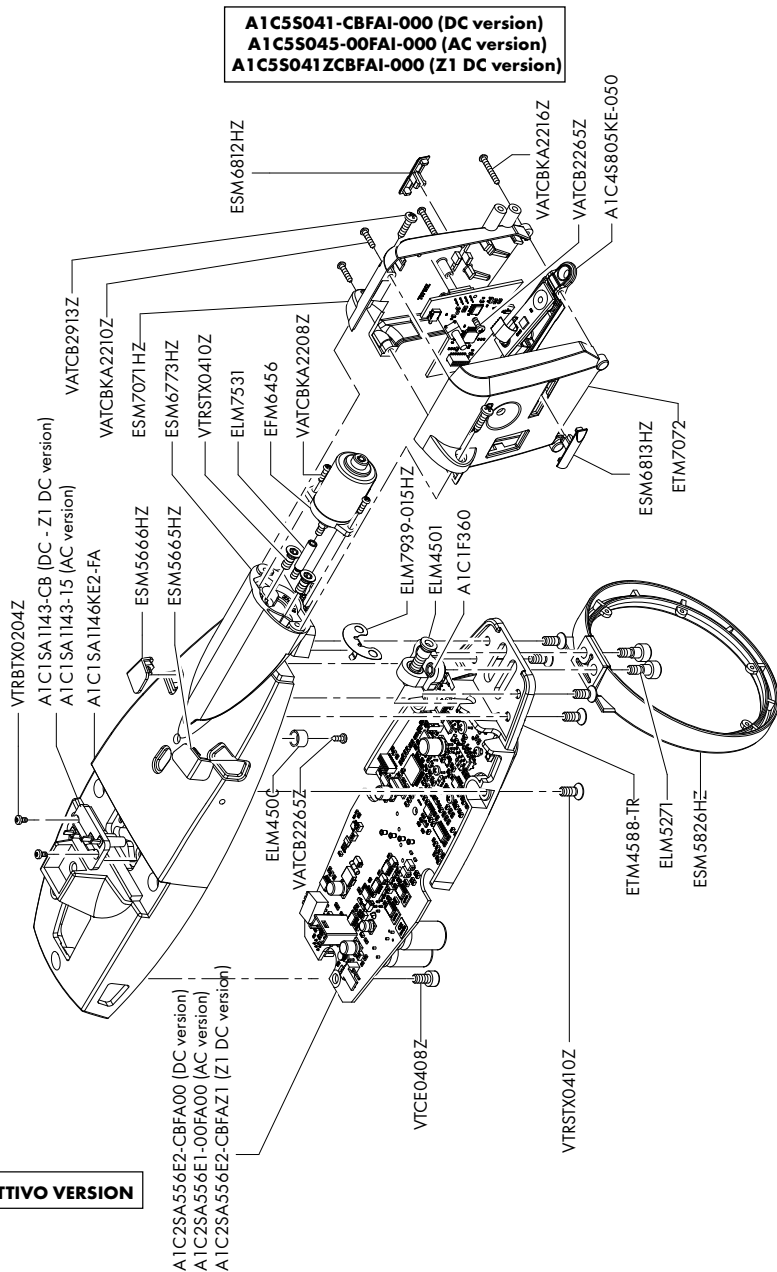


# EXPLODED VIEW - TAB. 1.1

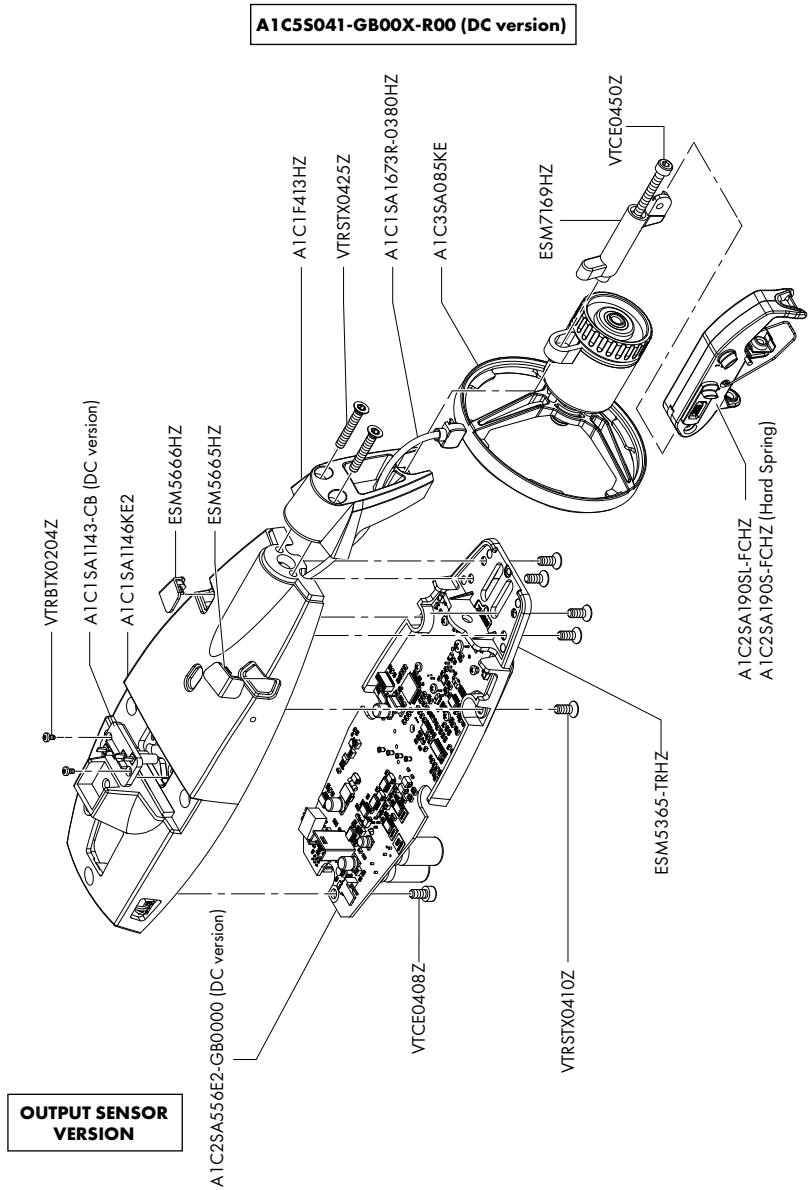


# EXPLODED VIEW - TAB. 1.2

**ATTIVO VERSION**

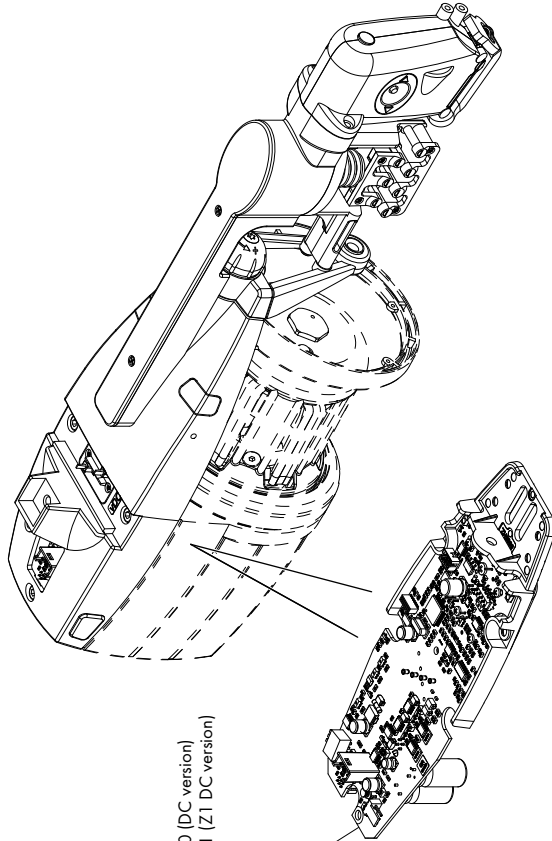


# EXPLODED VIEW - TAB. 1.3



# EXPLODED VIEW - TAB. 1.4

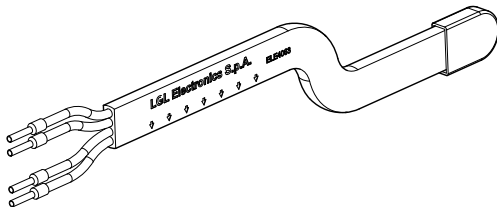
**A1C55041-CBBRC-000 (DC version)**  
**A1C55041ZCBBRC-000 (Z1 DC version)**



**B-RAKE  
VERSION**

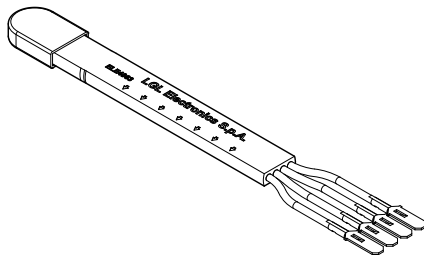
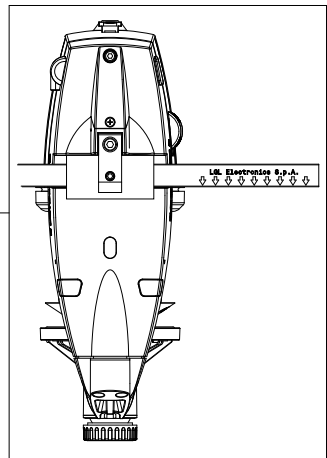
A1C2SA499E2-CBFA00 (DC version)  
A1C2SA499E2-CBFAZ1 (Z1 DC version)

# EXPLODED VIEW - TAB. 2.1

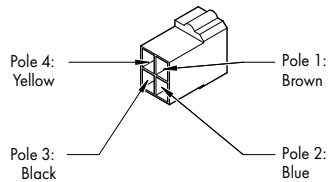


CODICE	L=XXX (mm)
A1N1SA572-2000	2000
A1N1SA572-5000	5000
A1N1SA572-6000	6000
A1N1SA572-8000	8000
A1N1SA572-10000	10000
A1N1SA572-11000	11000

**SOCKS**



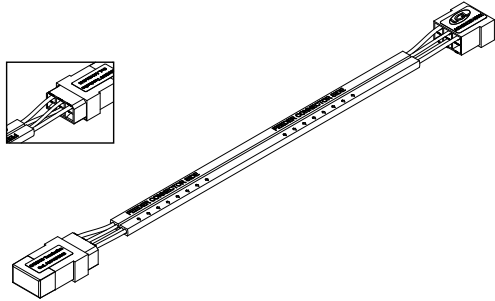
CODICE	L=XXX (mm)
A1C1SA1000-1500	1500
A1C1SA1000-3000	3000
A1C1SA1000-3300	3300
A1C1SA1000-5000	5000
A1C1SA1000-6000	6000
A1C1SA1000-8000	8000
A1C1SA1000-11MT	11000
A1C1SA1000-12MT	12000



**LARGE DIAMETER AC**

# EXPLODED VIEW - TAB. 2.2

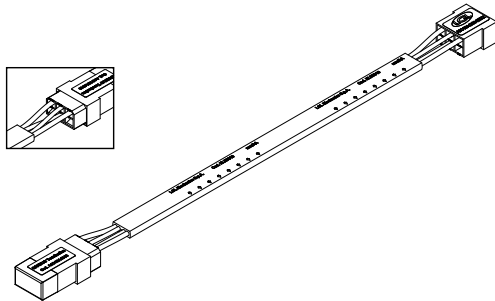
CODE (LEFT)	L=XXX (mm)
A1C2SA391-015L	1500
A1C2SA391-020L	2000
A1C2SA391-030L	3000
A1C2SA391-040L	4000
A1C2SA391-050L	5000
A1C2SA391-060L	6000
A1C2SA391-070L	7000
A1C2SA391-080L	8000
A1C2SA391-090L	9000
A1C2SA391-100L	10000
A1C2SA391-110L	11000
A1C2SA391-120L	12000
A1C2SA391-140L	14000



**LARGE DIAMETER DC - LEFT**

**EXTENSION CABLE: A1C1SA1251-XXXX**

CODE (RIGHT)	L=XXX (mm)
A1C2SA391-015R	1500
A1C2SA391-020R	2000
A1C2SA391-030R	3000
A1C2SA391-040R	4000
A1C2SA391-050R	5000
A1C2SA391-060R	6000
A1C2SA391-070R	7000
A1C2SA391-080R	8000
A1C2SA391-090R	9000
A1C2SA391-100R	10000
A1C2SA391-110R	11000
A1C2SA391-120R	12000
A1C2SA391-140R	14000



**LARGE DIAMETER DC - RIGHT**

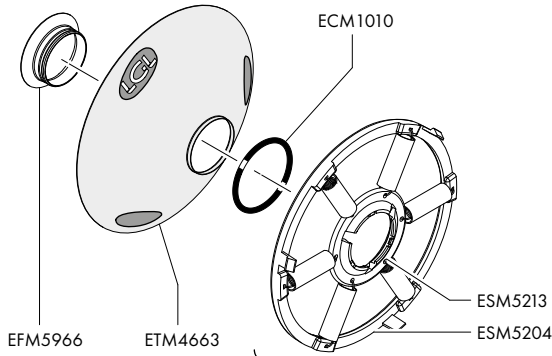
**EXTENSION CABLE: A1C1SA1218-XXXX**



# EXPLODED VIEW - TAB. 3

- A1N3S930-03-001 =  $\varnothing$  springs 0.3mm
- A1N3S930-04-001 =  $\varnothing$  springs 0.4mm
- A1N3S930-UN-001 =  $\varnothing$  springs 0.5mm

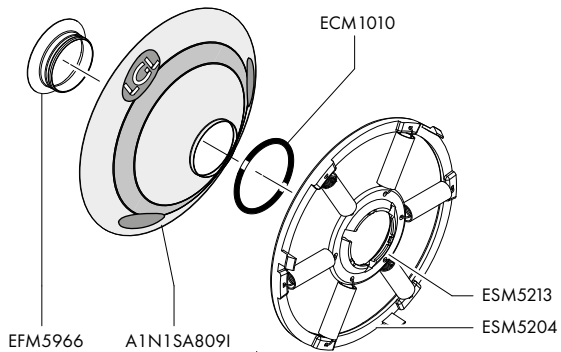
**(STD Type)**



- A1C1SA1436-03HZ ( $\varnothing$  0.3mm GREEN)
- A1C1SA1436-04HZ ( $\varnothing$  0.4mm RED)
- A1C1SA1436-UNHZ ( $\varnothing$  0.5mm YELLOW - TRANSPARENT)

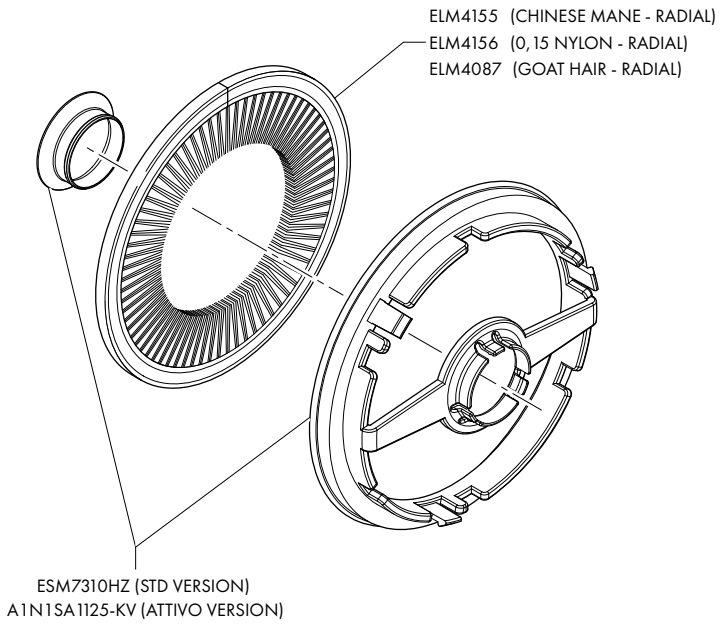
- A1N3S930-UN-KLI =  $\varnothing$  springs 0.5mm

**(Lamina Type)**

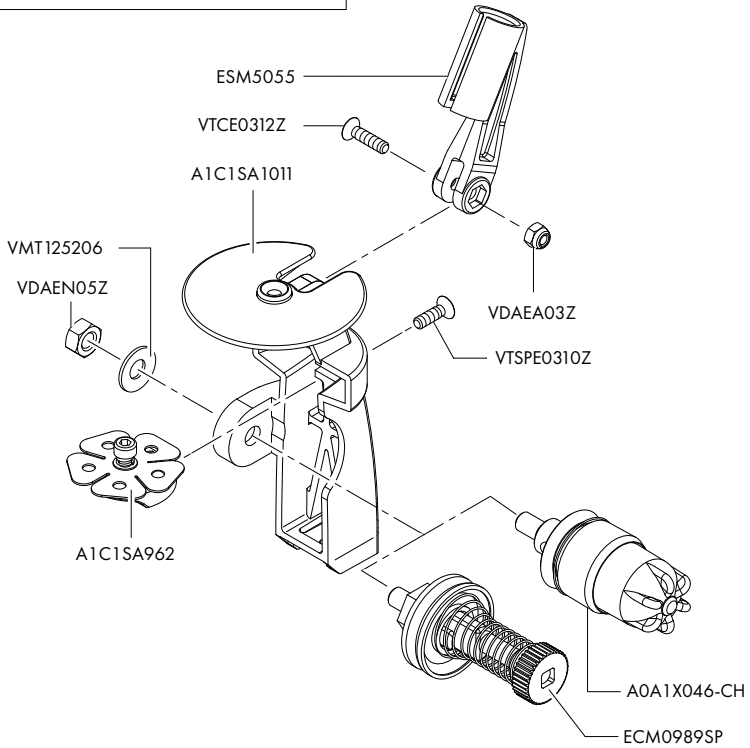
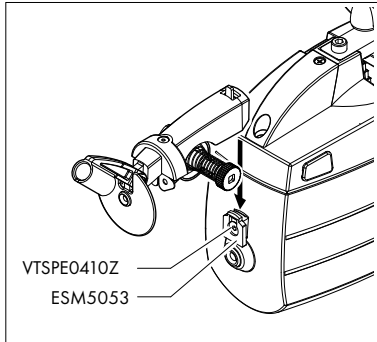


- A1C1SA1436-UNHZ (YELLOW - TRANSPARENT)

# EXPLODED VIEW - TAB. 4

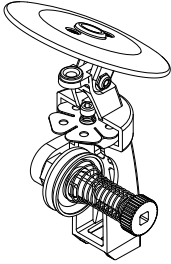


# EXPLODED VIEW - TAB. 5.1

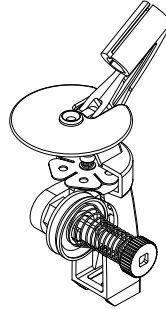


# EXPLODED VIEW - TAB. 5.2

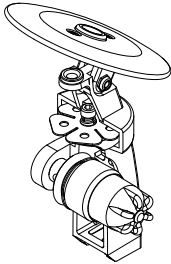
**A1C35881-AB**



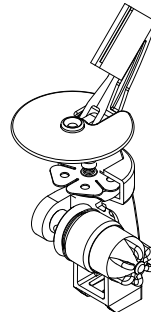
**A1C35900-T10**



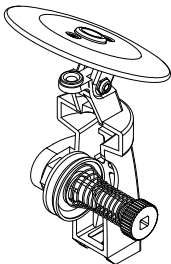
**A1C35882-AB**



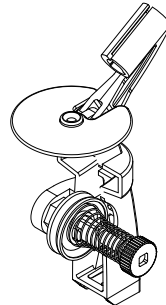
**A1C35946-T10**



**A1C35888-AB**

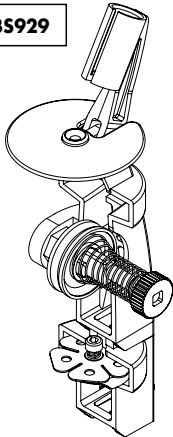


**A1C25A207-T10**

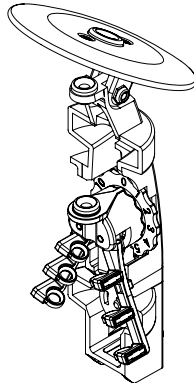


# EXPLODED VIEW - TAB. 5.3

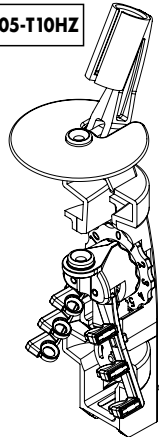
**A1C3S929**



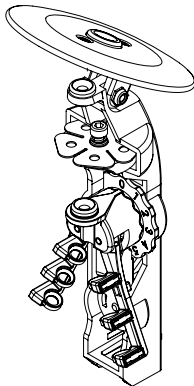
**A1C3SA088-05-ABHZ**



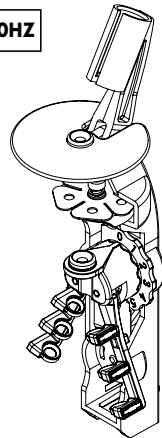
**A1C3SA088-05-T10HZ**



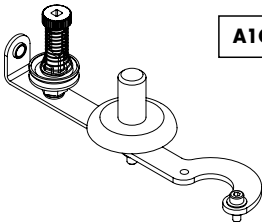
**A1C3SA089-05-ABHZ**



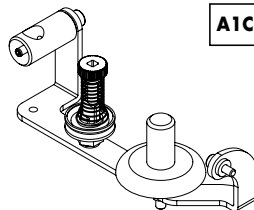
**A1C3SA089-05-T10HZ**



**A1C1SA388**

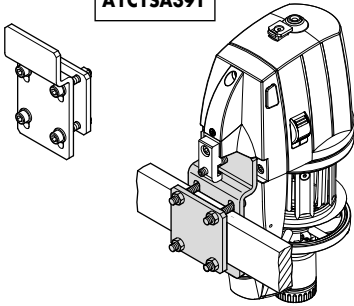


**A1C1SA288-OR**

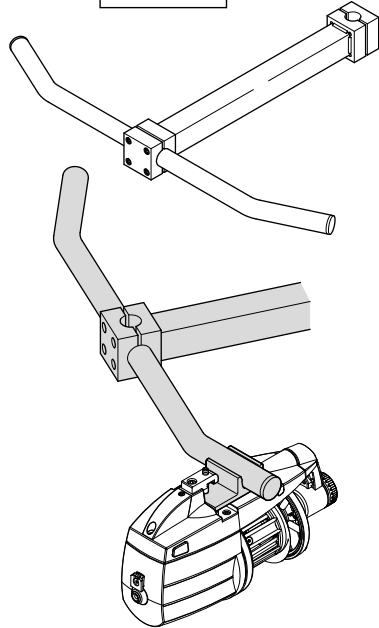


# EXPLODED VIEW - TAB. 6

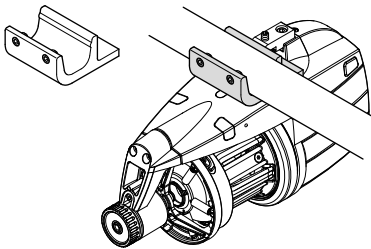
**A1C15A391**



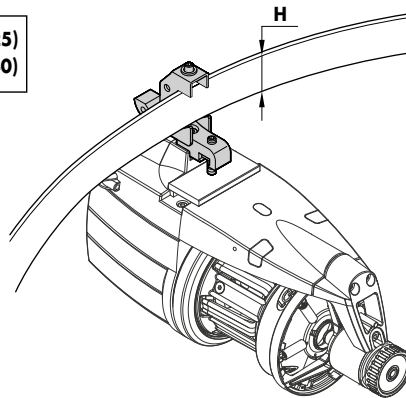
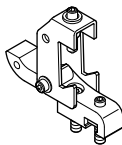
**A1N15A377**



**A2N15A403**



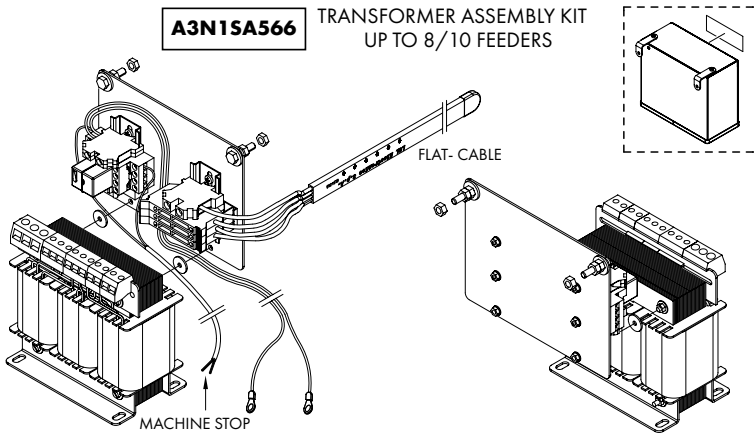
**A2N25A506HZ-4453 (H = max 25)**  
**A2N25A506HZ-5330 (H = max 40)**



# EXPLODED VIEW - TAB. 7.1

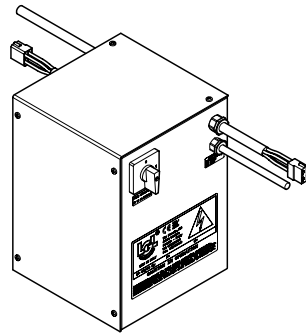
**A3N15A566**

TRANSFORMER ASSEMBLY KIT  
UP TO 8/10 FEEDERS



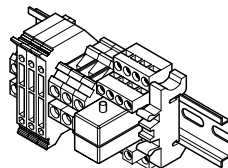
**A3N2S827 - 12**  
- 24  
- 36  
- 48

POWER SUPPLY  
BOX

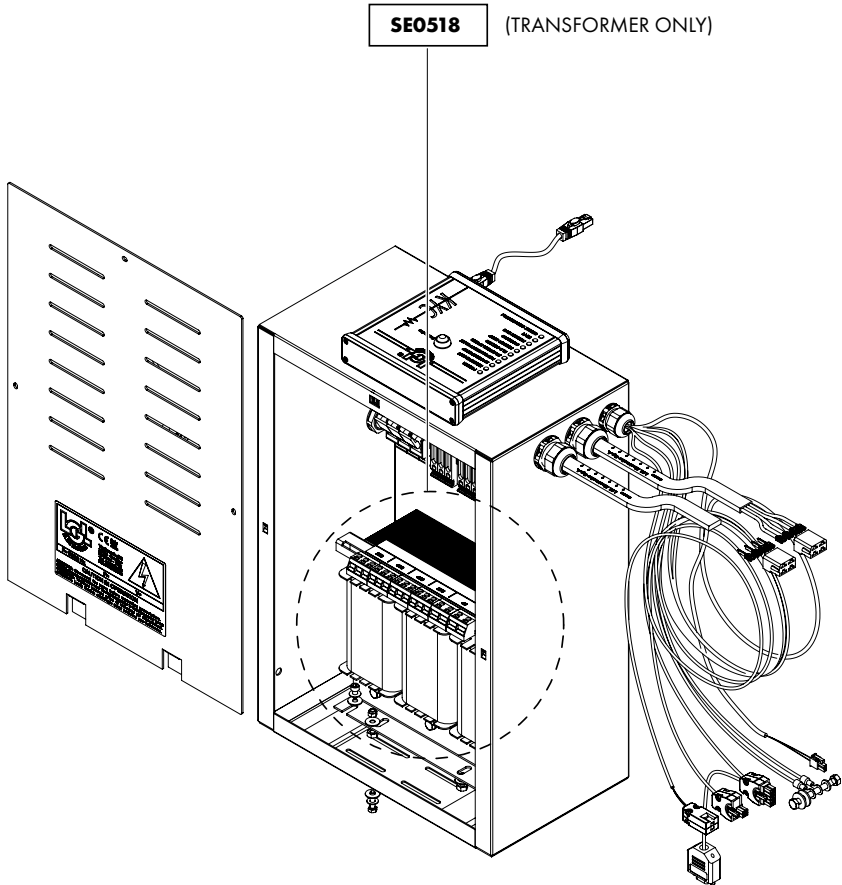


**A3N2S829**

DERIVATION KIT



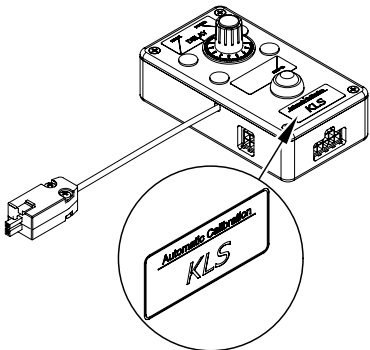
# EXPLODED VIEW - TAB. 7.2



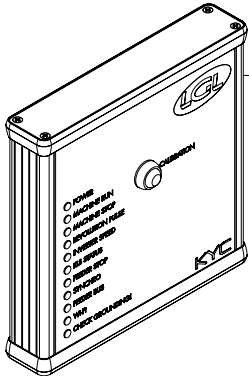
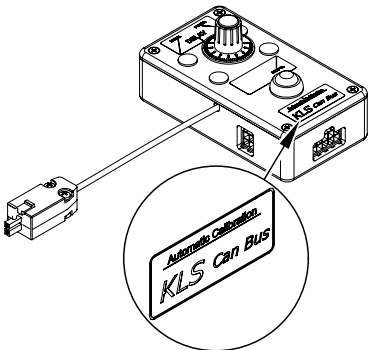


# EXPLODED VIEW - TAB. 8.1

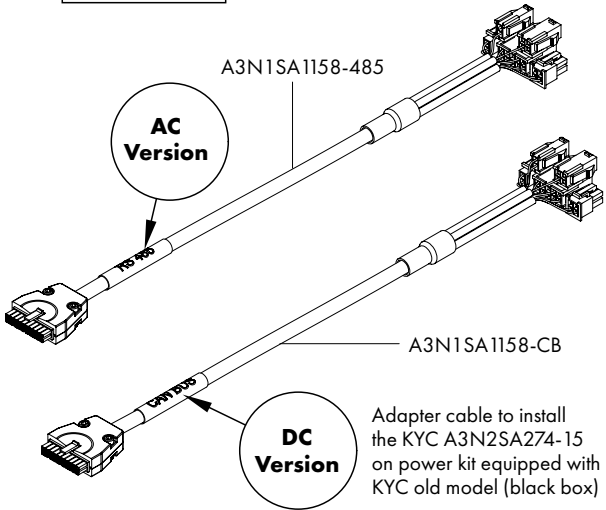
**KLS CONTROLLER  
A3N2SA149-485V0**



**KLS CAN BUS CONTROLLER  
A3N2SA149-CB**



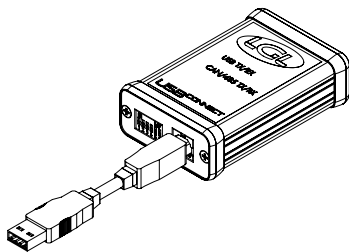
**KYC  
A3N2SA274-15**



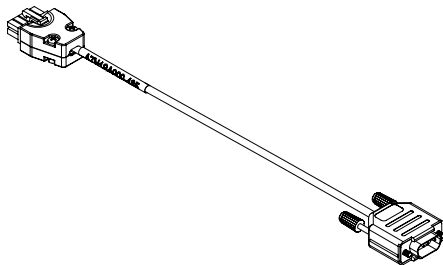
Adapter cable to install the KYC A3N2SA274-15 on power kit equipped with KYC old model (black box)

# EXPLODED VIEW - TAB. 8.2

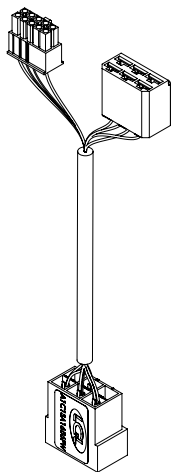
**USB CONNECT  
A3N2SA365-15**



**A7N1SA909-485**

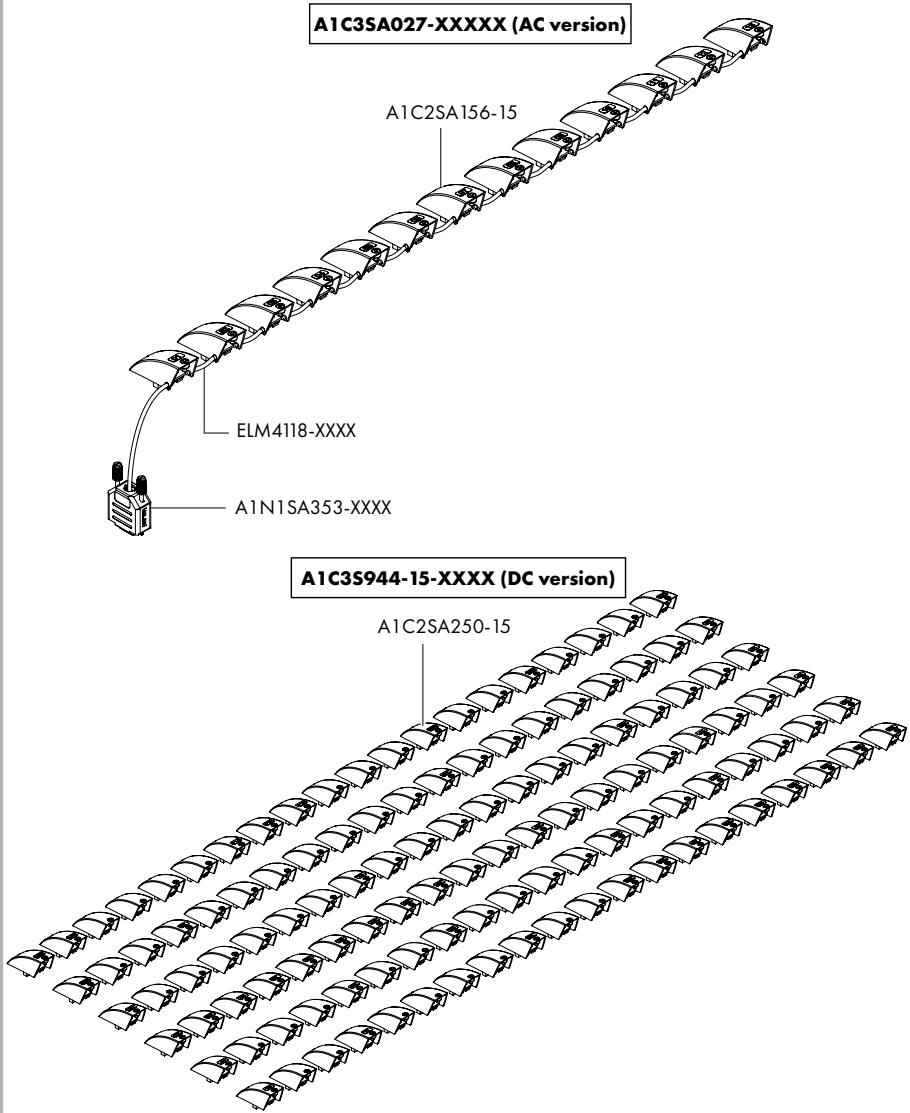


**A1C1SA1656PW**

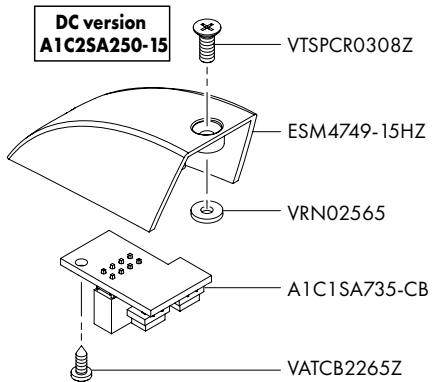
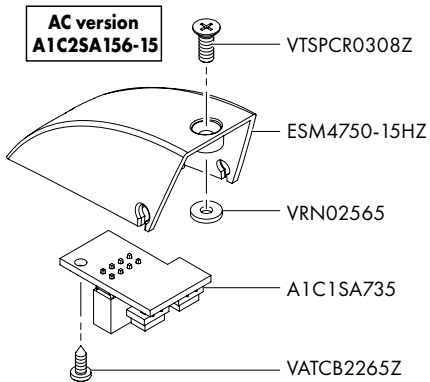


ECM6770 + USB

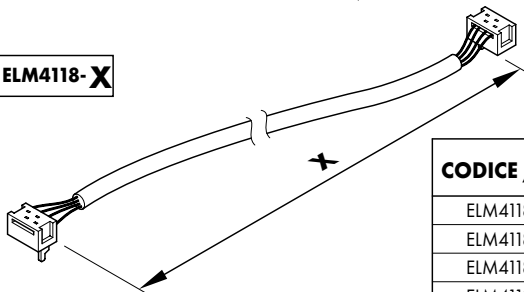
# EXPLODED VIEW - TAB. 9.1



# EXPLODED VIEW - TAB. 9.2

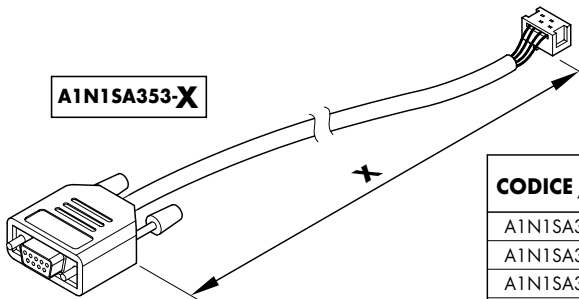


**ELM4118-X**



<b>CODICE / CODE</b>	<b>X</b>
ELM4118-0200	200
ELM4118-0500	500
ELM4118-1000	1000
ELM4118-1600	1600
ELM4118-2000	2000
ELM4118-3000	3000

**A1N1SA353-X**



<b>CODICE / CODE</b>	<b>X</b>
A1N1SA353-1500	1500
A1N1SA353-2000	2000
A1N1SA353-4000	4000
A1N1SA353-6000	6000

Lined writing area consisting of 20 horizontal lines.



---

---

---

---

---

---

---

---

---

---

---

---

---

---

---

---

---

---

---

---

---

---

---

---

---

---

---

---

---

---



L.G.L. Electronics S.p.A. reserve the right to alter in any moment one or more specifications of his machines for any technical or commercial reason without prior notice and without any obligation to supply these modifications to the machines, already installed.

T +39 035 733 408 **L.G.L. Electronics S.p.A.**  
F +39 035 733 146 Via Ugo Foscolo, 156  
lgI@gl.it 24024 Gandino (BG)  
www.lgl.it Italy