

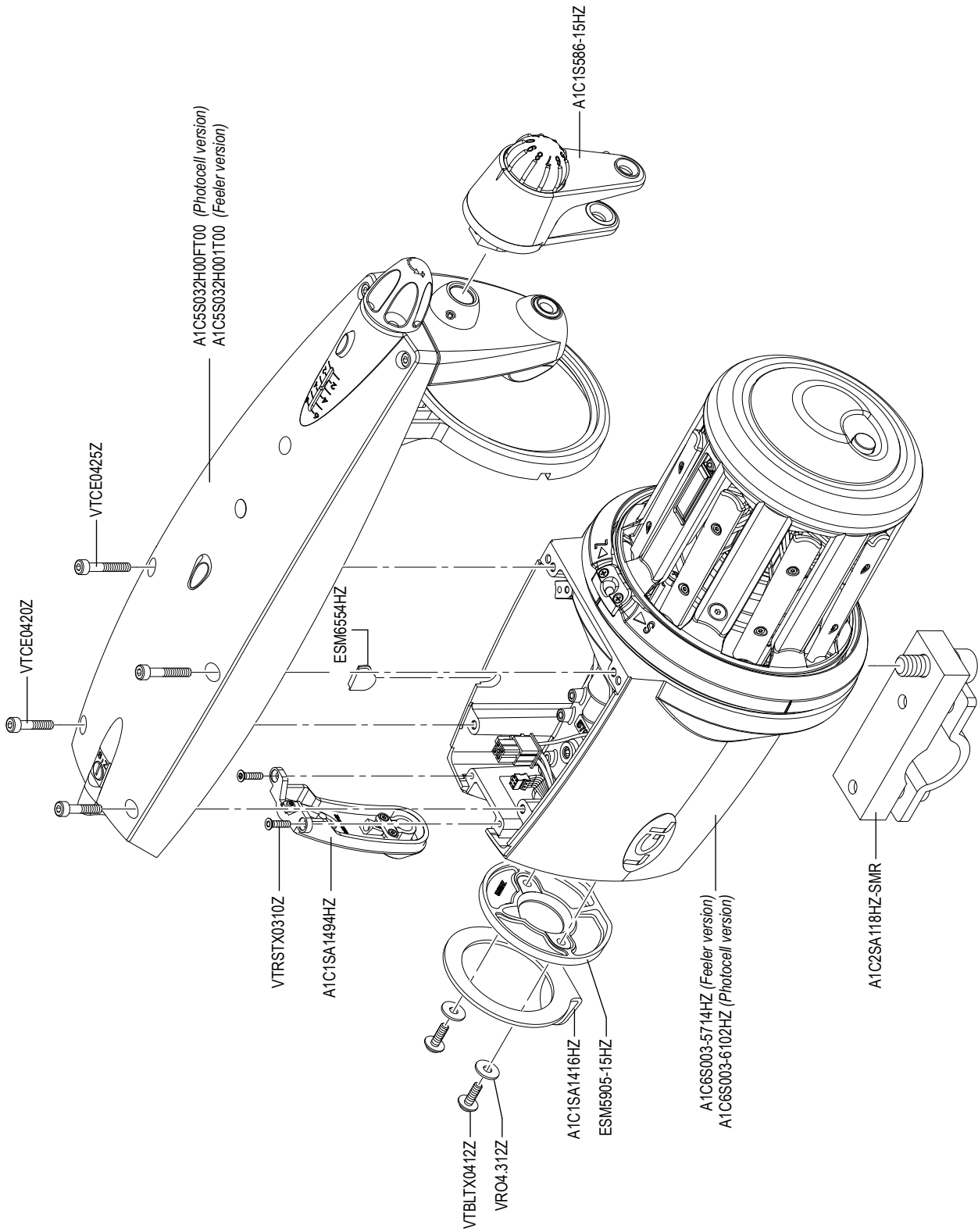


Rev. 1
01/20

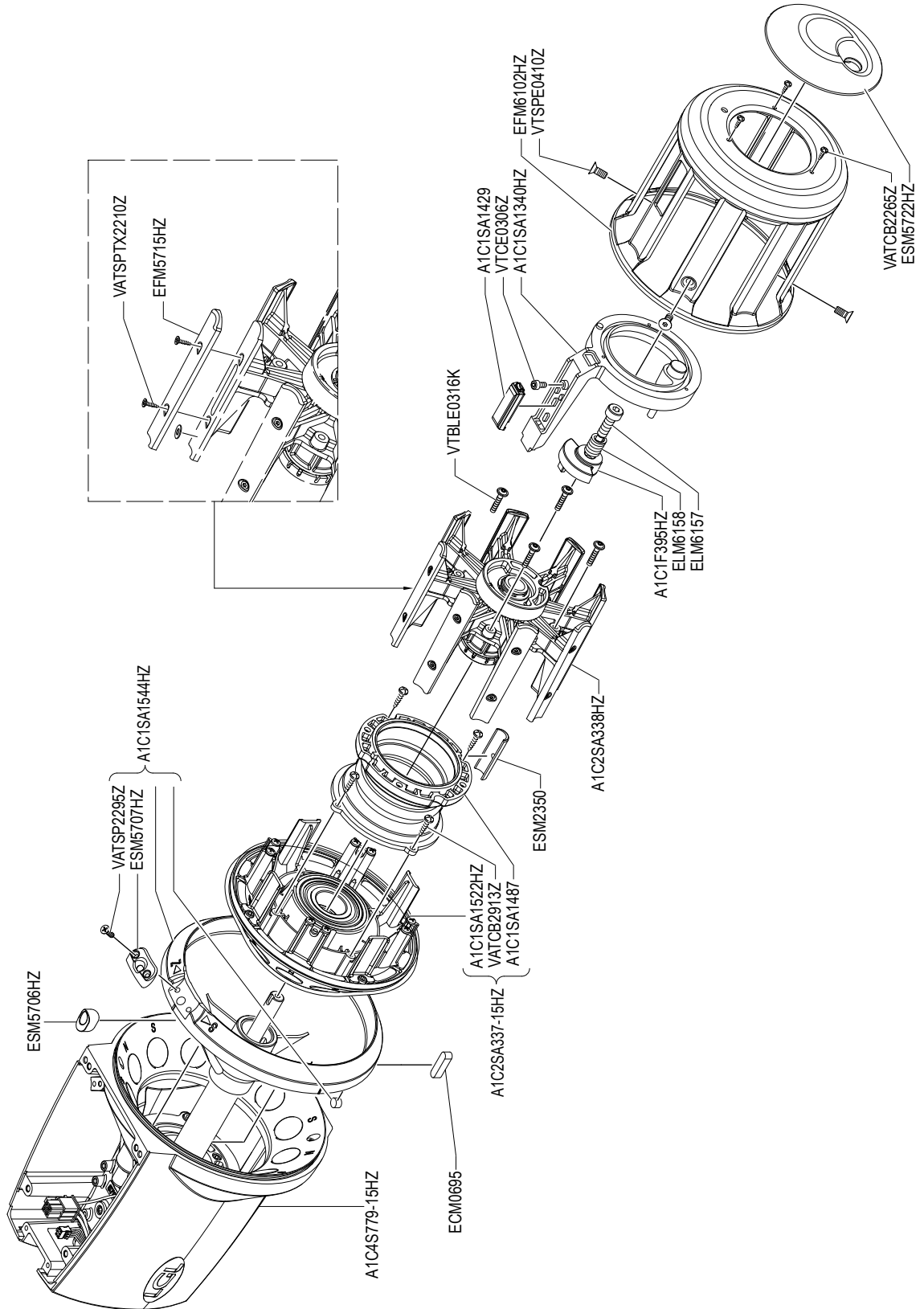
ECO WINDER

SPARE PARTS

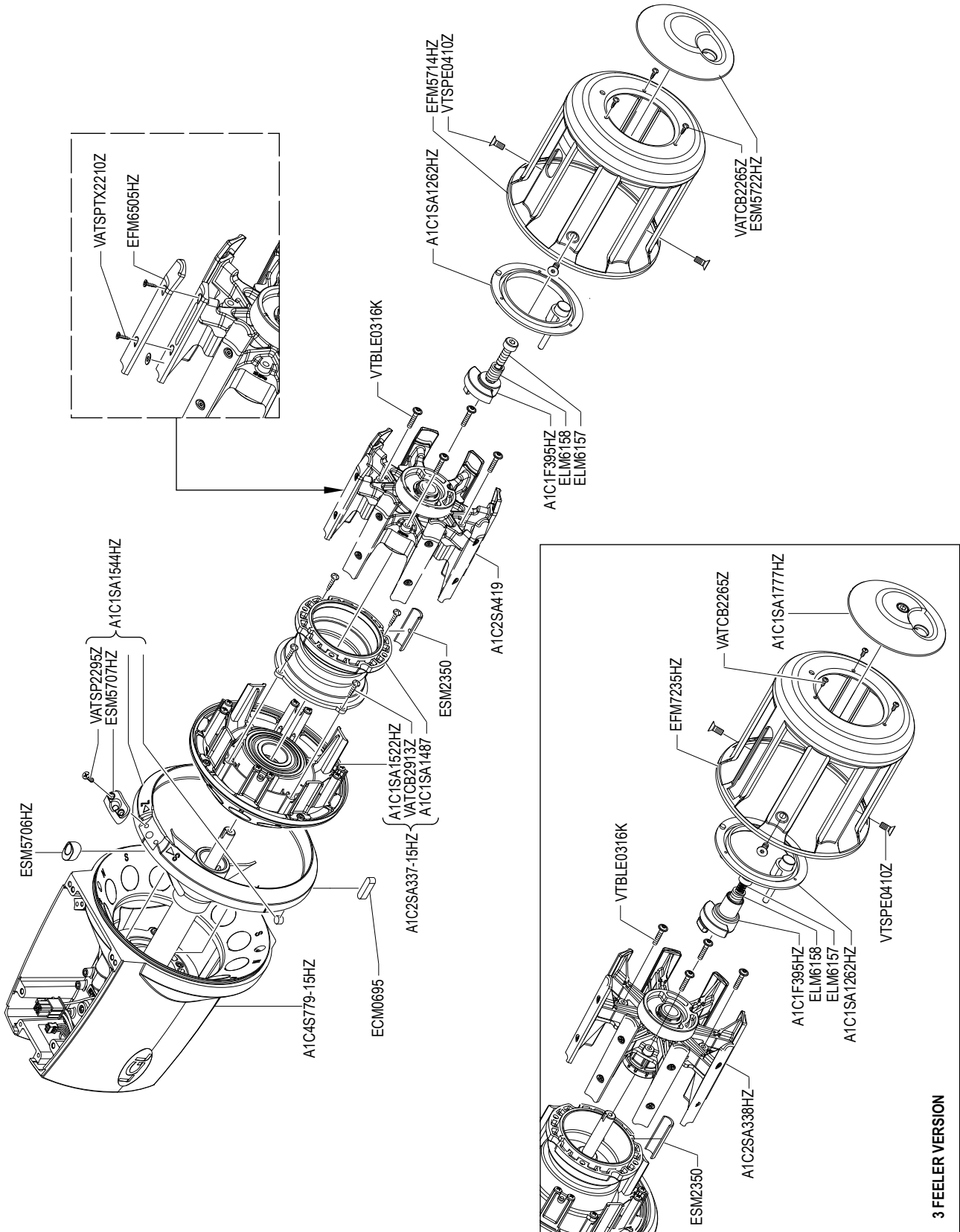
EXPLODED VIEW - TAB. 0



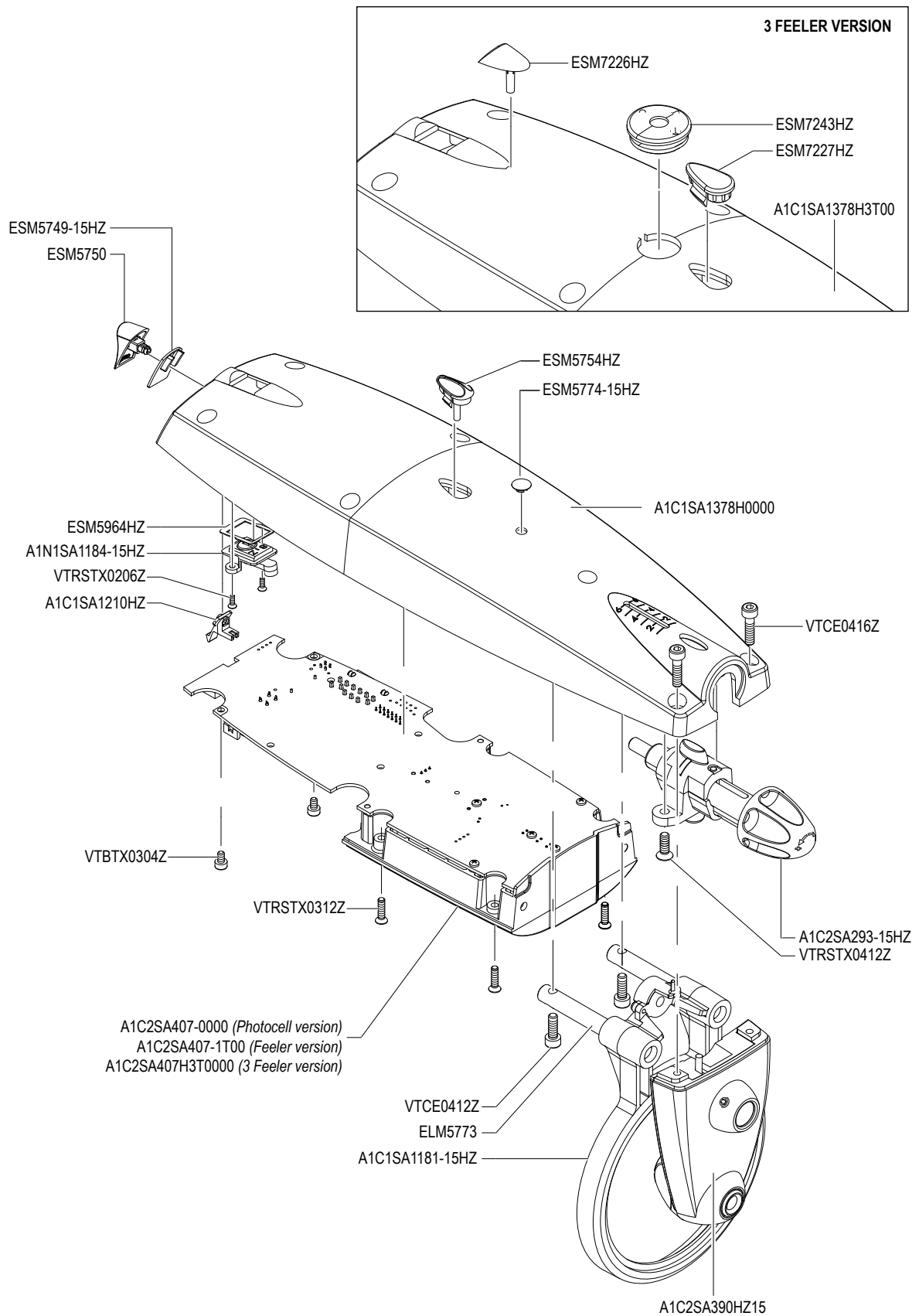
EXPLODED VIEW - TAB. 1/A - PHOTOCELL VERSION



EXPLODED VIEW - TAB. 1/B - FEELER VERSION



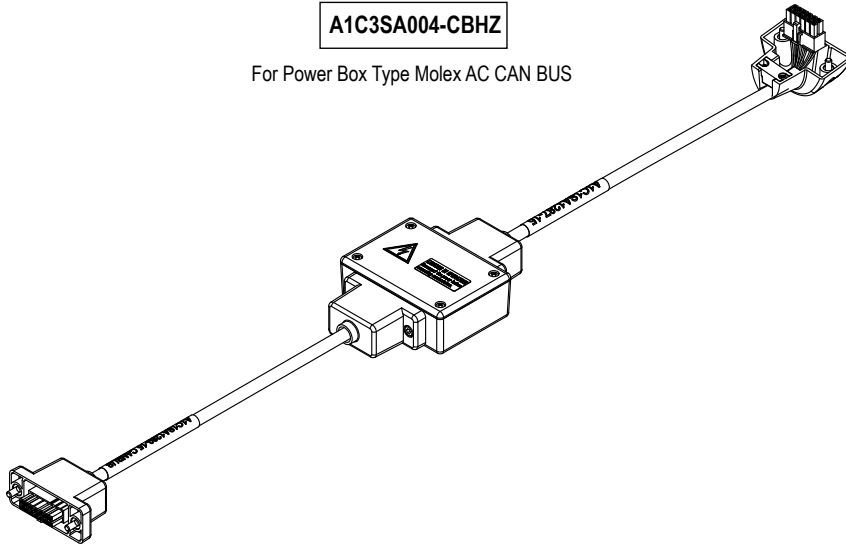
EXPLODED VIEW - TAB. 2 - PHOTOCELL AND FEELER VERSION



EXPLODED VIEW - TAB. 3 - CABLES

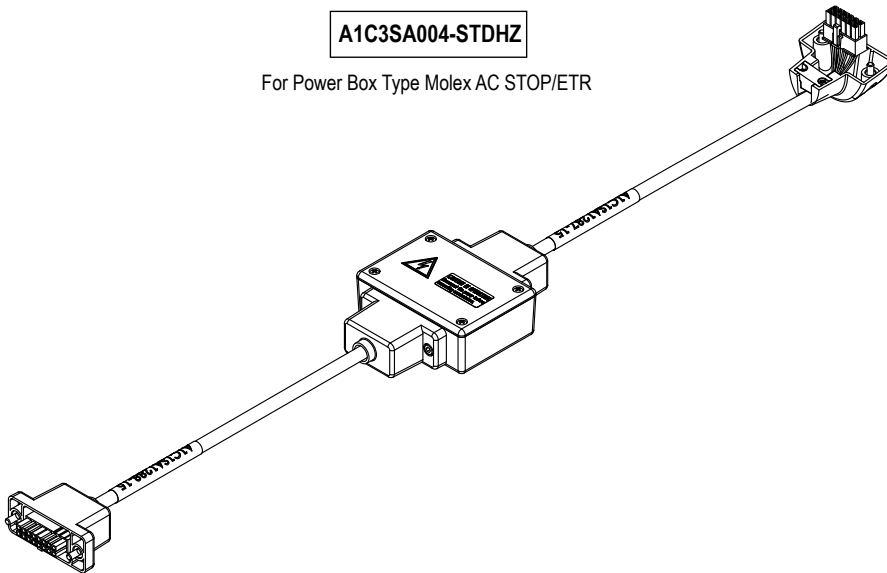
A1C3SA004-CBHZ

For Power Box Type Molex AC CAN BUS



A1C3SA004-STDHZ

For Power Box Type Molex AC STOP/ETR



A1C1SA1455-25HZ

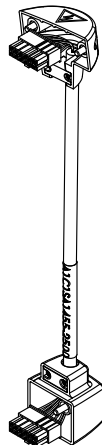
For DC Power Box

code:

A3N7S007xxxxxx

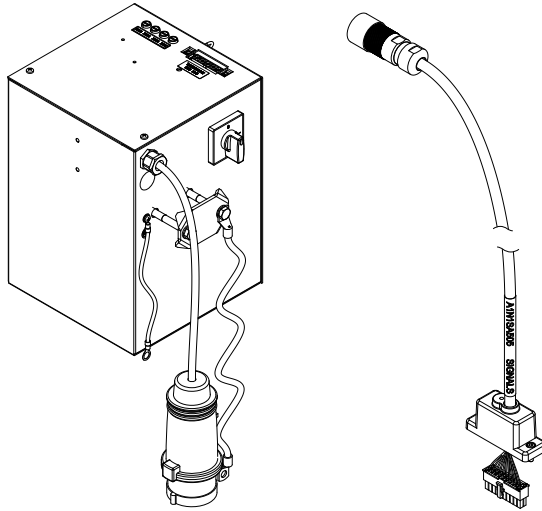
and

A3N7S008xxxxxx series



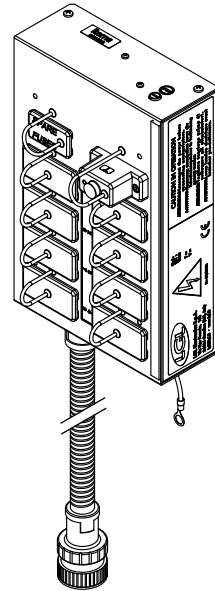
EXPLODED VIEW - TAB. 4

AC



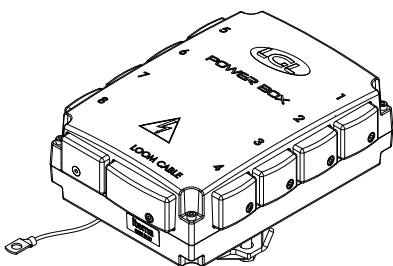
CUSTOMER	POWER BOX	SIGNAL CABLE	
DORNIER	A3N2S877-TT	A1N1SA505	
ITEMA	A3N2S883-TT	A1N1SA517	CAN BUS
	A3N2SA269-FA-TT	A1N1SA1341	NCP - ALPHA
	A3N2SA269-FA-TT	A1N1SA1113	NCP - R9500/SILVER 501
SULTEX	A3N2S908TT	A1N1SA567	
SMIT	A3N2S899-TT	A1N1SA552	

DC

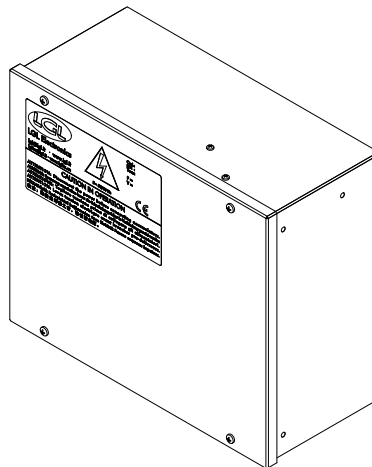


CUSTOMER	POWER BOX	SIGNAL CABLE
ITEMA	A3N2SA180HZ	INCLUDED IN POWER BOX
PICANOL	A3N2SA113-PC	A1N1SA374
SMIT	A3N3SA040-ST	A1N1SA552

DC NEW VERSION



A3N7S007SMALLPRHZ
A1C2SA446PR-CBPWHZ (SIGNAL CABLE)



A3N7S008HZ00004 (4 pos.)
A3N7S008HZ00008 (8 pos.)

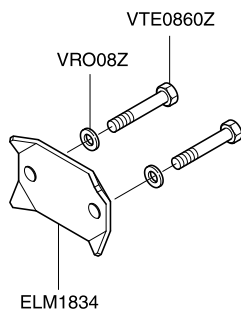
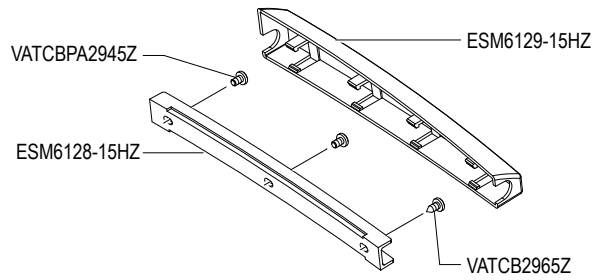


A1C1SA1521-30HZ (Loom STOP Cable)

EXPLODED VIEW - TAB. 5

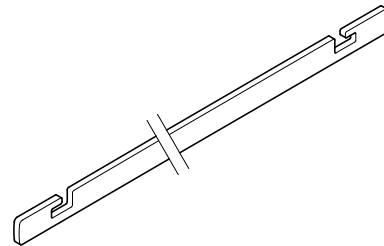
A1C1SA1486-15

COVER FOR EXTERNAL CABLE



A2N1S285HZ

Power control box installation kit



Weft taker

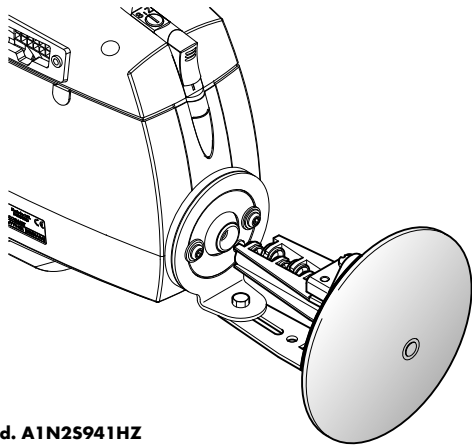
cod. ESM1224A



Rev. 1
01/20

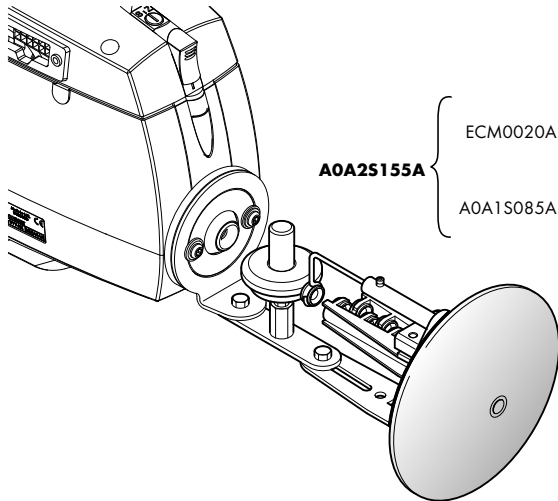
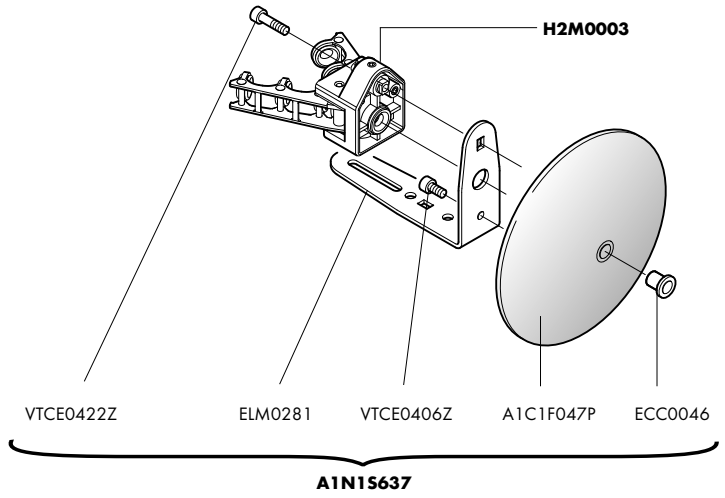
ECO WINDER
ACCESSORIES

INPUT TENSIONERS



cod. **A1N2S941HZ**

Compensator tensioner



Waxing unit + compensator

AOA2S155A

ECM0020A

AOA1S085A

HZM0005

ECC0013

ECC0014

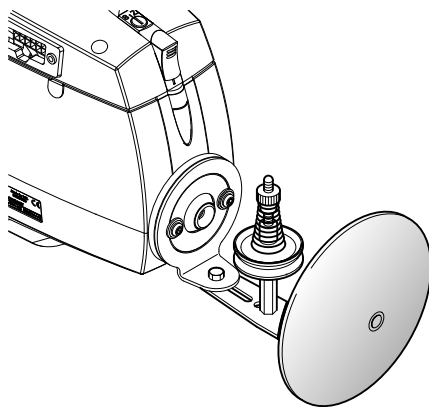
ELM0281

VTCE0406Z

A1C1F047P

ECC0046

A1N1S637



cod. **A1N2S942**

Disk tensioner for pneumatic threading

A1N1SA058

VMT104206

VTCE0410Z

VTCE0406Z

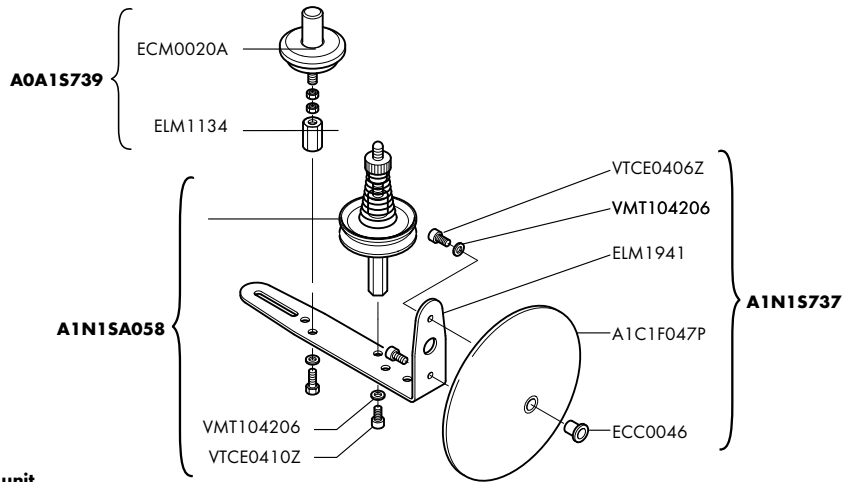
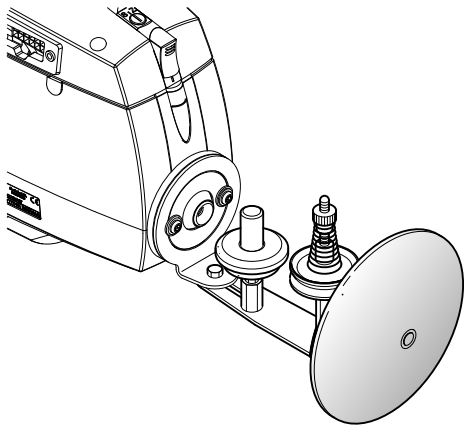
ELM0281

A1C1F047P

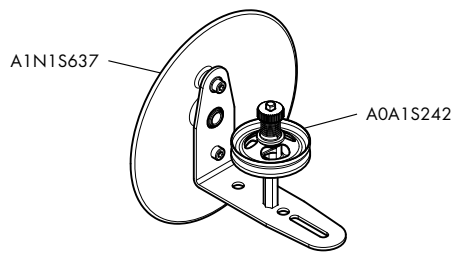
ECC0032

A1N1SA637

INPUT TENSIONERS

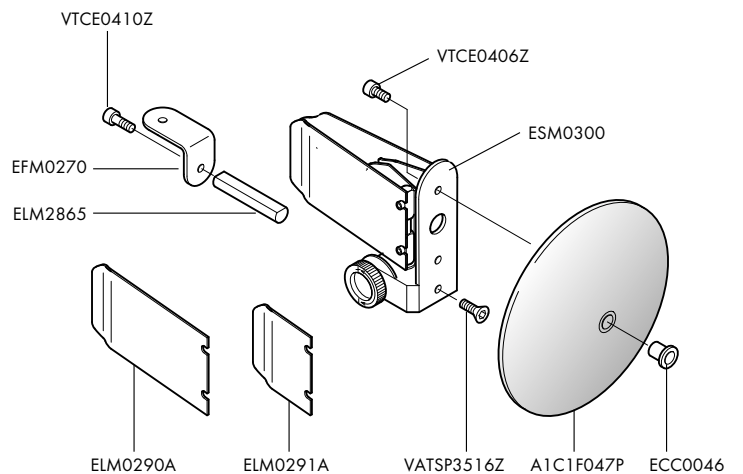
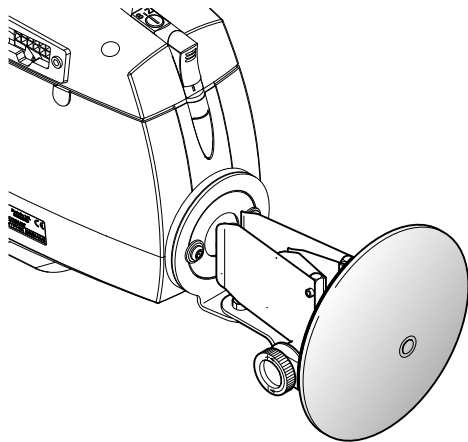


Disk tensioner for pneumatic threading with waxing unit



cod. A1N2SA066

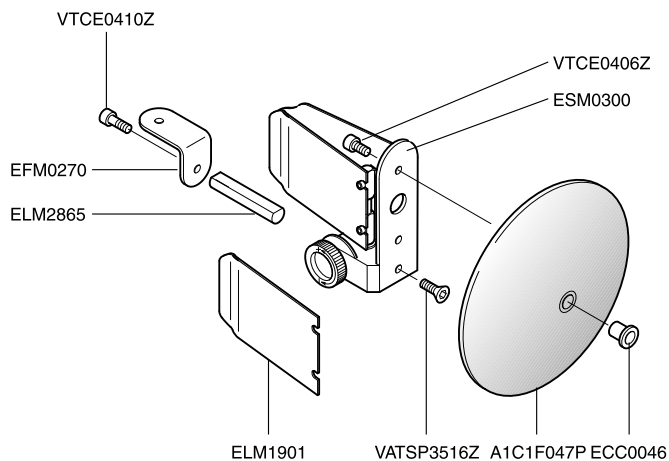
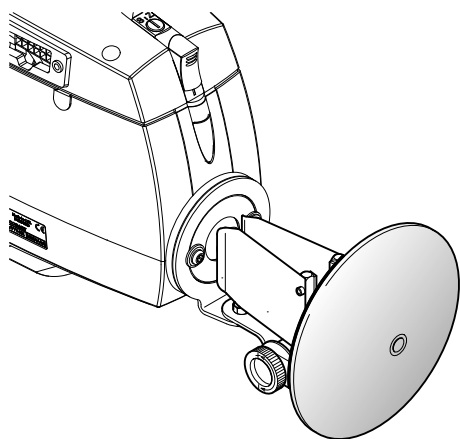
Disk tensioner for pneumatic threading



cod. AOA2S584

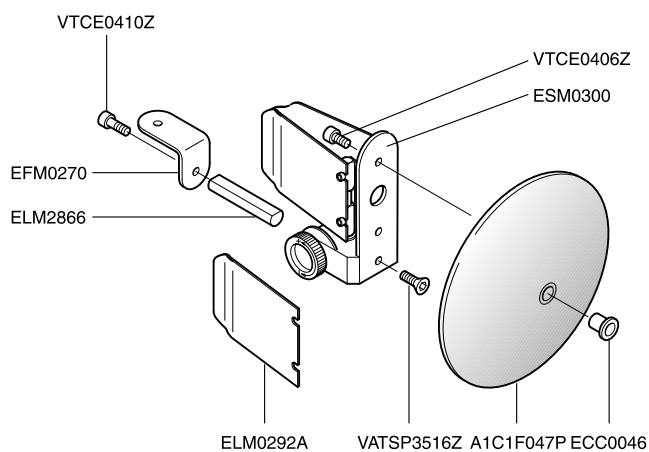
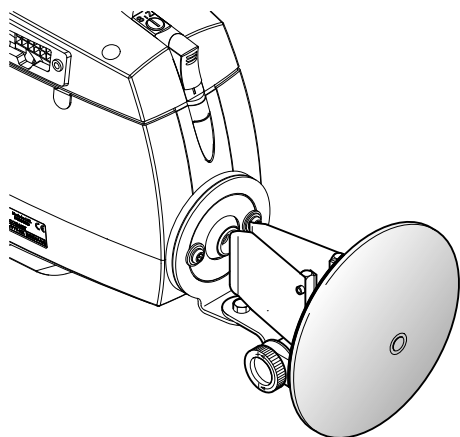
Standard leaf tensioner

INPUT TENSIONERS



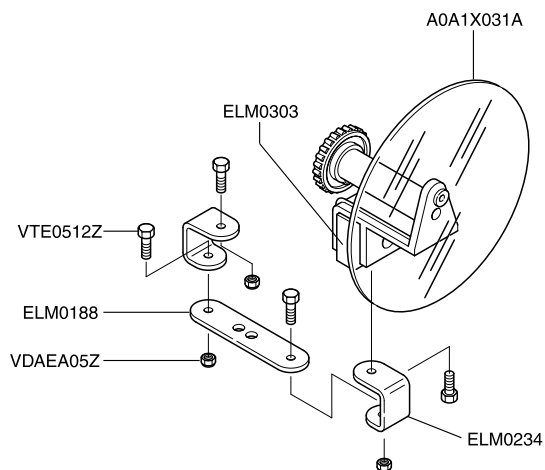
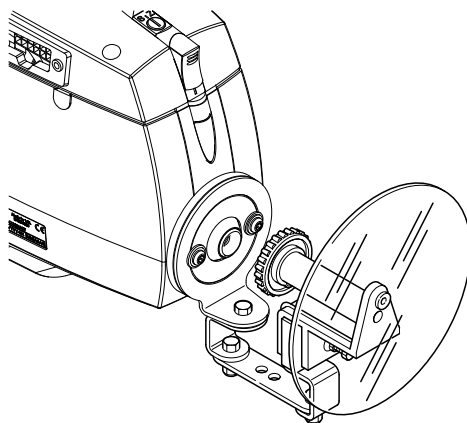
cod. A0A25600

Leaf tensioner



cod. A0A25392HZ

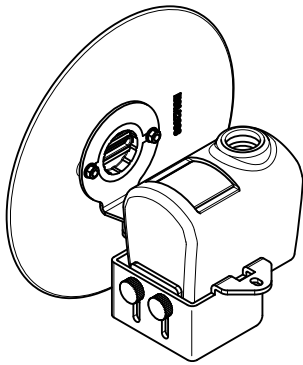
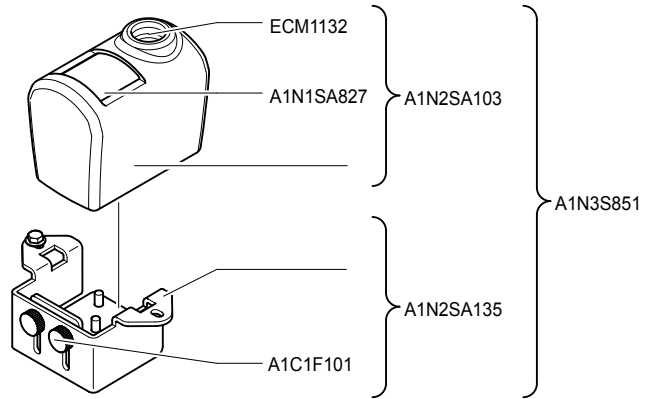
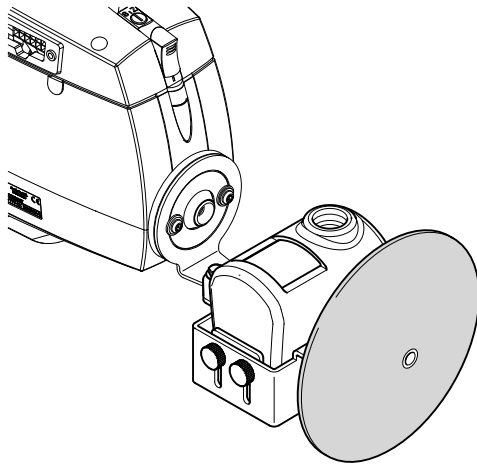
Leaf tensioner



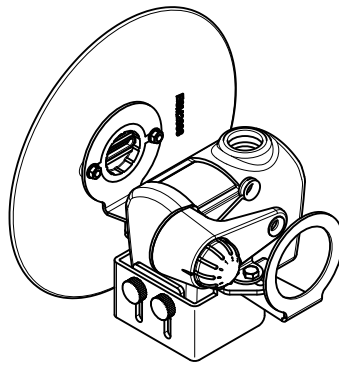
cod. A0A25157A

Anti-snarling unit

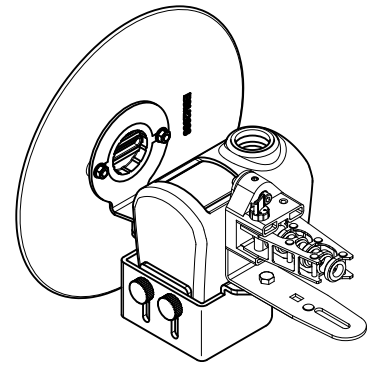
OILING UNITS



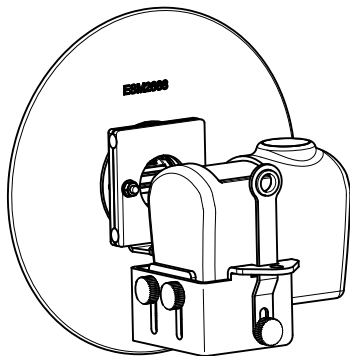
ANTIBALLON VERSION
cod. A1N2SA104



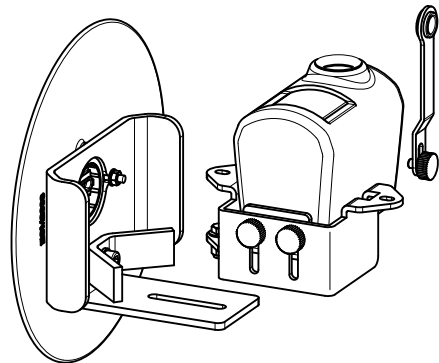
ANTIBALLON + RECUPERATOR VERSION
cod. A1N3S829



ANTIBALLON + COMPENSATOR VERSION
cod. A1N3S847

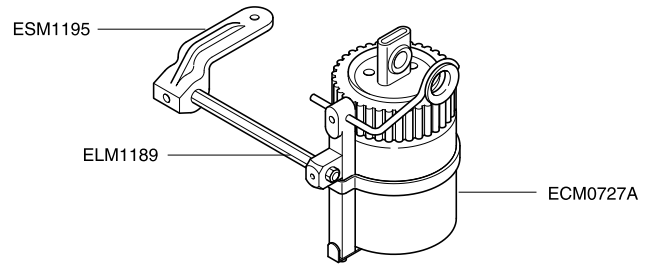
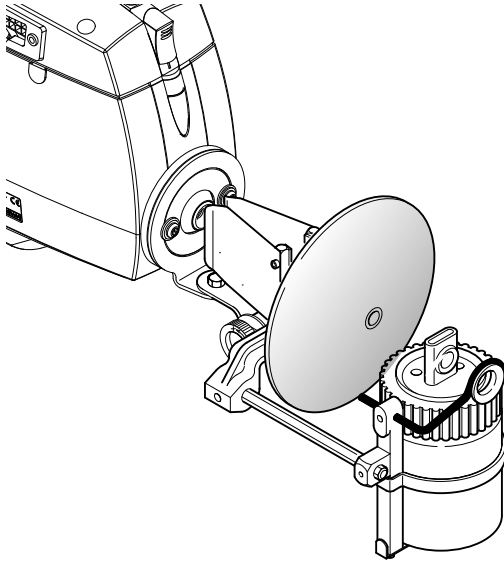


HORIZONTAL CREELS VERSION
cod. A1N3S853

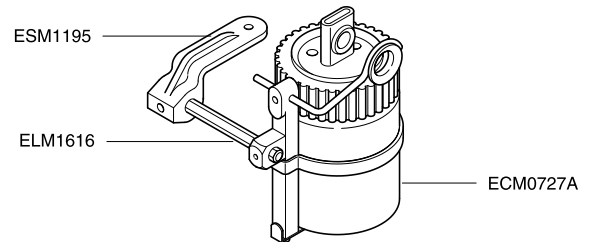
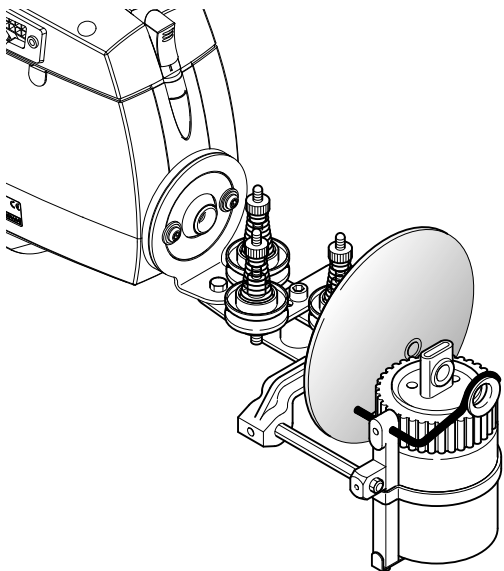


VERTICAL CREELS VERSION
cod. A1N4S727

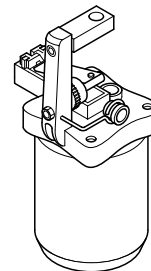
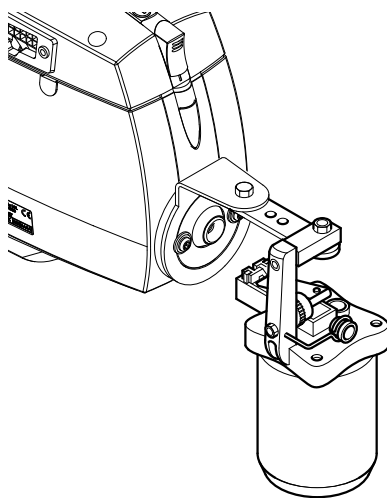
OILING UNITS



cod. AOA15318
Oiling unit for leaf tensioner

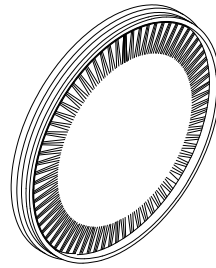
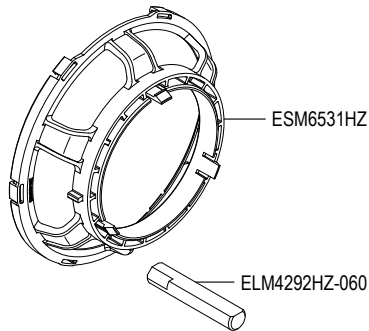


cod. AOA15092
Oiling unit OT-23



cod. AOA15A263
Waxing unit Kombi Lubre

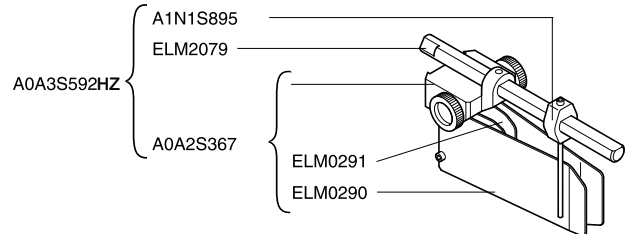
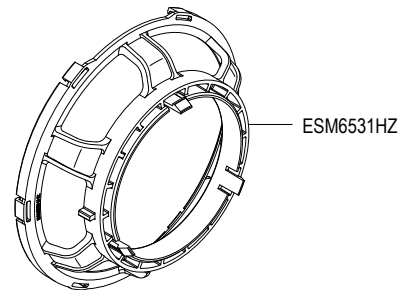
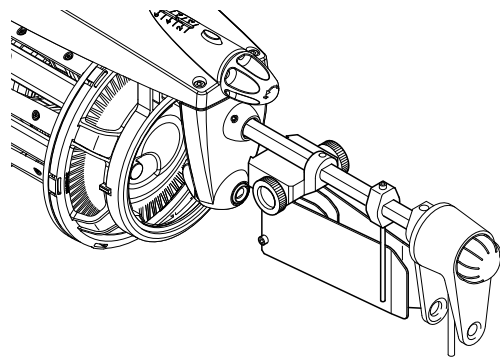
OUTPUT TENSIONERS



BRISTLE BRUSHES			
BRISTLE TYPE	Code "S" twist	Code "Z" twist	Code RADIAL
Nylon 0,30	A1C1F374	A1C1F375	A1C1F381
Nylon 0,20	A1C1F372	A1C1F373	A1C1F380
Chinese mane	A1C1F376	A1C1F377	A1C1F382
Goat hair	A1C1F378	A1C1F379	A1C1F383

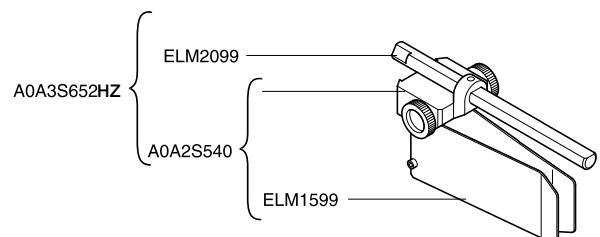
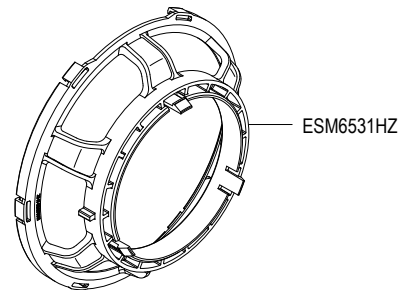
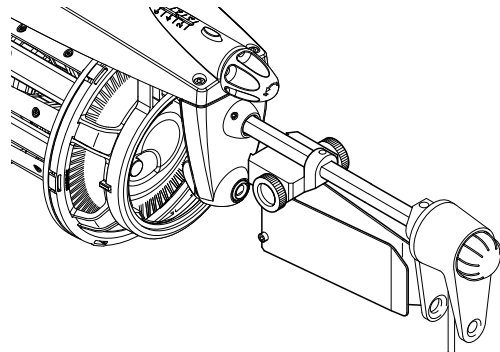
cod. A0A1S997-SME

Bristle brush installation kit



cod. A0A4S664-WIE

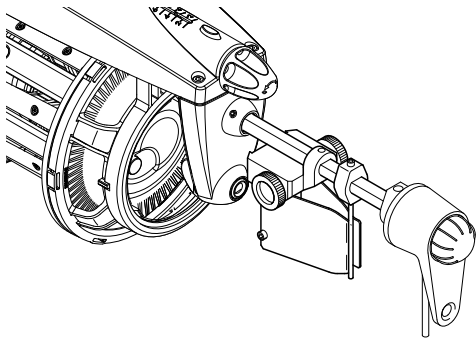
Installation kit for bristle brush with standard leaf tensioner



cod. A0A4S671-WIE

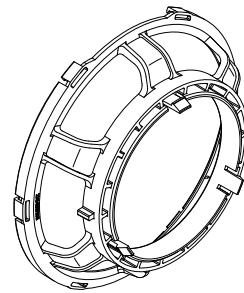
Installation kit for bristle brush with long lamella leaf tensioner

OUTPUT TENSIONERS

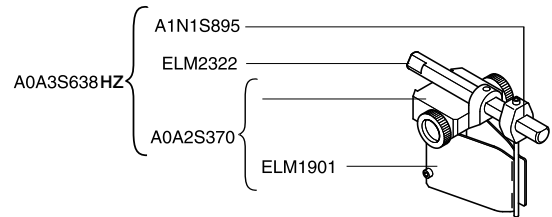


cod.A0A4S668-WIE

Installation kit for bristle brush with medium lamella leaf tensioner



ESM6531HZ



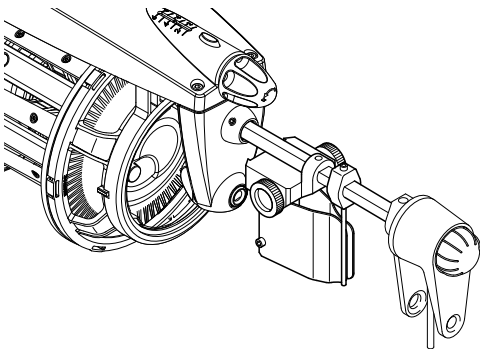
A0A3S638HZ

A1N1S895

ELM2322

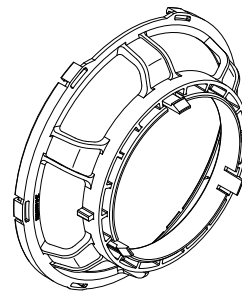
A0A2S370

ELM1901

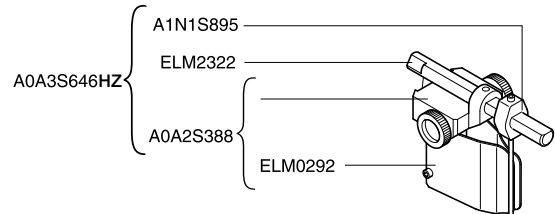


cod.A0A4S669-WIE

Installation kit for bristle brush with bent lamella leaf tensioner



ESM6531HZ



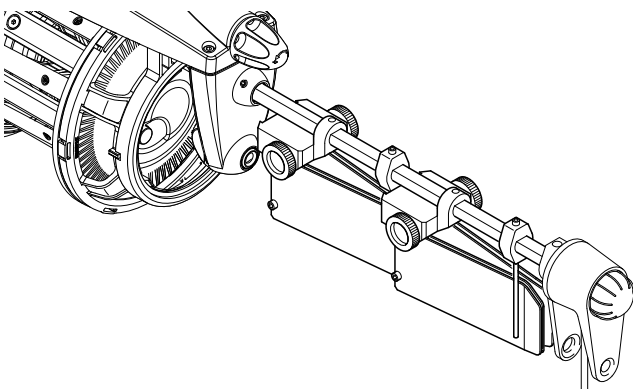
A0A3S646HZ

A1N1S895

ELM2322

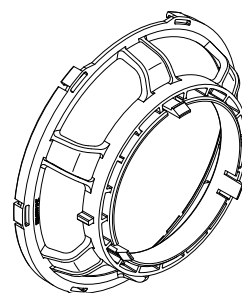
A0A2S388

ELM0292

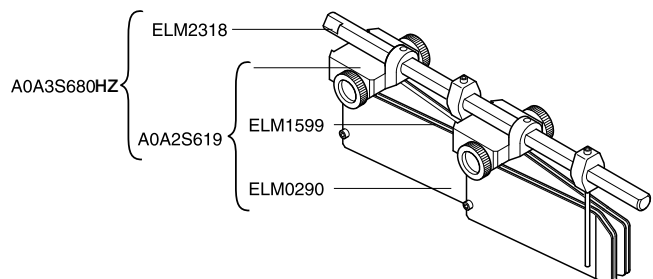


cod. A0A4S676-WIE

Installation kit for bristle brush with 2 double long lamella leaf tensioners



ESM6531HZ



A0A3S680HZ

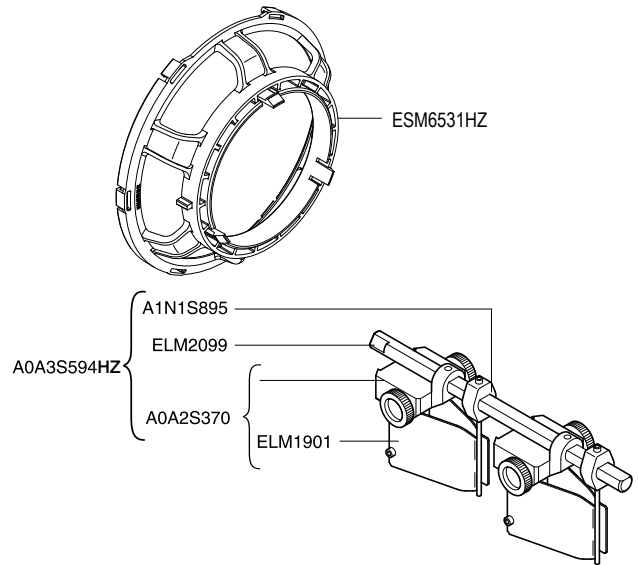
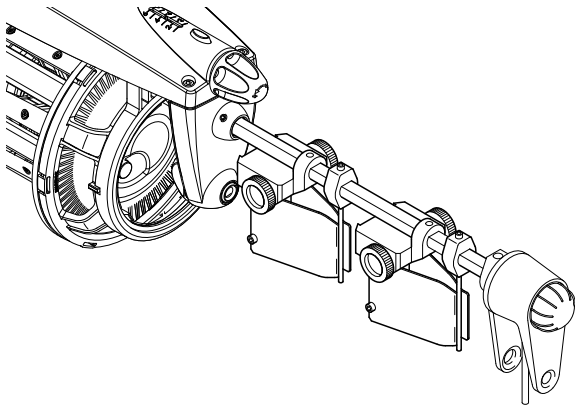
ELM2318

A0A2S619

ELM1599

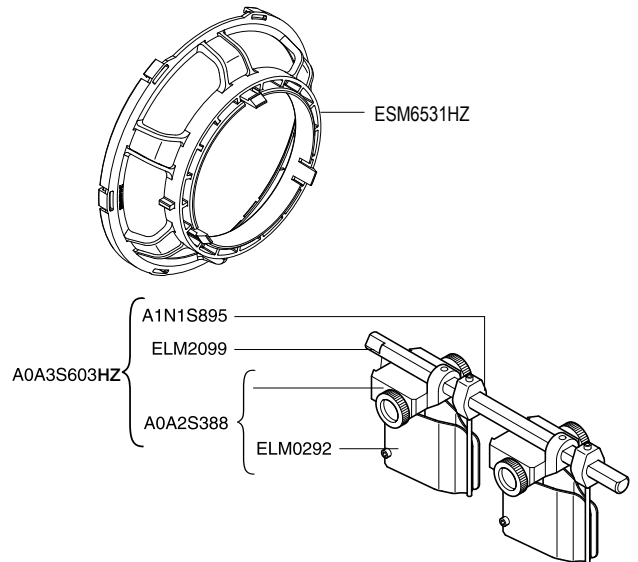
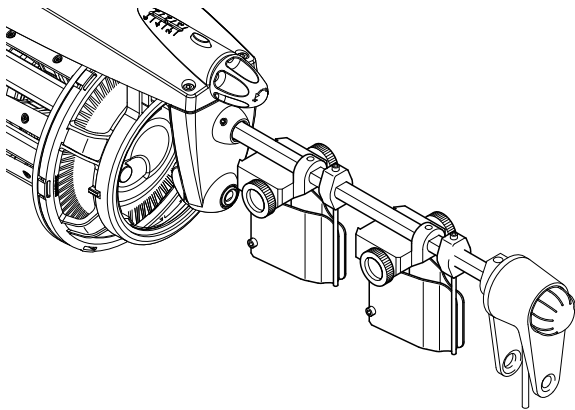
ELM0290

OUTPUT TENSIONERS



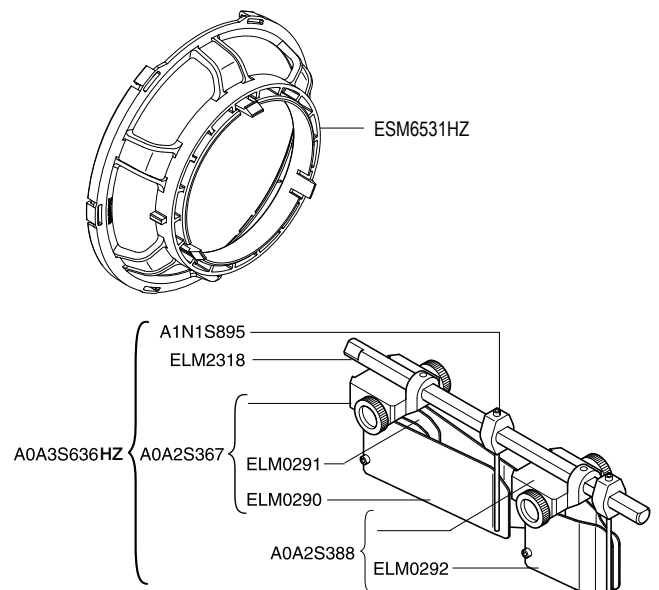
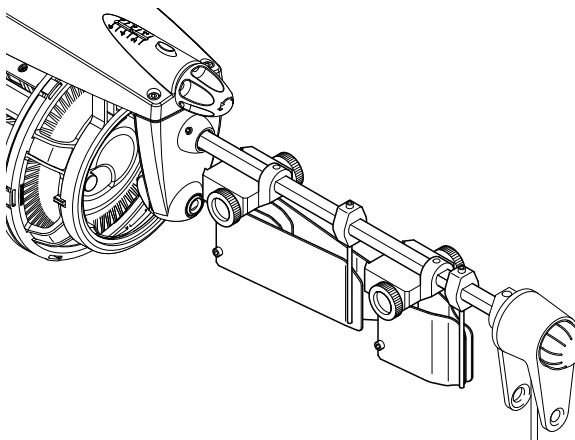
cod. A0A45665-WIE

Installation kit for bristle brush with 2 medium lamella leaf tensioners



cod. A0A45666-WIE

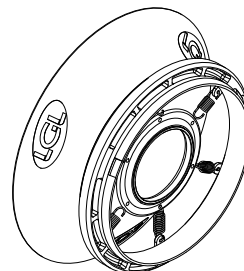
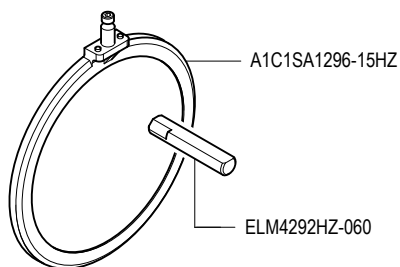
Installation kit for bristle brush with 2 bent lamella leaf tensioners



cod. A0A45667-WIE

Installation kit for bristle brush with standard leaf tensioner + 1 bent lamella leaf tensioners

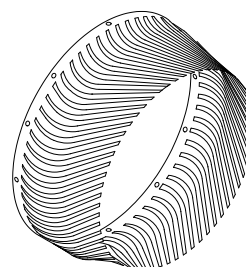
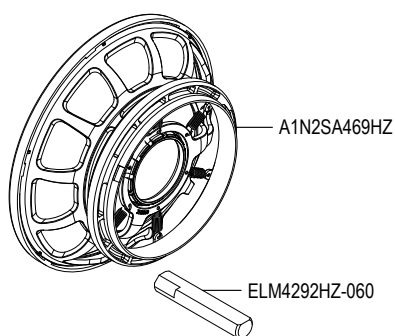
OUTPUT TENSIONERS



TWM BRAKE	
TWM TYPE	Code
LT10-SM	A1C4S774LT10SM
LT05-SM	A1C4S774LT05SM
KL-SM	A1N2SA348KL02P
K-SM	A1N2SA348K002P
4KR20-SM	A1N2SA387-4KR20
6KR40-SM	A1N2SA387-6KR40

cod. **A1C2SA384-15HZ**

Installation kit for TWM tension modulator

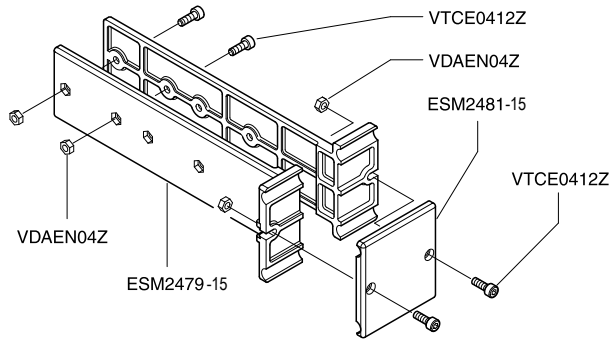


LAMINA BRUSHES	
LAMINA TYPE	Code
Type B10	ELM6931
Type B15	ELM6932
Type B20	ELM6933

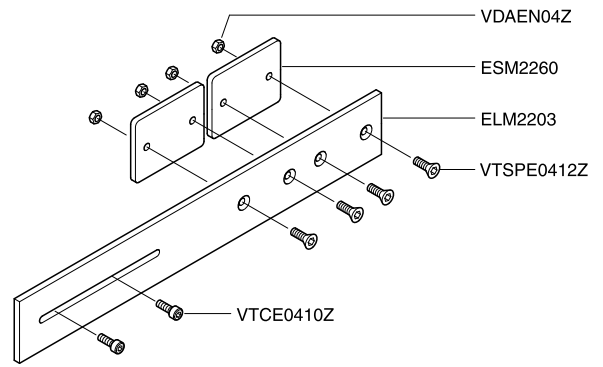
cod. **A1N3SA069HZ**

Metal brush installation kit

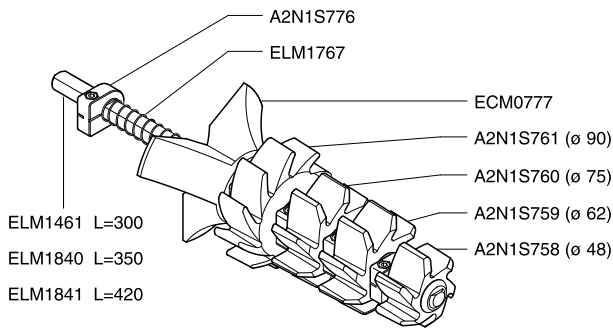
CREEL



A2N1SA144

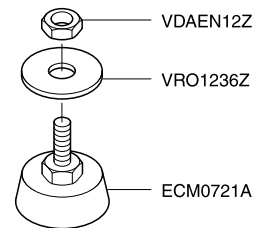


A2N1S801

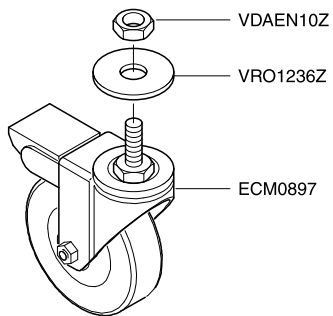


A2N1S368

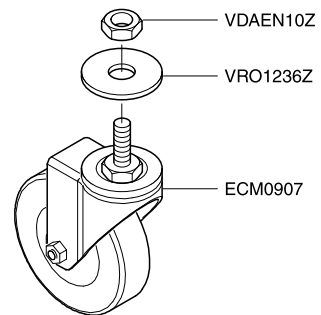
FOOT



VERTICAL CREEL WHEELS

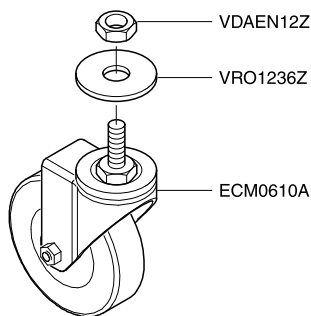


A2N1S777

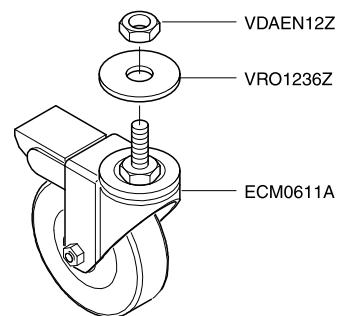


A2N1S841

HORIZONTAL CREEL WHEELS



A2N1S253



A2N1S254



L.G.L. Electronics (Hangzhou) CO.Ltd.

Building 17, 189 Hongcan Road, Hongken Nongchang,
Economic Development Zone, Xiaoshan District, Hangzhou, Zhejiang
T: +86-571-82877258
F: +86-571-828772
Email: lgzhz@lgl.it

爱吉尔电子(杭州)有限公司

浙江省杭州市萧山区经济技术开发区红垦农场红灿路189号17幢
电话: +86 0571-82877258
传真: +86 0571-82877268
邮箱: lgzhz@lgl.it

L.G.L. Electronics (Hangzhou) Co.,Ltd. FOSHAN Branch

52-54 Jin Hong Street, Textile City, Xiqiao Town,
Nanhai District, Foshan, Guangdong
T: +86-757-86819435
F: +86-757-86898258
Email: yli@lgl.it

爱吉尔电子(杭州)有限公司佛山分公司

广东省佛山市南海区西樵轻纺城锦虹街52-54号
电话: +86-757-86819435
传真: +86-757-86898258
邮箱: yli@lgl.it

L.G.L. Electronics (Hangzhou) Co.,Ltd. - SHANTOU service station

A2108, Building 15, Dongsheng New World, Gurao Town,
Chaoyang District, Shantou City, Guangdong Province, China
T: +86-757-86819435
F: +86-757-86898258
Email: yli@lgl.it

爱吉尔电子(杭州)有限公司 - 汕头服务点

中国广东省汕头市潮阳区谷饶镇东升新世界15栋A2108
电话: +86-757-86819435
传真: +86-757-86898258
邮箱: yli@lgl.it

L.G.L. Electronics S.p.A. reserve the right to alter in any moment one or more specifications of his machines for any technical or commercial reason without prior notice and without any obligation to supply these modifications to the machines, already installed.